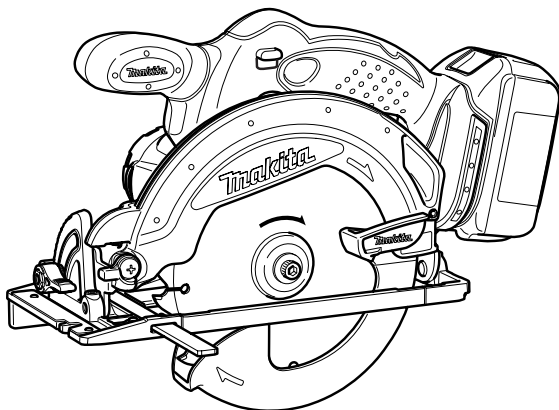
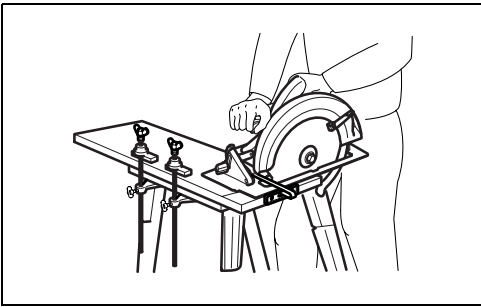




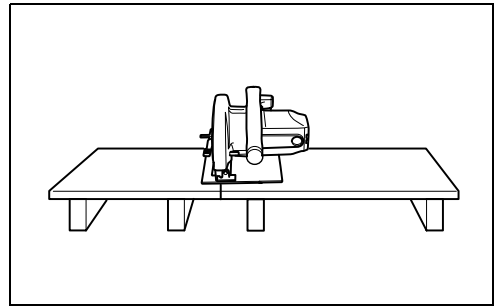
<b>GB</b>	<b>Cordless Circular Saw</b>	<b>Instruction manual</b>
<b>F</b>	<b>Scie circulaire sans fil</b>	<b>Manuel d'instructions</b>
<b>D</b>	<b>Akku-Kreissäge</b>	<b>Betriebsanleitung</b>
<b>I</b>	<b>Sega circolare a batteria</b>	<b>Istruzioni per l'uso</b>
<b>NL</b>	<b>Accucirkelzaag</b>	<b>Gebruiksaanwijzing</b>
<b>E</b>	<b>Sierra circular sin cable</b>	<b>Manual de instrucciones</b>
<b>P</b>	<b>Serra circular sem fios</b>	<b>Manual de instruções</b>
<b>DK</b>	<b>Ledningsfri rundsav</b>	<b>Brugsanvisning</b>
<b>S</b>	<b>Sladdlös cirkelsåg</b>	<b>Bruksanvisning</b>
<b>N</b>	<b>Batteridrevet sirkelsag</b>	<b>Bruksanvisning</b>
<b>SF</b>	<b>Akkukäyttöinen pyörösaha</b>	<b>Käyttöohje</b>
<b>GR</b>	<b>Φορητό διακοπρίονο</b>	<b>Οδηγίες χρήσης</b>

## **BSS610**

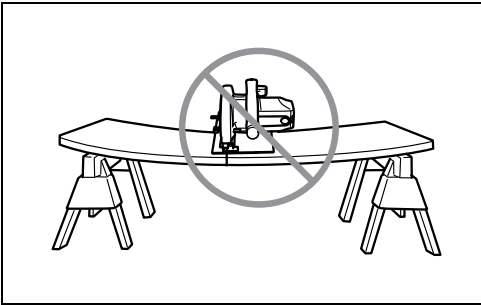




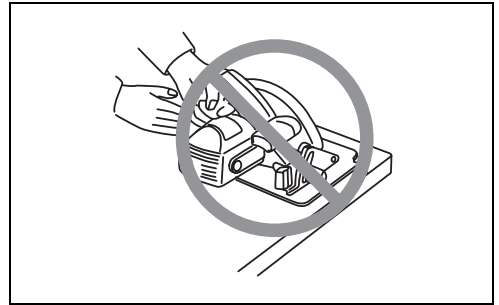
1



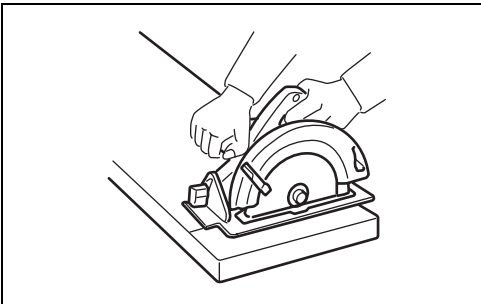
2



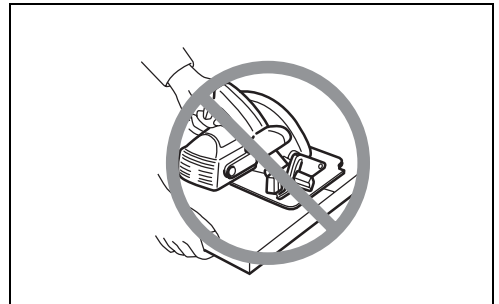
3



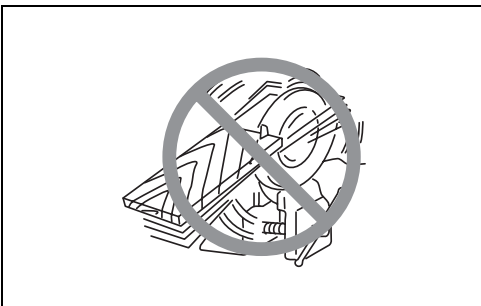
4



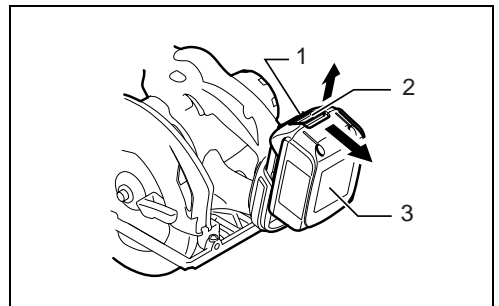
5



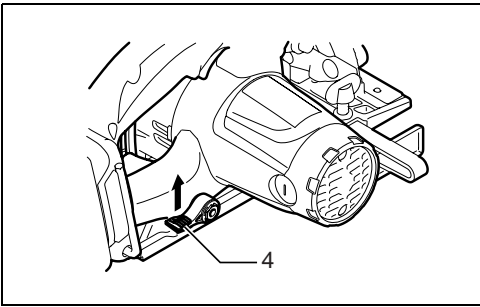
6



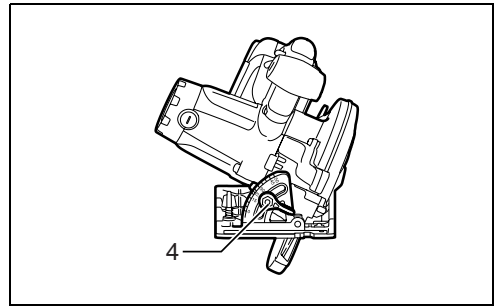
7



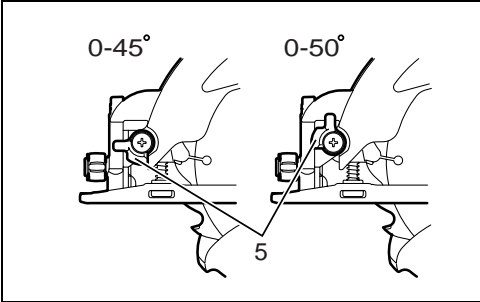
8



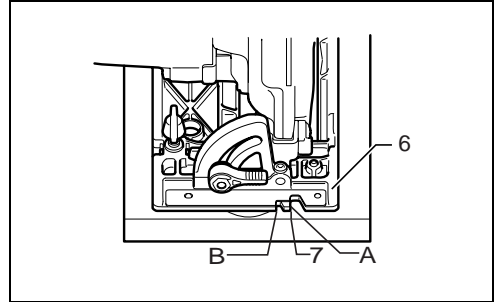
9



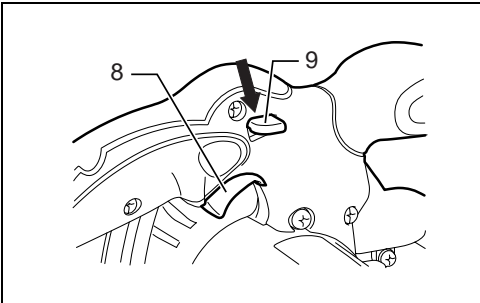
10



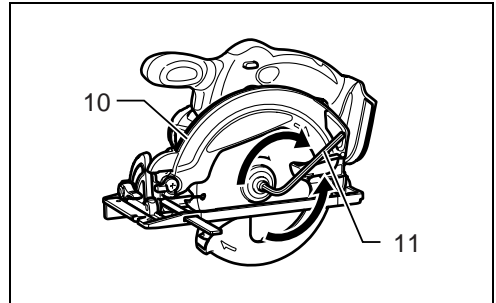
11



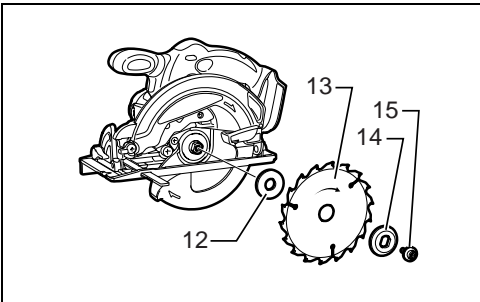
12



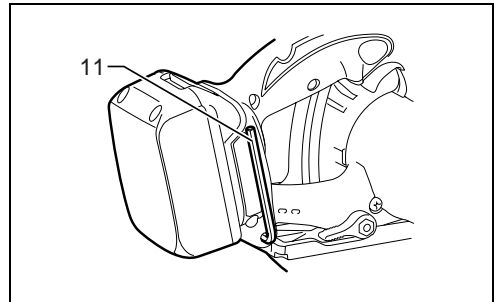
13



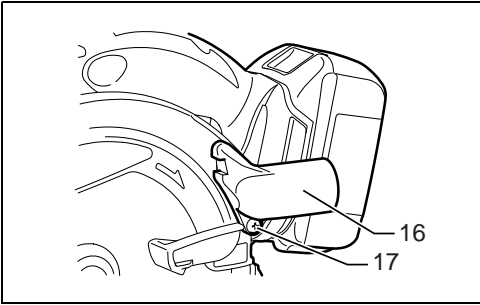
14



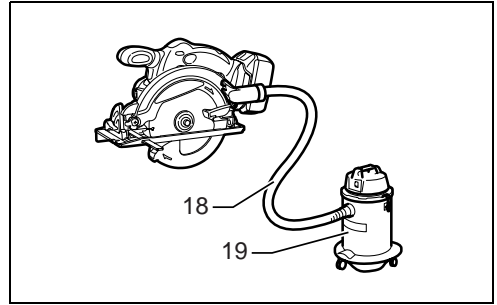
15



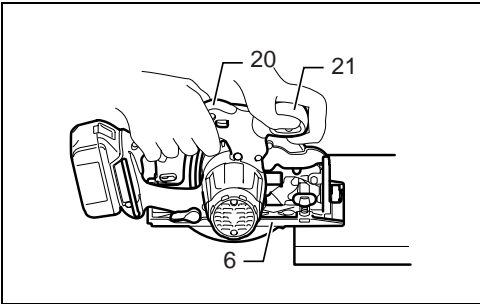
16



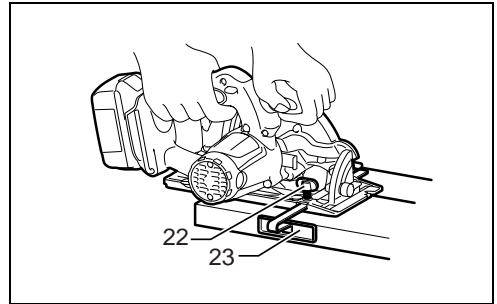
17



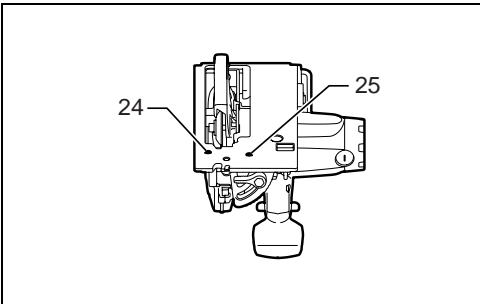
18



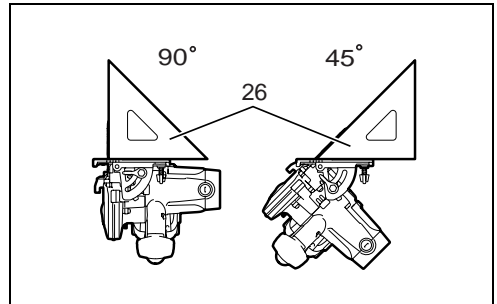
19



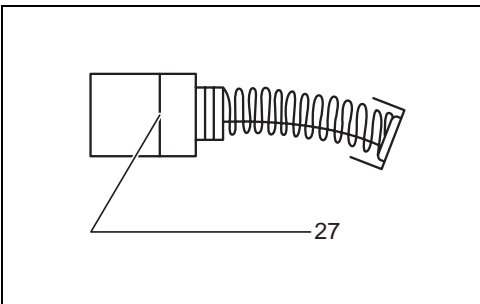
20



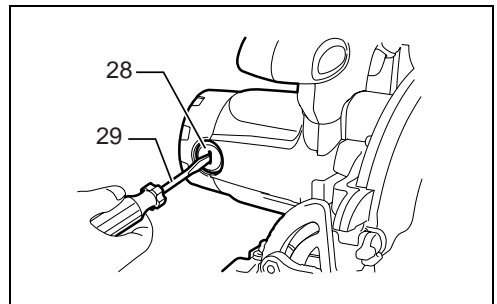
21



22



23



24

## ENGLISH

### Explanation of general view

- |                      |                             |                             |
|----------------------|-----------------------------|-----------------------------|
| 1. Red part          | 11. Hex wrench              | 21. Front grip              |
| 2. Button            | 12. Inner flange            | 22. Clamping screw          |
| 3. Battery cartridge | 13. Saw blade               | 23. Rip fence (Guide rule)  |
| 4. Lever             | 14. Outer flange            | 24. Adjusting screw for 45° |
| 5. Stopper           | 15. Hex. bolt               | 25. Adjusting screw for 90° |
| 6. Base              | 16. Dust nozzle (accessory) | 26. Triangular rule         |
| 7. Cutting line      | 17. Screw                   | 27. Limit mark              |
| 8. Switch trigger    | 18. Hose                    | 28. Brush holder cap        |
| 9. Lock-off lever    | 19. Vacuum cleaner          | 29. Screwdriver             |
| 10. Shaft lock       | 20. Rear handle             |                             |

## SPECIFICATIONS

Model	BSS610	
Blade diameter	165 mm	
Max. Cutting depth	at 90°	57 mm
	at 45°	40 mm
	at 50°	36 mm
No load speed (min <sup>-1</sup> )	3,700	
Overall length	347 mm	
Net weight	3.2 kg	
Rated voltage	D.C. 18V	

- Due to our continuing program of research and development, the specifications herein are subject to change without notice.
- Note: Specifications may differ from country to country.

### Intended use

The tool is intended for performing lengthways and crossways straight cuts and mitre cuts with angles in wood while in firm contact with the workpiece.

## SPECIFIC SAFETY RULES

**DO NOT let comfort or familiarity with product (gained from repeated use) replace strict adherence to Circular Saw safety rules. If you use this tool unsafely or incorrectly, you can suffer serious personal injury.**

### DANGER:

- 1. Keep hands away from cutting area and the blade. Keep your second hand on auxiliary handle, or motor housing.** If both hands are holding the saw, they cannot be cut by the blade.
- 2. Do not reach underneath the workpiece.** The guard cannot protect you from the blade below the workpiece. Do not attempt to remove cut material when blade is moving.  
CAUTION: Blades coast after turn off. Wait until blade stops before grasping cut material.
- 3. Adjust the cutting depth to the thickness of the workpiece.** Less than a full tooth of the blade teeth should be visible below the workpiece.
- 4. Never hold piece being cut in your hands or across your leg. Secure the workpiece to stable platform.** It is important to support the work properly to minimize body exposure, blade binding, or loss of control.  
A typical illustration of proper hand support and workpiece support. (Fig. 1)
- 5. Hold power tool by insulated gripping surfaces when performing an operation where the cutting tool may contact hidden wiring or its own cord.**

Contact with a “live” wire will also make exposed metal parts of the power tool “live” and shock the operator.

6. **When ripping always use a rip fence or straight edge guide.** This improves the accuracy cut and reduces the chance of blade binding.
7. **Always use blades with correct size and shape (diamond versus round) of arbour holes.** Blades that do not match the mounting hardware of the saw will run eccentrically, causing loss of control.
8. **Never use damaged or incorrect blade washers or bolt.** The blade washers and bolt were specially designed for your saw, for optimum performance and safety of operation.
9. **Causes and Operator Prevention of Kickback:**

- kickback is a sudden reaction to a pinched, bound or misaligned saw blade, causing an uncontrolled saw to lift up and out of the workpiece toward the operator;
- When the blade is pinched or bound tightly by the kerf closing down, the blade stalls and the motor reaction drives the unit rapidly back toward the operator;
- if the blade becomes twisted or misaligned in the cut, the teeth at the back edge of the blade can dig into the top surface of the wood causing the blade to climb out of the kerf and jump back toward the operator.

Kickback is the result of saw misuse and/or incorrect operating procedures or conditions and can be avoided by taking proper precautions as given below.

- **Maintain a firm grip with both hands on the saw and position your arms to resist kickback forces. Position your body to either side of the blade, but not in line with the blade.** Kickback could cause the saw to jump backwards, but kickback forces can be controlled by the operator, if proper precautions are taken. A typical illustration of proper hand support and workpiece support.
- **When blade is binding, or when interrupting a cut for any reason, release the trigger and hold the saw motionless in the material until the blade comes to a complete stop. Never attempt to remove the saw from the work or pull the saw backward while the blade is in motion or kickback may occur.** Investigate and take corrective actions to eliminate the cause of blade binding.
- **When restarting a saw in the workpiece, centre the saw blade in the kerf and check that saw teeth are not engaged into the material.** If saw blade is binding, it may walk up or kickback from the workpiece as the saw is restarted.
- **Support large panels to minimise the risk of blade pinching and kickback.** Large panels tend to sag under their own weight. Supports must be placed under the panel on both sides, near the line of cut and near the edge of the panel.

To minimize the risk of blade pinching and kickback. When cutting operation requires the resting of the saw on the workpiece, the saw should be rested on the larger portion and the smaller piece cut off.

To avoid kickback, do support board or panel near the cut. (Fig. 2)

Do not support board or panel away from the cut. (Fig. 3)

- **Do not use dull or damaged blades.** Unsharpened or improperly set blades produce narrow kerf causing excessive friction, blade binding and kickback. Keep blade sharp and clean. Gum and wood pitch hardened on blades slows saw and increases potential for kickback. Keep blade clean by first removing it from tool, then cleaning it with gum and pitch remover, hot water or kerosene. Never use gasoline.
  - **Blade depth and bevel adjusting locking levers must be tight and secure before making cut.** If blade adjustment shifts while cutting, it may cause binding and kickback.
  - **Use extra caution when making a “plunge cut” into existing walls or other blind areas.** The protruding blade may cut objects that can cause kickback. For plunge cuts, retract lower guard using Retracting handle.
  - **ALWAYS hold the tool firmly with both hands. NEVER place your hand or fingers behind the saw.** If kickback occurs, the saw could easily jump backwards over your hand, leading to serious personal injury.
  - **Never force the saw. Forcing the saw can cause uneven cuts, loss of accuracy, and possible kickback.** Push the saw forward at a speed so that the blade cuts without slowing. (Fig. 4)
10. **Check lower guard for proper closing before each use. Do not operate the saw if lower guard does not move freely and close instantly. Never clamp or tie the lower guard into the open position.** If saw is accidentally dropped, lower guard may be bent. Raise the lower guard with the retracting handle and make sure it moves freely and does not touch the blade or any other part, in all angles and depths of cut. To check lower guard, open lower guard by hand, then release and watch guard closure. Also check to see that Retracting handle does not touch tool housing. Leaving blade exposed is VERY DANGEROUS and can lead to serious personal injury.
  11. **Check the operation of the lower guard spring. If the guard and the spring are not operating properly, they must be serviced before use.** Lower guard may operate sluggishly due to damaged parts, gummy deposits, or a build-up of debris.
  12. **Lower guard should be retracted manually only for special cuts such as “plunge cuts” and “compound cuts.” Raise lower guard by retracting handle and as soon as blade enters the material, the lower guard must be released.** For all other sawing, the lower guard should operate automatically. To avoid kickback, do support board or panel near the cut. Do not support board or panel away from the cut.
  13. **Always observe that the lower guard is covering the blade before placing saw down on bench or floor.** An unprotected, coasting blade will cause the saw to walk backwards, cutting whatever is in its path. Be aware of the time it takes for the blade to stop after

switch is released. Before setting the tool down after completing a cut, be sure that the lower guard has closed and the blade has come to a complete stop.

14. Use extra caution when cutting damp wood, pressure treated lumber, or wood containing knots. Adjust speed of cut to maintain smooth advancement of tool without decrease in blade speed.
15. Avoid Cutting Nails. Inspect for and remove all nails from lumber before cutting.
16. Place the wider portion of the saw base on that part of the workpiece which is solidly supported, not on the section that will fall off when the cut is made. As examples, Fig. 5 illustrates the RIGHT way to cut off the end of a board, and Fig. 6 the WRONG way. If the workpiece is short or small, clamp it down. DO NOT TRY TO HOLD SHORT PIECES BY HAND!
17. Never attempt to saw with the circular saw held upside down in a vise. This is extremely dangerous and can lead to serious accidents. (Fig. 7)
18. Some material contains chemicals which may be toxic. Take caution to prevent dust inhalation and skin contact. Follow material supplier safety data.
19. Do not stop the blades by lateral pressure on the saw blade.
20. Always use blades recommended in this manual. Do not use any abrasive wheels.
21. Wear a dust mask and hearing protection when use the tool.

## SAVE THESE INSTRUCTIONS

**WARNING:**  
MISUSE or failure to follow the safety rules stated in this instruction manual may cause serious personal injury.

## IMPORTANT SAFETY INSTRUCTIONS FOR BATTERY CARTRIDGE

1. Before using battery cartridge, read all instructions and cautionary markings on (1) battery charger, (2) battery, and (3) product using battery.
2. Do not disassemble battery cartridge.
3. If operating time has become excessively shorter, stop operating immediately. It may result in a risk of overheating, possible burns and even an explosion.
4. If electrolyte gets into your eyes, rinse them out with clear water and seek medical attention right away. It may result in loss of your eyesight.
5. Do not short the battery cartridge:
  - (1) Do not touch the terminals with any conductive material.
  - (2) Avoid storing battery cartridge in a container with other metal objects such as nails, coins, etc.

- (3) Do not expose battery cartridge to water or rain.

A battery short can cause a large current flow, overheating, possible burns and even a breakdown.

6. Do not store the tool and battery cartridge in locations where the temperature may reach or exceed 50°C (122°F).
7. Do not incinerate the battery cartridge even if it is severely damaged or is completely worn out. The battery cartridge can explode in a fire.
8. Be careful not to drop or strike battery.

## SAVE THESE INSTRUCTIONS

### Tips for maintaining maximum battery life

1. Charge the battery cartridge before completely discharged.  
Always stop tool operation and charge the battery cartridge when you notice less tool power.
2. Never recharge a fully charged battery cartridge. Overcharging shortens the battery service life.
3. Charge the battery cartridge with room temperature at 10°C – 40°C (50°F – 104°F). Let a hot battery cartridge cool down before charging it.

## FUNCTIONAL DESCRIPTION

### CAUTION:

- Always be sure that the tool is switched off and the battery cartridge is removed before adjusting or checking function on the tool.

### Installing or removing battery cartridge (Fig. 8)

- Always switch off the tool before insertion or removal of the battery cartridge.
- To remove the battery cartridge, withdraw it from the tool while sliding the button on the side of the cartridge.
- To insert the battery cartridge, align the tongue on the battery cartridge with the groove in the housing and slip it into place. Always insert it all the way until it locks in place with a little click. If you can see the red part on the upper side of the button, it is not locked completely. Insert it fully until the red part cannot be seen. If not, it may accidentally fall out of the tool, causing injury to you or someone around you.
- Do not use force when inserting the battery cartridge. If the cartridge does not slide in easily, it is not being inserted correctly.

### Adjusting depth of cut (Fig. 9)

#### CAUTION:

- After adjusting the depth of cut, always tighten the lever securely.

Loosen the lever on the side of the rear handle and move the base up or down. At the desired depth of cut, secure the base by tightening the lever.

For cleaner, safer cuts, set cut depth so that no more than one blade tooth projects below workpiece. Using proper

cut depth helps to reduce potential for dangerous KICKBACKS which can cause personal injury.

## Bevel cutting (Fig. 10 & 11)

Loosen the lever on the bevel scale plate on the front base. Set for the desired angle (0° – 50°) by tilting accordingly, then tighten the lever securely. Use the 45° stopper when you do precise 45° angle cutting. Turn the stopper counterclockwise fully for bevel cut (0° - 45°) and turn it clockwise for 0° - 50° bevel cuts.

## Sighting (Fig. 12)

For straight cuts, align the A position on the front of the base with your cutting line. For 45° bevel cuts, align the B position with it.

## Switch action (Fig. 13)

### CAUTION:

- Before inserting the battery cartridge into the tool, always check to see that the switch trigger actuates properly and returns to the "OFF" position when released.
- Do not pull the switch trigger hard without pressing the lock-off lever. This can cause switch breakage.

To prevent the switch trigger from being accidentally pulled, a lock-off lever is provided. To start the tool, press the lock-off lever and pull the switch trigger. Release the switch trigger to stop.

### WARNING:

- For your safety, this tool is equipped with lock-off lever which prevents the tool from unintended starting. NEVER use the tool if it runs when you simply pull the switch trigger without pressing the lock-off lever. Return tool a MAKITA service center for proper repairs BEFORE further usage.
- NEVER tape down or defeat purpose and function of lock-off lever.

## Lighting the lamp

### CAUTION:

- Do not look in the light or see the source of light directly.

Only to turn on the light, pull the switch trigger without pressing the lock-off lever. To turn on the light and run the tool, press the lock-off lever and pull the switch trigger with the lock-off lever being pressed.

### NOTE:

- Use a dry cloth to wipe the dirt off the lens of lamp. Be careful not to scratch the lens of lamp, or it may lower the illumination.
- Do not use gasoline, thinner or the like to clean the lens of lamp. Using such substances will damage the lens.

## ASSEMBLY

### CAUTION:

- Always be sure that the tool is switched off and the battery cartridge is removed before carrying out any work on the tool.

## Removing or installing saw blade

### CAUTION:

- Be sure the blade is installed with teeth pointing up at the front of the tool.
- Use only the Makita wrench to install or remove the blade.

To remove the blade, press the shaft lock so that the blade cannot revolve and use the wrench to loosen the hex bolt clockwise. Then remove the hex bolt, outer flange and blade. (Fig. 14)

To install the blade, follow the removal procedure in reverse. BE SURE TO TIGHTEN THE HEX BOLT COUNTERCLOCKWISE SECURELY.

When changing blade, make sure to also clean upper and lower blade guards of accumulated sawdust. Such efforts do not, however, replace the need to check lower guard operation before each use. (Fig. 15)

## Hex wrench storage (Fig. 16)

When not in use, store the hex wrench as shown in the figure to keep it from being lost.

## Connecting a vacuum cleaner (Fig. 17 & 18)

When you wish to perform clean cutting operation, connect a Makita vacuum cleaner to your tool. Install the dust nozzle on the tool using the screw. Then connect a hose of the vacuum cleaner to the dust nozzle as shown in the figure.

## OPERATION (Fig. 19)

### CAUTION:

- Always insert the battery cartridge all the way until it locks in place. If you can see the red part on the upper side of the button, it is not locked completely. Insert it fully until the red part cannot be seen. If not, it may accidentally fall out of the tool, causing injury to you or someone around you.
- Be sure to move the tool forward in a straight line gently. Forcing or twisting the tool will result in overheating the motor and dangerous kickback, possibly causing severe injury.
- If the tool is operated continuously until the battery cartridge has discharged, allow the tool to rest for 15 minutes before proceeding with a fresh battery.

Hold the tool firmly. The tool is provided with both a front grip and rear handle.

Use both to best grasp the tool. If both hands are holding saw, they cannot be cut by the blade. Set the base on the workpiece to be cut without the blade making any contact. Then turn the tool on and wait until the blade attains full speed. Now simply move the tool forward over the workpiece surface, keeping it flat and advancing smoothly until the sawing is completed.

To get clean cuts, keep your sawing line straight and your speed of advance uniform. If the cut fails to properly follow your intended cut line, do not attempt to turn or force the tool back to the cut line. Doing so may bind the blade and lead to dangerous kickback and possible serious injury. Release switch, wait for blade to stop and then withdraw tool. Realign tool on new cut line, and start cut again.



Attempt to avoid positioning which exposes operator to chips and wood dust being ejected from saw. Use eye protection to help avoid injury.

### **Rip fence (Guide rule) (Fig. 20)**

The handy rip fence allows you to do extra-accurate straight cuts. Simply slide the rip fence up snugly against the side of the workpiece and secure it in position with the screw on the front of the base. It also makes repeated cuts of uniform width possible.

## **MAINTENANCE**

### **CAUTION:**

- Always be sure that the tool is switched off and the battery cartridge is removed before attempting to perform inspection or maintenance.

### **Adjusting for accuracy of 90° and 45° cut (vertical and 45° cut) (Fig. 21 & 22)**

This adjustment has been made at the factory. But if it is off, adjust the adjusting screws with a hex wrench while inspecting 90° or 45° the blade with the base using a triangular rule or square rule, etc.

### **Replacing carbon brushes**

Remove and check the carbon brushes regularly. Replace when they wear down to the limit mark. Keep the carbon brushes clean and free to slip in the holders. Both carbon brushes should be replaced at the same time. Use only identical carbon brushes. (Fig. 23)

Use a screwdriver to remove the brush holder caps. Take out the worn carbon brushes, insert the new ones and secure the brush holder caps. (Fig. 24)

To maintain product SAFETY and RELIABILITY, repairs, any other maintenance or adjustment should be performed by Makita Authorized Service Centers, always using Makita replacement parts.

## **ACCESSORIES**

### **CAUTION:**

- These accessories or attachments are recommended for use with your Makita tool specified in this manual. The use of any other accessories or attachments might present a risk of injury to persons. Only use accessory or attachment for its stated purpose.

If you need any assistance for more details regarding these accessories, ask your local Makita Service Center.

- Saw blades
- Rip fence (Guide rule)
- Hex wrench 5
- Various type of Makita genuine batteries and chargers
- Dust nozzle

# FRANÇAIS

## Descriptif

- |                        |                                       |  |
|------------------------|---------------------------------------|--|
| 1. Partie rouge        | 12. Flasque intérieur                 | 22. Vis de serrage                     |
| 2. Bouton              | 13. Lame                              | 23. Garde parallèle (règle de guidage) |
| 3. Batterie            | 14. Flasque extérieur                 | 24. Vis de réglage 45°                 |
| 4. Levier              | 15. Boulon hexagonal                  | 25. Vis de réglage 90°                 |
| 5. Butée               | 16. Raccord à poussières (accessoire) | 26. Règle triangulaire                 |
| 6. Socle               | 17. Vis                               | 27. Repère d'usage                     |
| 7. Ligne de coupe      | 18. Tuyau                             | 28. Bouchon de porte-charbon           |
| 8. Gâchette            | 19. Aspirateur                        | 29. Tournevis                          |
| 9. Levier de sécurité  | 20. Poignée arrière                   |  |
| 10. Blocage de l'arbre | 21. Poignée avant                     |  |
| 11. Clé hexagonale     |                                       |  |

## SPÉCIFICATIONS

Modèle	BSS610	
Diamètre de la lame	165 mm	
Capacité de coupe max.	à 90°	57 mm
	à 45°	40 mm
	à 50°	36 mm
Vitesse à vide (min <sup>-1</sup> )	3 700	
Longueur totale	347 mm	
Poids net	3,2 kg	
Tension nominale	C.C. 18 V	

- Étant donné l'évolution constante de notre programme de recherche et de développement, les spécifications contenues dans ce manuel sont sujettes à modification sans préavis.
- Note : Les spécifications peuvent varier suivant les pays.

### Utilisations

L'outil est conçu pour les coupes en longueur et les coupes transversales, ainsi que pour les coupes d'onglet angulaires dans le bois en maintenant un contact ferme avec la pièce à travailler.

## CONSIGNES DE SÉCURITÉ SPÉCIFIQUES

**NE vous laissez PAS tromper (au fil d'une utilisation répétée) par un sentiment d'aisance et de familiarité avec le produit, en négligeant le respect rigoureux des consignes de sécurité qui accompagnent la scie circulaire. Si vous n'utilisez pas cet outil de façon sûre et adéquate, vous courrez un risque de blessure grave.**

### DANGER :

- 1. Gardez vos mains à l'écart de la zone de coupe et de la lame. Laissez votre deuxième main sur la poignée auxiliaire ou le carter du moteur.** Vous ne risquez pas de vous couper les mains si vous les utilisez toutes les deux pour tenir la scie.
- 2. Ne placez aucune partie de votre corps sous la pièce à travailler.** Le protecteur ne peut pas vous protéger contre la lame sous la pièce à travailler. N'essayez pas de retirer le matériau coupé pendant que la lame tourne.  
ATTENTION : La lame continue de tourner même une fois le contact coupé. Attendez l'arrêt total de la lame avant de saisir le bout de matériau coupé.
- 3. Réglez la profondeur de coupe suivant l'épaisseur de la pièce à travailler.** La partie de la lame visible sous la pièce à travailler doit être moindre qu'une dent de lame complète.
- 4. Ne tenez jamais la pièce avec les mains ou contre la jambe. Immobilisez la pièce contre une surface stable.** Il est important que la pièce soit soutenue

correctement pour minimiser l'exposition du corps, les pincements de lame et les pertes de maîtrise.

Exemple typique d'une bonne prise et d'une pièce bien soutenue. (Fig. 1)

5. **Saisissez les outils électriques par leurs surfaces de poigne isolées lorsque vous effectuez une opération au cours de laquelle l'outil tranchant peut entrer en contact avec des fils cachés ou avec le cordon de l'outil.** Le contact avec un fil sous tension mettra également les parties métalliques exposées de l'outil électrique sous tension et causera un choc électrique chez l'utilisateur.
6. **Lors du sciage en long utilisez toujours un garde parallèle ou un guide de coupe rectiligne.** La coupe sera plus précise et cela réduira les risques de pincement de la lame.
7. **Utilisez toujours des lames dont l'orifice central est de taille et de forme (diamantée ou circulaire) appropriée.** Si la lame utilisée n'est pas conçue pour la scie, elle tournera de manière excentrique et vous perdrez la maîtrise de l'outil.
8. **N'utilisez jamais de rondelles ou boulons endommagés ou inadéquats pour fixer la lame.** Les rondelles et le boulon ont été conçus exclusivement pour votre scie, afin d'assurer une performance optimale et une utilisation sûre.
9. **Les causes de choc en retour et les mesures préventives :**

- Le choc en retour est une réaction soudaine de l'outil lorsque la lame est coincée, pincée ou désalignée, et la scie, hors de contrôle, se soulève alors et quitte la pièce en se dirigeant vers l'utilisateur ;
- Lorsque la lame se coince ou est pincée par le trait de scie qui se referme sur elle, la lame se bloque et la réaction du moteur entraîne la projection de l'outil à grande vitesse vers l'utilisateur.
- Si la lame se tord ou se désaligne par rapport à la ligne de coupe, les dents arrière risquent de creuser la surface supérieure du bois ; la lame sortira alors du trait de scie et bondira vers l'utilisateur.

Le choc en retour est dû à une mauvaise utilisation de l'outil et/ou à des procédures ou conditions de travail inappropriées. Il peut être évité en prenant les mesures appropriées, tel qu'indiqué ci-dessous.

- **Maintenez une poigne ferme et deux mains sur la scie, et placez vos bras de sorte qu'ils puissent résister à la force du choc en retour. Placez-vous d'un côté ou de l'autre de la lame, jamais dans sa ligne de coupe.** Le choc en retour peut faire bondir la scie vers l'arrière, mais l'utilisateur pourra alors maîtriser la force du choc en retour s'il prend les précautions nécessaires. Exemple typique d'une bonne prise et d'une pièce bien soutenue.
- **Si la lame se pince ou si vous interrompez la coupe pour une raison quelconque, libérez la gâchette et maintenez la scie immobile dans le matériau jusqu'à l'arrêt complet de la lame. N'essayez jamais de retirer la scie de la pièce ou de la faire reculer alors que la lame tourne encore, autrement il y a un risque de choc en retour.** Identifiez la cause du pincement de la lame et prenez les mesures correctives pour éliminer ladite cause.

- **Avant de redémarrer la scie dans la pièce, centrez la lame dans le trait de scie et assurez-vous que les dents ne pénètrent pas dans le matériau.** Si la lame se pince au moment du redémarrage de l'outil, elle risque de remonter jusqu'à l'utilisateur ou de causer un choc en retour.
- **Placez un dispositif de soutien sous les grandes pièces pour réduire les risques de pincement et de choc en retour.** Les panneaux de grande dimension ont tendance à s'affaisser sous leur propre poids. Des dispositifs de soutien doivent être installés sous le panneau, de chaque côté, près de la ligne de coupe et près des bords du panneau.

Pour réduire les risques de pincement de la lame et de choc en retour. Lorsque la scie doit reposer contre la pièce pendant la coupe, il faut la placer du côté le plus large de la pièce de sorte que la plus petite partie de la pièce se détache lors de la coupe.

Pour éviter les chocs en retour, assurez un soutien de la planche ou du panneau près de la ligne de coupe. (Fig. 2)

Ne placez pas le dispositif de soutien de la planche ou du panneau loin de la ligne de coupe. (Fig. 3)

- **N'utilisez pas des lames émoussées ou endommagées.** Les lames mal affûtées ou mal posées produisent un trait de scie étroit, entraînant une friction excessive, le pincement de la lame et un choc en retour. Maintenez la lame bien affûtée et propre. Les dépôts de colle et les copeaux de bois qui durcissent contre la lame ralentissent la scie et entraînent une augmentation des risques de choc en retour. Pour nettoyer la lame, retirez-la d'abord de l'outil, puis nettoyez-la avec un décapant, de l'eau chaude ou du kérosène. N'utilisez jamais d'essence.
  - **Les leviers de verrouillage de la profondeur de coupe et du réglage de coupe en biseau doivent être serrés de manière ferme et sûre avant de procéder à la coupe.** Il y a un risque de pincement et de choc en retour si les réglages de la lame changent pendant la coupe.
  - **Soyez extrêmement prudent lorsque vous effectuez une coupe en plongée dans un mur ou toute autre surface derrière laquelle peuvent se trouver des objets non visibles.** La lame, après avoir traversé la surface, peut entrer en contact avec ces objets et causer un choc en retour. Pour effectuer les coupes en plongée, rétractez le carter de protection inférieur à l'aide de la poignée rétractable.
  - **Tenez TOUJOURS l'outil fermement à deux mains. Ne posez JAMAIS une main ou des doigts derrière la lame.** En cas de choc en retour, l'outil pourrait facilement bondir vers l'arrière et passer sur votre main, vous infligeant une blessure grave.
  - **Ne forcez jamais la scie. Le fait de forcer la scie peut résulter en des coupes inégales, une perte de précision et un choc en retour.** Faites avancer la scie à une vitesse permettant à la lame de tourner sans perte de vitesse. (Fig. 4)
10. **Avant chaque utilisation, assurez-vous que le carter de protection inférieur ferme bien. N'utilisez pas la scie si le carter de protection inférieur ne se déplace pas librement et ne se referme pas immédiatement. Évitez d'immobiliser ou fixer le**

### **carter de protection inférieur en position ouverte.**

Le carter de protection inférieur risque d'être plié si vous échappez la scie par accident. Soulevez le carter de protection inférieur à l'aide de la poignée rétractable et assurez-vous qu'il se déplace librement sans entrer en contact avec la lame ou toute autre partie de la scie, et ce quel que soit l'angle ou la profondeur de coupe.

Pour vérifier que le carter de protection inférieur se referme bien, ouvrez-le manuellement et relâchez-le. Assurez-vous également que la poignée rétractable ne touche pas le carter de l'outil. Une lame exposée est TRÈS DANGEREUSE et peut causer de graves blessures.

11. **Vérifiez le fonctionnement du ressort du carter de protection inférieur. Le carter de protection et le ressort doivent être réparés avant l'utilisation s'ils ne fonctionnent pas correctement.** Le fonctionnement du carter de protection inférieur peut être ralenti par des pièces endommagées, des dépôts gluants ou l'accumulation de débris.
12. **Le carter de protection inférieur ne doit être rétracté manuellement que lors des coupes spéciales, comme par exemple les "coupes en plongées" et les "coupes composées".** Soulevez le carter de protection inférieur à l'aide de la poignée rétractable et libérez-le dès que la lame entre en contact avec le matériau. Pour tout autre type de coupe, il faut laisser le carter de protection inférieur fonctionner automatiquement. Pour éviter les chocs en retour, assurez un soutien à la planche ou au panneau près de la ligne de coupe. Ne placez pas le dispositif de soutien de la planche ou du panneau loin de la ligne de coupe.
13. **Assurez-vous toujours que le carter de protection inférieur recouvre la lame avant de poser la scie sur l'établi ou le plancher.** La scie risque de se déplacer vers l'arrière en coupant tout ce qui se trouve sur sa trajectoire si la lame n'est pas recouverte du protecteur et tourne encore. N'oubliez pas qu'il faut un certain temps avant que la lame ne s'arrête une fois la gâchette libérée. Avant de déposer l'outil une fois la coupe terminée, assurez-vous que le carter de protection inférieur est fermé et que la lame est parfaitement immobile.
14. **Soyez encore plus prudent pour couper du bois mouillé, du bois traité sous pression ou du bois qui contient des nœuds.** Réglez la vitesse de coupe de sorte que l'outil progresse sans à-coups et que la lame tourne à vitesse constante.
15. **Prenez garde de couper les clous.** Avant de couper dans le bois de construction, inspectez-le et retirez-en tous les clous.
16. **Placez la partie la plus grande du socle de la scie sur la partie de la pièce qui est solidement soutenue, non sur celle qui tombera une fois la coupe terminée.** À titre d'exemples, la Fig. 5 illustre la BONNE façon de couper l'extrémité d'une planche, tandis que la Fig. 6 illustre la MAUVAISE façon. Si la pièce est courte ou petite, placez-la dans un dispositif de serrage. **N'ESSAYEZ PAS DE TENIR LES COURTES PIÈCES UNIQUEMENT AVEC LA MAIN!**
17. **N'essayez jamais de scier en plaçant la scie circulaire à l'envers dans un étai.** Cela est très dangereux et peut entraîner un accident grave. (Fig. 7)

18. **Certains matériaux contiennent des produits chimiques qui peuvent être toxiques. Prenez les précautions nécessaires pour ne pas inhaler les poussières qu'ils dégagent et pour éviter tout contact avec la peau. Conformez-vous aux consignes de sécurité du fabricant du matériau.**
19. **N'appliquez jamais de pression latérale sur la lame pour l'arrêter.**
20. **Utilisez toujours les lames spécifiées dans ce manuel. N'utilisez pas de disques abrasifs.**
21. **Portez un masque antipoussières et des protections d'oreilles lorsque vous utilisez l'outil.**

## **CONSERVEZ CES INSTRUCTIONS**

### **AVERTISSEMENT :**

LA MAUVAISE UTILISATION de l'outil ou l'ignorance des consignes de sécurité du présent manuel d'instructions peuvent entraîner une grave blessure.

## **IMPORTANTES CONSIGNES DE SÉCURITÉ POUR LA BATTERIE**

1. **Avant d'utiliser la batterie, veuillez lire toutes les instructions et tous les avertissements inscrits sur (1) le chargeur, (2) la batterie et (3) l'appareil alimenté par la batterie.**
2. **Ne démontez pas la batterie.**
3. **Cessez immédiatement l'utilisation si le temps de fonctionnement devient excessivement court. Il y a risque de surchauffe et de brûlures, voire d'explosion.**
4. **Si l'électrolyte pénètre dans vos yeux, rincez-les à l'eau claire et consultez immédiatement un médecin. Il y a risque de perte de la vue.**
5. **Évitez de court-circuiter la batterie :**
  - (1) **Ne touchez les bornes avec aucun matériau conducteur.**
  - (2) **Évitez de ranger la batterie dans un contenant où se trouvent d'autres objets métalliques tels que clous, pièces de monnaie, etc.**
  - (3) **N'exposez pas la batterie à l'eau ou à la pluie.** Un court-circuit de la batterie pourrait provoquer un fort courant, une surchauffe, parfois des brûlures et même une panne.
6. **Ne rangez pas l'outil ou la batterie dans des endroits où la température risque d'atteindre ou de dépasser 50°C (122°F).**
7. **Ne jetez pas la batterie au feu même si elle est sérieusement endommagée ou complètement épuisée. La batterie peut exploser au contact du feu.**
8. **Prenez garde d'échapper ou de heurter la batterie.**

## **CONSERVEZ CES INSTRUCTIONS**

### **Conseils pour assurer la durée de vie optimale de la batterie**

1. **Rechargez la batterie avant qu'elle ne soit complètement épuisée. Arrêtez toujours l'outil et rechargez la batterie quand vous constatez que la puissance de l'outil diminue.**

2. **Ne rechargez jamais une batterie complètement chargée. La surcharge réduit la durée de service de la batterie.**
3. **Chargez la batterie alors que la température de la pièce se trouve entre 10°C et 40°C (50°F et 104°F). Avant de charger une batterie chaude, laissez-la refroidir.**

## DESCRIPTION DU FONCTIONNEMENT

### ATTENTION :

- Assurez-vous toujours que l'outil est hors tension et que sa batterie est retirée avant d'ajuster l'outil ou de vérifier son fonctionnement.

### Installation et retrait de la batterie (Fig. 8)

- Mettez toujours l'outil hors tension avant d'insérer ou de retirer la batterie.
- Pour retirer la batterie, sortez-la de l'outil tout en faisant glisser le bouton sur le côté de la batterie.
- Pour insérer la batterie, alignez sa languette sur la rainure qui se trouve à l'intérieur du carter, puis glissez la batterie pour la mettre en place. Insérez-la toujours bien à fond, jusqu'à ce qu'elle se verrouille en émettant un léger clic. Si vous pouvez voir la partie rouge sur la face supérieure du bouton, la batterie n'est pas parfaitement verrouillée. Insérez-la à fond, jusqu'à ce que la partie rouge ne soit plus visible. Sinon, la batterie risque de tomber accidentellement de l'outil, en vous blessant ou en blessant une personne se trouvant près de vous.
- N'appliquez pas une force excessive lors de l'insertion de la batterie. Si la batterie ne glisse pas aisément, c'est qu'elle n'est pas insérée correctement.

### Réglage de la profondeur de coupe (Fig. 9)

#### ATTENTION :

- Après avoir ajusté la profondeur de coupe, serrez toujours fermement le levier.

Desserrez le levier du côté de la poignée arrière puis déplacez la base vers le haut ou le bas. À la profondeur de coupe désirée, fixez la base en serrant le levier.

Pour obtenir des coupes plus propres et les effectuer de manière plus sûre, réglez la profondeur de coupe de sorte que pas plus d'une dent de lame ne dépasse sous la pièce. Une profondeur de coupe adéquate aide à réduire les risques de dangereux CHOCS EN RETOUR et de blessures.

### Coupe en biseau (Fig. 10 et 11)

Desserrez le levier du secteur angulaire sur le socle avant. Réglez sur l'angle désiré (0° à 50°) en inclinant, puis serrez fermement le levier. Utilisez la butée 45° pour effectuer avec précision une coupe angulaire de 45°. Tournez la butée à fond dans le sens contraire des aiguilles d'une montre pour effectuer une coupe en biseau (0° - 45°) et tournez-la dans le sens des aiguilles d'un montre pour effectuer des coupes en biseau de 0° - 50°.

### Visée (Fig. 12)

Pour les coupes rectilignes, alignez sur la ligne de coupe la position A à l'avant du socle. Pour les coupes en biseau de 45°, alignez la position B sur la ligne de coupe.

## Interrupteur (Fig. 13)

### ATTENTION :

- Avant d'insérer la batterie dans l'outil, vérifiez toujours que la gâchette fonctionne bien et revient en position d'arrêt lorsque libérée.
- Ne pas tirer vigoureusement sur la gâchette sans appuyer sur le levier de sécurité. Vous risqueriez de casser la gâchette.

Un levier de sécurité est prévu pour prévenir la pression accidentelle sur la gâchette. Pour mettre en marche l'outil, appuyez sur le levier de sécurité et ensuite sur la gâchette. Pour l'arrêter, libérez la gâchette.

### AVERTISSEMENT :

- Pour assurer votre sécurité, cet outil est doté d'un levier de sécurité qui prévient le démarrage accidentel de l'outil. Ne JAMAIS utiliser l'outil s'il se met en marche après avoir seulement appuyé sur la gâchette sans appuyer sur le levier de sécurité. Retournez l'outil à un centre de service après-vente Makita pour le faire réparer AVANT de poursuivre l'utilisation.
- Le levier de sécurité ne doit JAMAIS être immobilisé avec du ruban adhésif, ni modifié.

## Allumage de la lampe

### ATTENTION :

- Ne regardez pas directement la lumière ou la source de lumière.

Pour seulement allumer la lumière, appuyez sur la gâchette sans enfoncer le levier de sécurité. Pour allumer la lumière et faire démarrer l'outil, enfoncez le levier de sécurité et appuyez sur la gâchette en laissant le levier enfoncé.

### NOTE :

- Utilisez un chiffon sec pour essuyer les saletés qui recouvrent la lentille de la lampe. Prenez garde de rayer la lentille de la lampe, sinon sa capacité d'éclairage sera affectée.
- N'utilisez pas d'essence, de diluant ou autre liquide similaire pour nettoyer la lentille de la lampe. L'objectif risque d'être endommagé si vous utilisez de telles substances.

## ASSEMBLAGE

### ATTENTION :

- Assurez-vous toujours que l'outil est hors tension et que la batterie est retirée avant d'effectuer toute intervention sur l'outil.

### Retrait ou pose de la lame

#### ATTENTION :

- Assurez-vous que la lame est installée avec les dents orientées vers le haut à l'avant de l'outil.
- Utilisez exclusivement une clé Makita pour installer ou retirer la lame.

Pour retirer la lame, appuyez sur le blocage de l'arbre de sorte que la lame ne puisse pas tourner, et desserrez le boulon hexagonal à l'aide de la clé hexagonale, en tournant dans le sens des aiguilles d'une montre. Retirez ensuite le boulon hexagonal, le flasque extérieur et la lame. (Fig. 14)

Pour poser la lame, suivez la procédure de retrait dans l'ordre inverse. ASSUREZ-VOUS D'AVOIR FERMEMENT SERRÉ LE BOULON HEXAGONAL EN TOURNANT DANS LE SENS INVERSE DES AIGUILLES D'UNE MONTRE.

Lorsque vous changez de lame, vous devez retirer la sciure de bois accumulée sur les carter de protection supérieur et inférieur. Il faut vérifier le bon fonctionnement du carter de protection inférieur avant chaque utilisation, même après un nettoyage. (Fig. 15)

### Rangement de la clé hexagonale (Fig. 16)

Lorsque vous n'utilisez pas la clé hexagonale, rangez-la de la façon illustrée sur la figure pour éviter de la perdre.

### Raccordement à un aspirateur (Fig. 17 et 18)

Pour effectuer un travail plus propre, raccordez un aspirateur Makita à votre outil. Installez le raccord sur l'outil à l'aide des vis. Au moyen de la vis, installez le raccord à poussières sur l'outil. Reliez ensuite le tuyau de l'aspirateur au raccord à poussières comme l'indique la figure.

## UTILISATION (Fig. 19)

### ATTENTION :

- Insérez toujours la batterie bien à fond, jusqu'à ce qu'elle se verrouille en place. Si vous pouvez voir la partie rouge sur la face supérieure du bouton, la batterie n'est pas parfaitement verrouillée. Insérez-la à fond, jusqu'à ce que la partie rouge ne soit plus visible. Sinon, la batterie risque de tomber accidentellement de l'outil, en vous blessant ou en blessant une personne se trouvant près de vous.
- Vous devez faire avancer l'outil doucement, en ligne droite. Le fait de forcer ou de tordre l'outil causerait un surchauffe du moteur et un dangereux choc en retour, risquant d'entraîner une blessure grave.
- Si l'outil a fonctionné de façon continue jusqu'à ce que la batterie soit épuisée, laissez-le reposer pendant 15 minutes avant de recommencer avec une batterie fraîche.

Tenez l'outil fermement. L'outil est doté d'une poignée avant et d'une poignée arrière.

Tenez l'outil par ses deux poignées. Vous ne risquerez pas de vous couper les mains si vous les utilisez toutes les deux pour tenir la scie. Placez le socle de l'outil sur la pièce de sorte que la lame n'entre pas en contact avec quoi que ce soit. Mettez ensuite l'outil sous tension et attendez que la lame ait atteint sa pleine vitesse. Ensuite, déplacez simplement l'outil vers l'avant sur la surface de la pièce, en le maintenant bien à plat et en le faisant avancer doucement, jusqu'à ce que la coupe soit terminée.

Pour des coupes propres, évitez de dévier de la ligne de coupe et faites avancer l'outil à une vitesse uniforme. Si la lame dévie de la ligne de coupe prévue, ne tentez pas de modifier la course de l'outil pour le forcer à revenir sur la ligne de coupe. Vous risqueriez de plier la lame et de provoquer un dangereux choc en retour pouvant causer une grave blessure. Libérez la gâchette, attendez l'arrêt complet de la lame, puis retirez l'outil. Réalignez l'outil sur une nouvelle ligne de coupe, puis poursuivez la coupe. Évitez de vous exposer aux copeaux et sciures de bois éjectés par la scie. Portez des lunettes de protection pour réduire les risques de blessure.

### Garde parallèle (règle de guidage) (Fig. 20)

Le garde parallèle est pratique pour effectuer des coupes droites avec une très grande précision. Faites simplement glisser le garde parallèle le long du bord de la pièce en le

gardant en position à l'aide de la vis de serrage qui se trouve à l'avant du socle. Cela permet également d'effectuer plusieurs coupes d'une largeur uniforme.

## ENTRETIEN

### ATTENTION :

- Assurez-vous toujours que l'outil est hors tension et que la batterie est retirée avant d'y effectuer tout travail d'inspection ou d'entretien.

### Réglage de précision pour les coupes de 90° et 45° (coupes verticales et à 45°) (Fig. 21 et 22)

Ce réglage est effectué en usine. S'il est désactivé, réajustez la vis de réglage au moyen d'une clé hexagonale, en vous assurant que la lame est sur un angle de 90° ou 45° par rapport à la base, avec une règle triangulaire, une équerre de menuisier, etc.

### Remplacement des charbons

Retirez et vérifiez les charbons régulièrement. Remplacez-les lorsqu'ils atteignent le repère d'usure. Gardez les charbons propres et assurez-vous qu'ils glissent librement dans les porte-charbons. Les deux charbons doivent être remplacés simultanément. Utilisez uniquement des charbons identiques. (Fig. 23) Retirez les bouchons de porte-charbon à l'aide d'un tournevis. Enlevez les charbons usés, insérez les neufs et remettez en place les bouchons de porte-charbon. (Fig. 24)

Pour assurer la SÉCURITÉ et la FIABILITÉ du produit, toute réparation et tout travail d'entretien ou de réglage doivent être effectués par un Centre de service après-vente agréé Makita, avec des pièces de rechange Makita.

## ACCESSOIRES

### ATTENTION :

- Ces accessoires ou pièces complémentaires sont recommandés pour l'utilisation avec l'outil Makita spécifié dans ce manuel. L'utilisation de tout autre accessoire ou pièce complémentaire peut comporter un risque de blessure. Utilisez uniquement l'accessoire ou la pièce complémentaire dans le but spécifié.

Pour obtenir plus de détails sur ces accessoires, contactez le Centre de service après-vente local Makita.

- Lames
- Garde parallèle (règle de guidage)
- Clé hexagonale 5
- Les divers types de batteries et chargeurs Makita authentiques.
- Raccord à poussières

# DEUTSCH

## Erklärung der Gesamtdarstellung

- |                        |                             |                                       |
|------------------------|-----------------------------|---------------------------------------|
| 1. Roter Bereich       | 11. Sechskantschlüssel      | 21. Vorderer Griff                    |
| 2. Taste               | 12. Innenflansch            | 22. Klemmschraube                     |
| 3. Akkublock           | 13. Sägeblatt               | 23. Parallelenschlag (Führungslineal) |
| 4. Hebel               | 14. Außenflansch            | 24. Einstellschraube für 45°          |
| 5. Anschlag            | 15. Sechskantschraube       | 25. Einstellschraube für 90°          |
| 6. Gleitschuh          | 16. Absaugstutzen (Zubehör) | 26. Einstelldreieck                   |
| 7. Schnittlinie        | 17. Schraube                | 27. Grenzmarkierung                   |
| 8. Auslöseschaltung    | 18. Schlauch                | 28. Bürstenhalterkappe                |
| 9. Entriegelungshebel  | 19. Staubsauger             | 29. Schraubendreher                   |
| 10. Spindelarretierung | 20. Hinterer Griff          |                                       |

## TECHNISCHE ANGABEN

Modell	BSS610	
Sägeblattdurchmesser	165 mm	
Max. Schnitttiefe	90°	57 mm
	45°	40 mm
	50°	36 mm
Leerlaufgeschwindigkeit (min <sup>-1</sup> )	3.700	
Gesamtlänge	347 mm	
Nettogewicht	3,2 kg	
Nennspannung	18 V Wechselspannung	

- Aufgrund unserer fortschreitenden Forschungen und Entwicklungen sind Änderungen an den hier wiedergegebenen Angaben ohne Vorankündigung vorbehalten.
- Hinweis: Die Angaben können sich je nach Land unterscheiden.

### Symbole

Im Folgenden sind die Symbole dargestellt, die im Zusammenhang mit dem Werkzeug verwendet werden. Es ist wichtig, dass Sie deren Bedeutung vor dem Einsatz des Werkzeugs kennen.

## BESONDERE SICHERHEITSHINWEISE

Lassen Sie sich **NIE** durch Bequemlichkeit oder (aus fortwährendem Gebrauch gewonnener) Vertrautheit mit dem Gerät dazu verleiten, die Sicherheitsregeln für die Kreissäge zu missachten. Wenn dieses Werkzeug unsicher oder nicht ordnungsgemäß verwendet wird, kann es zu schweren Personenschäden kommen.

### GEFAHR:

1. **Halten Sie Ihre Hände vom Schnittbereich und vom Sägeblatt fern. Halten Sie Ihre andere Hand auf dem Zusatzgriff oder dem Motorgehäuse.** Nur mit beiden Händen an der Säge können Sie Schnittverletzungen durch das Sägeblatt vermeiden.
2. **Fassen Sie niemals unter das Werkstück.** Die Schutzvorrichtung bietet keinen Schutz vor dem Sägeblatt unter dem Werkstück. Versuchen Sie niemals, das abgesägte Material zu entfernen, während das Sägeblatt läuft.  
ACHTUNG: Sägeblatt läuft nach dem Abschalten nach. Warten Sie auf den Stillstand des Sägeblatts, bevor Sie das abgesägte Material entfernen.
3. **Passen Sie die Schnitttiefe an die Dicke des Werkstücks an.** Es sollte weniger als ein kompletter

Sägezahn des Sägeblatts unter dem Werkstück sichtbar sein.

4. **Halten Sie das zu schneidende Werkstück niemals in Ihren Händen oder über Ihrem Bein. Sichern Sie das Werkstück an einer stabilen Unterlage.** Es ist wichtig, dass Sie das Werkstück korrekt abstützen, um Körperverletzungen, ein Verkanten des Sägeblatts oder den Verlust der Kontrolle möglichst zu vermeiden.  
Beispiel der richtigen Handhaltung und Abstützung des Werkstücks. (Abb. 1)
5. **Halten Sie das Elektrowerkzeug an den isolierten Griffflächen, wenn Sie unter Bedingungen arbeiten, bei denen das Schneidwerkzeug versteckte Verkablung oder das eigene Kabel berühren kann.** Der Kontakt mit einem Strom führenden Kabel leitet diesen an die metallenen Teile des Elektrowerkzeugs weiter und verursacht einen Stromschlag beim Bediener.
6. **Verwenden Sie bei Längsschnitten immer einen Parallelenschlag oder eine Führungsschiene.** Dies verbessert den Präzisionsschnitt und verringert die Gefahr des Verkantens des Sägeblatts.
7. **Verwenden Sie stets Sägeblätter in der richtigen Größe und Form (Raute statt Kreis) des Holzdurchmessers.** Sägeblätter, die nicht den Montageteilen der Säge entsprechen, laufen exzentrisch, und führen zum Kontrollverlust.
8. **Verwenden Sie niemals defekte oder vom Original abweichende Unterlegscheiben oder Bolzen.** Die Unterlegscheiben und Befestigungsschrauben wurden eigens für Ihre Säge entwickelt, um einen Betrieb mit optimaler Leistung und Sicherheit zu gewährleisten.
9. **Ursachen für Rückschläge und geeignete Vorkehrungen:**

- Ein Rückschlag entsteht als plötzliche Reaktion auf ein eingeklemmtes, fest sitzendes oder falsch ausgerichtete Sägeblatt und führt zum unkontrollierten Springen der Säge aus dem Werkstück zum Bediener.
- Wenn das Sägeblatt abgeklemmt ist oder durch den sich nach unten abschließenden Schlitz fest eingefasst ist, verkantet es sich und die Motorkraft lässt die Säge schnell in Richtung des Bedieners springen.
- Wenn sich das Sägeblatt im Schnitt verdreht oder verschiebt, können die Zähne an der hinteren Kante des Sägeblatts in die Oberfläche des Holzes reinragen und dazu führen, dass das Sägeblatt aus dem Schlitz tritt und zurück in Richtung des Bedieners springt.

Rückschläge werden durch eine falsche Handhabung der Säge und/oder unsachgemäße Bedienschritte oder -umstände verursacht und können durch die unten aufgeführten Maßnahmen vermieden werden.

- **Halten Sie die Säge stets mit beiden Händen gut fest und legen Sie Ihre Arme so an, dass Sie Rückschläge abwehren können. Stellen Sie sich seitlich zum Sägeblatt hin, jedoch niemals in gleicher Ebene mit dem Sägeblatt.** Ein Rückschlag könnte dazu führen, dass die Säge nach hinten springt. Rückschlagkräfte können jedoch bei korrekten Vorkehrungen vom Bediener kontrolliert werden. Beispiel der richtigen Handhaltung und Abstützung des Werkstücks.
- **Wenn das Sägeblatt sich verkantet oder Sie den Sägevorgang aus irgendeinem Grund unterbrechen, betätigen Sie den Auslöser, und halten Sie die Säge bis zum kompletten Stillstand des Sägeblatts im Material, ohne sie dabei zu bewegen. Versuchen Sie niemals, bei laufendem Sägeblatt die Säge aus dem Werkstück zu entfernen oder sie nach hinten herauszuziehen, da dies zu einem Rückschlag führen kann.** Überprüfen Sie die Ursache für das Verkanten des Sägeblatts und ergreifen Sie Korrekturmaßnahmen.
- **Wenn Sie die Säge im Werkstück erneut starten, setzen Sie das Sägeblatt mittig in den Schlitz ein und stellen Sie sicher, dass die Sägezähne nicht in das Material greifen.** Falls sich das Sägeblatt verkantet, kann es beim erneuten Starten der Säge hochspringen oder vom Werkstück zurückschlagen.
- **Große Werkstücke müssen abgestützt werden, um die Gefahr vor ein Einklemmen des Sägeblatts oder einen Rückschlag möglichst zu vermeiden.** Große Werkstücke neigen dazu, sich unter ihrem Eigengewicht durchzubiegen. Stützen müssen von beiden Seiten unter dem Werkstück angebracht werden, nahe der Schnittlinie und der Werkstückkante.

Um ein Einklemmen oder einen Rückschlag möglichst zu vermeiden. Wenn sich ein Aufsetzen der Säge auf das Werkstück beim Arbeiten nicht vermeiden lässt, setzen Sie die Säge auf den größeren Teil des Werkstücks und sägen Sie den kleineren Teil ab.

Um einen Rückschlag zu vermeiden, stützen Sie das Brett oder das Werkstück nahe der Schnittstelle ab. **(Abb. 2)**

Stützen Sie das Brett oder Werkstück nicht zu weit von der Schnittstelle ab. **(Abb. 3)**

- **Verwenden Sie keine stumpfen oder beschädigten Sägeblätter.** Stumpfe oder falsch eingesetzte Sägeblätter führen zu einem sehr engen Schlitz, der eine hohe Reibung, ein Verkanten des Sägeblatts und einen Rückschlag zur Folge hat. Verwenden Sie nur scharfe und saubere Sägeblätter. Getrocknete Gummi- und Holzreste auf dem Sägeblatt verringern die Geschwindigkeit der Säge und erhöhen das Risiko eines Rückschlags. Halten Sie das Sägeblatt sauber, indem Sie es vom Werkzeug entfernen, es mit einem Gummi- und Teerentferner, heißem Wasser oder Waschpetroleum reinigen. Verwenden Sie niemals Benzin.
  - **Stellen Sie vor Arbeitsbeginn sicher, dass der Hebel der Tiefeneinstellung und die Knebelmuttern fest angezogen sind.** Wenn sich während des Sägens das Sägeblatt verschiebt, kann dies zum Verkanten oder einem Rückschlag des Sägeblatts führen.
  - **Seien Sie besonders vorsichtig, wenn Sie einen "Tauschnitt" in Wänden oder anderen abgeschirmten Bereichen ausführen.** Das vorstehende Sägeblatt kann sonst Gegenstände absägen, die einen Rückschlag verursachen können. Ziehen Sie bei Tauschnitten die bewegliche Schutzhaube mithilfe des Hebels nach hinten.
  - **Halten Sie das Werkzeug STETS mit beiden Händen gut fest. Halten Sie NIEMALS Ihre Hand oder Ihre Finger hinter der Säge.** Im Fall eines Rückschlags kann unter Umständen die Säge über Ihre Hand zurückspringen, was schwere Personenschäden verursachen kann.
  - **Verwenden Sie die Säge niemals mit Gewalt. Ein Forcieren der Säge kann zu unebenen Schnitten, zu Ungenauigkeiten und möglicherweise zu Rückschlägen führen.** Schieben Sie die Säge mit einer Geschwindigkeit vor, die es ermöglicht, dass das Sägeblatt mit konstanter Geschwindigkeit sägt. **(Abb. 4)**
- 10. Prüfen Sie vor jeder Inbetriebnahme, ob die bewegliche Schutzhaube korrekt schließt. Verwenden Sie die Säge niemals, wenn die Schutzhaube sich nicht ungehindert bewegen und unverzüglich schließen lässt. Die bewegliche Schutzhaube darf niemals in der geöffneten Stellung festgeklemmt oder festgebunden werden.** Wenn Sie die Säge versehentlich fallen lassen, kann die bewegliche Schutzhaube sich verbiegen. Ziehen Sie zum Öffnen der beweglichen Schutzhaube den Hebel nach hinten und stellen Sie sicher, dass dieser frei beweglich ist und weder das Sägeblatt noch irgendein anderes Teil in keinem Schnittwinkel und keiner Schnitttiefe berührt. Um die bewegliche Schutzhaube auf ihre Funktion hin zu überprüfen, öffnen Sie diese von Hand, lassen Sie sie los und beobachten Sie deren Schließen. Stellen Sie auch sicher, dass der zurückschiebbare Griff nicht das Werkzeuggehäuse berührt. Ein offenes Sägeblatt ist SEHR GEFÄHRLICH und kann zu schweren Personenschäden führen.
- 11. Überprüfen Sie die Funktion der Feder für die bewegliche Schutzhaube. Wenn die Schutzhaube und Feder nicht ordnungsgemäß funktionieren, müssen Sie vor der Inbetriebnahme gewartet werden.** Die bewegliche Schutzhaube kann aufgrund von beschädigten Teilen, Gummirückständen oder



Ablagerungen unter Umständen in ihrer Funktionsweise beeinträchtigt sein.

12. Die bewegliche Schutzhaube sollte nur für spezielle Schnitte wie z. B. "Tauschnitt" und "Kombinationsschnitt" von Hand zurückgeschoben werden. Ziehen Sie zum Öffnen der beweglichen Schutzhaube den Hebel nach hinten und lassen Sie die Schutzhaube los, sobald das Sägeblatt in das Material eindringt. Für alle anderen Sägearbeiten sollte die bewegliche Schutzhaube automatisch funktionieren. Um einen Rückschlag zu vermeiden, stützen Sie das Brett oder das Werkstück nahe der Schnittstelle ab. Stützen Sie das Brett oder Werkstück nicht zu weit von der Schnittstelle ab.
13. Achten Sie stets darauf, dass die bewegliche Schutzhaube das Sägeblatt abdeckt, bevor Sie die Säge auf die Werkbank oder den Boden legen. Ein ungeschütztes, noch nachlaufendes Sägeblatt führt dazu, dass die Säge nach hinten läuft und dabei alles zersägt, was ihr im Weg steht. Beachten Sie, dass das Sägeblatt nach dem Auslösen des Schalters einige Zeit bis zum Stillstand benötigt. Warten Sie nach dem Bearbeitungsvorgang auf den Stillstand des Sägeblatts, überprüfen Sie die Schutzhaube auf geschlossene Stellung und setzen Sie das Werkzeug danach erst ab.
14. Seien Sie beim Sägen von feuchtem Holz, Spanplatten oder Holz, das Astlöcher enthält, besonders vorsichtig. Stellen Sie die Schnittgeschwindigkeit so ein, dass ein gleich bleibender Vorschub des Werkzeugs ohne eine Verringerung der Geschwindigkeit möglich ist.
15. Vermeiden Sie es, in Nägel zu sägen. Untersuchen Sie das Werkstück auf Nägel und entfernen Sie diese ggf. vor Arbeitsbeginn.
16. Setzen Sie das Werkzeug mit der großen Auflagefläche des Gleitschuhs auf den Teil des Werkstücks, der fest abgestützt wird, und nicht auf das abzuschneidende Material. Als Beispiele zeigt Abb. 5 den RICHTIGEN und Abb. 6 den FALSCHEN Weg für das Absägen des Brettendes. Wenn das Werkstück zu kurz oder zu klein ist, spannen Sie es ein. **VERSUCHEN SIE NIEMALS; KURZE WERKSTÜCKE PER HAND ZU HALTEN!**
17. Versuchen Sie niemals, die Kreissäge nach unten gerichtet in einen Schraubstock zu spannen. Dies ist äußerst gefährlich und kann zu schweren Unfällen führen. (Abb. 7)
18. Einige Materialien enthalten Chemikalien, die giftig sein können. Vermeiden Sie das Einatmen von Staub und den Kontakt mit der Haut. Befolgen Sie die Sicherheitshinweise des Materialherstellers.
19. Bremsen Sie die Maschine nicht durch seitlichen Druck auf das Sägeblatt ab.
20. Verwenden Sie stets die in diesem Handbuch empfohlenen Sägeblätter. Verwenden Sie keine Schleifscheiben.
21. Tragen Sie bei der Arbeit eine Staubmaske und Hörschutz.

## BEWAHREN SIE DIESE ANWEISUNGEN AUF

### WARNUNG:

**MISSBRAUCH** oder Missachtung der in diesem Handbuch enthaltenen Sicherheitshinweise können zu schweren Personenschäden führen.

## WICHTIGE SICHERHEITSANWEISUNGEN FÜR AKKUBLOCK

1. Lesen Sie vor der Verwendung des Akkublocks alle Anweisungen und Sicherheitshinweise für (1) das Akkuladegerät, (2) den Akku und (3) das Produkt, für das der Akku verwendet wird.
2. Der Akkublock darf nicht zerlegt werden.
3. Falls die Betriebsdauer erheblich kürzer wird, beenden Sie den Betrieb umgehend. Andernfalls besteht die Gefahr einer Überhitzung sowie das Risiko möglicher Verbrennungen und sogar einer Explosion.
4. Wenn Elektrolyt in Ihre Augen gerät, waschen Sie diese mit klarem Wasser aus, und suchen Sie sofort einen Arzt auf. Andernfalls können Sie Ihre Sehfähigkeit verlieren.
5. Vermeiden Sie einen Kurzschluss des Akkublocks:
  - (1) Die Kontakte des Akkus dürfen nicht mit leitendem Material in Berührung kommen.
  - (2) Der Akkublock darf nicht in einem Behälter aufbewahrt werden, in dem sich andere metallischen Gegenstände wie beispielsweise Nägel, Münzen usw. befinden.
  - (3) Der Akkublock darf weder Feuchtigkeit noch Regen ausgesetzt werden.Ein Kurzschluss des Akkus kann zu hohem Kriechstrom, Überhitzung, möglichen Verbrennungen und sogar zu einer Zerstörung des Geräts führen.
6. Werkzeug und Akkublock dürfen nicht an Orten aufbewahrt werden, an denen die Temperatur 50°C (122°F) oder höher erreichen kann.
7. Selbst wenn der Akkublock schwer beschädigt oder völlig verbraucht ist, darf er nicht angezündet werden. Der Akkublock kann in den Flammen explodieren.
8. Lassen Sie den Akku nicht fallen, und vermeiden Sie Schläge gegen den Akku.

## BEWAHREN SIE DIESE ANWEISUNGEN AUF

### Tipps für den Erhalt der maximalen Akkutilisierungsdauer

1. Laden Sie den Akkublock auf, bevor er ganz entladen ist. Beenden Sie stets den Betrieb des Werkzeugs, und laden Sie den Akkublock auf, sobald Sie eine verringerte Werkzeugleistung bemerken.
2. Ein voll aufgeladener Akkublock darf niemals erneut geladen werden. Durch Überladungen wird die Lebensdauer des Akkus verkürzt.
3. Laden Sie den Akkublock bei einer Zimmertemperatur von 10°C – 40°C (50°F – 104°C) auf. Lassen Sie einen heißen Akkublock vor dem Aufladen abkühlen.

## FUNKTIONSBESCHREIBUNG

### ACHTUNG:

- Schalten Sie das Werkzeug stets aus und entfernen Sie den Akkublock, bevor Sie Einstellungen oder eine Funktionsprüfung des Werkzeugs vornehmen.

## Montage und Demontage des Akkublocks (Abb. 8)

- Schalten Sie das Werkzeug stets aus, bevor Sie den Akkublock einsetzen oder entfernen.
- Zur Entfernung des Akkublocks müssen Sie diesen aus dem Werkzeug herausziehen, während Sie die Taste an der Seite des Blocks schieben.
- Zum Einsetzen des Akkublocks müssen Sie die Zunge des Akkublocks an der Rille im Gehäuse ausrichten und in die gewünschte Position schieben. Setzen Sie den Block immer ganz ein, bis er mit einem Klick einrastet. Wenn Sie den roten Bereich oben auf der Taste sehen können, ist der Block nicht ganz eingerastet. Setzen Sie ihn ganz ein, bis der rote Bereich nicht mehr zu sehen ist. Andernfalls kann der Block versehentlich aus dem Werkzeug fallen und Sie oder Personen in Ihrem Umfeld verletzen.
- Wenden Sie beim Einsetzen des Akkublocks keine Gewalt an. Wenn der Block nicht leicht hineingleitet, wird er nicht richtig eingesetzt.

## Einstellung der Schnitttiefe (Abb. 9)

### ACHTUNG:

- Ziehen Sie den Hebel nach der Einstellung der Schnitttiefe stets fest an.

Lösen Sie den Hebel an der Tiefenführung und verstellen Sie den Gleitschuh nach oben oder unten. Arretieren Sie den Gleitschuh an der gewünschten Schnitttiefe durch Festziehen des Hebels.

Für einen sauberen, sicheren Schnitt, setzen Sie die Schnitttiefe so, dass nur maximal ein Sägeblattzahn unter dem Werkstück herausragt. Die Verwendung der richtigen Schnitttiefe minimiert die Gefahr von RÜCKSCHLÄGEN, die zu Personenschäden führen können.

## Gehrungsschnitt (Abb. 10 und 11)

Lösen Sie den Hebel am Gehrungsanschlag an der Vorderseite. Neigen Sie das Werkzeug auf den gewünschten Winkel ( $0^\circ - 50^\circ$ ) und ziehen Sie anschließend den Hebel fest an. Verwenden Sie für genaue  $45^\circ$ -Gehrungsschnitte den  $45^\circ$ -Anschlag. Drehen Sie den Hebel für Gehrungsschnitte von  $0^\circ - 45^\circ$  nach rechts und für Gehrungsschnitte von  $0^\circ - 50^\circ$  nach links.

## Schnittlinie (Abb. 12)

Für Geradschnitte richten Sie die Position A an der Vorderseite des Gleitschuhs auf Ihre Schnittlinie aus. Für  $45^\circ$ -Gehrungsschnitte richten Sie die Position B an der Vorderseite des Gleitschuhs auf Ihre Schnittlinie aus.

## Bedienung des Schalters (Abb. 13)

### ACHTUNG:

- Achten Sie vor dem Einsetzen des Akkublocks in das Werkzeug darauf, dass sich der Auslöseschalter korrekt bedienen lässt und beim Loslassen auf die Position „OFF“ zurückkehrt.
- Drücken Sie niemals mit Gewalt auf die Auslöseschaltung, ohne dabei den Entriegelungshebel anzuziehen. Dies kann zu einer Beschädigung des Schalters führen.

Um die versehentliche Betätigung der Auslöseschaltung zu verhindern, ist das Werkzeug mit einer Einschaltsperrle ausgestattet. Betätigen Sie zum Starten des Werkzeugs die Auslöseschaltung, während Sie den Entriegelungshebel gedrückt halten. Lösen Sie die Auslöseschaltung aus, um das Werkzeug auszuschalten.

### WARNUNG:

- Zu Ihrer Sicherheit ist das vorliegende Werkzeug mit einem Entriegelungshebel ausgestattet, um zu verhindern, dass das Werkzeug versehentlich gestartet wird. Verwenden Sie NIEMALS das Werkzeug, wenn es durch einfaches Betätigen der Auslöseschaltung, ohne dass Sie dabei den Entriegelungshebel ziehen, startet. Geben Sie VOR dem weiteren Gebrauch das Werkzeug an ein MAKITA Servicecenter, um es dort ordnungsgemäß reparieren zu lassen.
- Kleben Sie NIEMALS den Entsperrungshebel zu oder verändern diesen, so dass er seinen Zweck und seine Funktion nicht mehr erfüllt.

## Einschalten der Lampe

### ACHTUNG:

- Schauen Sie nicht direkt in das Licht oder in die Lichtquelle.

Um nur das Licht einzuschalten, betätigen Sie die Auslöseschaltung, ohne den Entriegelungshebel zu drücken. Um das Licht und das Werkzeug einzuschalten, drücken Sie den Entriegelungshebel und betätigen Sie dabei die Auslöseschaltung.

### HINWEIS:

- Wischen Sie Schmutz auf der Linse mit einem trockenen Tuch ab. Achten Sie darauf, die Linse nicht zu verkratzen, da dies die Beleuchtungsstärke mindern kann.
- Verwenden Sie zur Reinigung der Linse kein Benzin, keinen Verdünner oder Ähnliches. Die Verwendung solcher Flüssigkeiten beschädigt die Linse.

## MONTAGE

### ACHTUNG:

- Schalten Sie das Werkzeug stets aus, und entfernen Sie den Akkublock, bevor Sie Arbeiten am Werkzeug ausführen.

## Montage und Demontage des Sägeblatts

### ACHTUNG:

- Montieren Sie das Sägeblatt so, dass seine Zähne an der Vorderseite der Maschine nach oben zeigen.
- Verwenden Sie nur den mitgelieferten Makita-Inbusschlüssel zum Demontieren oder Montieren des Sägeblatts.

Zur Demontage des Sägeblatts drücken Sie die Spindelarretierung, um ein Drehen des Sägeblatts zu verhindern, und lösen Sie die Schraube durch Linksdrehung des Inbusschlüssels. Nehmen Sie dann Sechskantbolzen, Außenflansch und Sägeblatt ab. (Abb. 14)

(Abb. 14)  
Zum Montieren des Sägeblatts befolgen Sie die Einbauprozedur rückwärts. DIE SCHRAUBE GEGEN DEN UHRZEIGERSINN FEST ANZIEHEN.

Vergessen Sie beim Austausch des Sägeblatts nicht, das angefallene Sägemehl vom oberen und unteren Blattschutz zu entfernen. Dies ersetzt jedoch nicht vor jeder Inbetriebnahme die Überprüfung der Funktion der beweglichen Schutzhaube. (Abb. 15)

## Aufbewahrung des Inbusschlüssels (Abb. 16)

Wenn Sie den Sechskantschlüssel nicht verwenden, bewahren Sie ihn wie in der Abbildung dargestellt auf, damit er nicht verloren geht.

## Anschluss eines Staubsaugers (Abb. 17 und 18)

Um größere Sauberkeit bei der Arbeit zu erzielen, schließen Sie einen Makita Staubsauger an Ihr Werkzeug an. Montieren Sie den Absaugstutzen mit den Schrauben an der Maschine. Bringen Sie den Absaugstutzen mithilfe der Schraube am Werkzeug an. Schließen Sie dann den Schlauch eines Staubsaugers an den Stutzen wie in der Abbildung dargestellt an.

## BETRIEB (Abb. 19)

### ACHTUNG:

- Schieben Sie den Akkublock stets vollständig ein, bis er einrastet. Wenn Sie den roten Bereich oben auf der Taste sehen können, ist der Block nicht ganz eingerastet. Setzen Sie ihn ganz ein, bis der rote Bereich nicht mehr zu sehen ist. Andernfalls kann der Block versehentlich aus dem Werkzeug fallen und Sie oder Personen in Ihrem Umfeld verletzen.
- Schieben Sie das Werkzeug beim Schneiden stets sachte vor. Übermäßige Druckausübung oder Verdrehen des Werkzeugs bewirken eine Überhitzung des Motors und gefährliche Rückschläge, die möglicherweise zu schweren Verletzungen führen können.
- Wenn das Werkzeug bis zur vollständigen Entladung des Akkus betrieben wurde, lassen Sie es 15 Minuten liegen, bevor Sie mit einem neuen Akku fortfahren.

Halten Sie das Werkzeug mit festem Griff. Das Werkzeug verfügt sowohl über einen vorderen als auch einen hinteren Griff.

Verwenden Sie beide Griffe, um so bestmöglich das Werkzeug zu umfassen. Wenn Sie die Säge mit beiden Händen festhalten, vermeiden Sie Verletzungen durch das Sägeblatt. Setzen Sie den Gleitschuh auf das zu schneidende Werkstück auf, ohne dass das Sägeblatt mit ihm in Berührung kommt. Schalten Sie anschließend das Werkzeug ein und warten Sie, bis das Sägeblatt die volle Drehzahl erreicht hat. Schieben Sie nun das Werkzeug flach und gleichmäßig über die Oberfläche des Werkstücks vor, bis der Schnitt vollendet ist.

Um saubere Schnitte zu erzielen, halten Sie eine gerade Schnittlinie und eine gleichmäßige Vorschubgeschwindigkeit ein. Wenn der Schnitt nicht genau Ihrer beabsichtigten Schnittlinie folgt, versuchen Sie nicht, das Werkzeug zurück zur Schnittlinie zu drehen oder mit Gewalt zu schieben. Dies kann zum Einklemmen des Sägeblatts führen und somit zu einem gefährlichen Rückschlag und möglicherweise zu schweren Verletzungen. Betätigen Sie den Schalter, warten Sie auf den Stillstand des Sägeblatts und ziehen Sie dann das Werkzeug zurück. Setzen Sie das Werkzeug an der neuen Schnittlinie an und starten Sie den Sägevorgang erneut. Versuchen Sie dabei, Positionen zu vermeiden, in denen der Bediener den entstehenden Sägespänen und -staub ausgesetzt ist. Tragen Sie eine Schutzbrille, um Verletzungen zu vermeiden.

## Parallelanschlag (Führungslinial) (Abb. 20)

Der praktische Parallelanschlag ermöglicht die Ausführung besonders genauer Geradschnitte. Schieben Sie den Parallelanschlag einfach satt anliegend gegen die Werkstückkante, und sichern Sie ihn mit der Feststellschraube an der Vorderseite des Gleitschuhs. Wiederholte Schnitte auf gleiche Breite sind ebenfalls möglich.

## WARTUNG

### ACHTUNG:

- Schalten Sie das Werkzeug stets aus und entfernen Sie den Akkublock, bevor Sie Inspektionen oder Wartungsarbeiten am Werkzeug vornehmen.

## Einstellung der 90°- und 45°-Schnittgenauigkeit (Vertikal- und 45°-Schnitt) (Abb. 21 und 22)

Diese Einstellung wurde werkseitig vorgenommen. Sollte Sie verstellt sein, müssen die Einstellschrauben mit einem Sechskantschlüssel nachjustiert werden, während das Sägeblatt mithilfe eines Einstelldreiecks, Anschlagwinkels, etc. in den Winkel von 90° oder 45° gebracht wird.

## Austausch der Kohlebürsten

Entfernen und überprüfen Sie die Kohlebürsten in regelmäßigen Abständen. Ersetzen Sie diese, wenn sie bis zur Grenzmarkierung abgenutzt sind. Halten Sie die Kohlebürsten sauber und sorgen Sie dafür, dass sie locker in den Halterungen liegen. Beide Kohlebürsten sollten gleichzeitig ersetzt werden. Verwenden Sie nur identische Kohlebürsten. (Abb. 23)

Verwenden Sie einen Schraubendreher, um die Bürstenhalterkappen zu entfernen. Entnehmen Sie die verbrauchten Kohlebürsten, legen Sie die neuen ein und bringen Sie die Bürstenhalterkappen wieder fest an.

### (Abb. 24)

Um die SICHERHEIT und ZUVERLÄSSIGKEIT des Produkts zu gewährleisten, sollten Reparaturen, Wartungsarbeiten und Einstellungen nur durch von Makita autorisierte Servicecenter durchgeführt und immer Makita-Ersatzteile verwendet werden.

## ZUBEHÖR

### ACHTUNG:

- Die folgenden Zubehör- und Zusatzteile werden für das in diesem Handbuch beschriebene Makita-Werkzeug empfohlen. Die Verwendung anderer Zubehör- und Zusatzteile kann zu Personenschäden führen. Verwenden Sie Zubehör- und Zusatzteile nur für den vorgesehenen Zweck.

Informationen zu diesem Zubehör erhalten Sie bei einem Makita-Servicecenter in Ihrer Nähe.

- Sägeblätter
- Parallelanschlag (Führungslinial)
- Sechskantschlüssel 5
- Verschiedene Arten von Makita-Originalakkus und -Ladegeräten
- Absaugstutzen

## ITALIANO

### Spiegazione della vista generale

- |                         |  |   |
|-------------------------|--|---|
| 1. Area rossa           | 12. Flangia interna                    | 23. Guida di taglio (regolo guida)          |
| 2. Pulsante             | 13. Lama della sega                    | 24. Vite di regolazione per il taglio a 45° |
| 3. Batteria             | 14. Flangia esterna                    | 25. Vite di regolazione per il taglio a 90° |
| 4. Leva                 | 15. Bullone esagonale                  | 26. Squadra triangolare                     |
| 5. Fermo                | 16. Ugello per la polvere (accessorio) | 27. Indicatore di limite                    |
| 6. Base                 | 17. Vite                               | 28. Coperchio supporto della spazzola       |
| 7. Linea di taglio      | 18. Tubo                               | 29. Cacciavite                              |
| 8. Interruttore         | 19. Aspiratore                         |   |
| 9. Sicura di accensione | 20. Maniglia posteriore                |   |
| 10. Blocco dell'albero  | 21. Impugnatura anteriore              |   |
| 11. Chiave esagonale    | 22. Vite di serraggio                  |   |

## CARATTERISTICHE TECNICHE

Modello	BSS610	
Diámetro lama	165 mm	
Profondità massima di taglio	a 90°	57 mm
	a 45°	40 mm
	a 50°	36 mm
Velocità senza carico (min <sup>-1</sup> )	3.700	
Lunghezza totale	347 mm	
Peso netto	3,2 kg	
Tensione nominale	18 V CC	

- Le caratteristiche tecniche riportate di seguito sono soggette a modifiche senza preavviso a causa del nostro programma continuo di ricerca e sviluppo.

- Nota: le caratteristiche tecniche possono differire da paese a paese.

### Uso previsto

L'utensile è progettato per l'esecuzione di tagli in legno, sia dritti in senso longitudinale e trasversale che obliqui, mantenendo un saldo contatto con il pezzo in lavorazione.

## REGOLE SPECIFICHE DI SICUREZZA

**NON lasciare che la familiarità acquisita con il prodotto in seguito all'uso ripetuto provochi l'inosservanza delle regole di sicurezza della sega circolare. Se questo utensile viene utilizzato in modo improprio o errato, è possibile subire lesioni personali gravi.**

### PERICOLO:

- Mantenere le mani lontane dall'area di taglio e dalla lama. Posare la mano che non impugna l'utensile sulla maniglia ausiliaria o sull'involucro del motore.** Se entrambe le mani vengono utilizzate per tenere la sega, non potranno essere colpite dalla lama.
- Non osservare il pezzo in lavorazione dalla parte inferiore.** Il coprilama non ha alcuna funzione di protezione al di sotto del pezzo in lavorazione. Non rimuovere il materiale residuo della lavorazione se la lama è in movimento.  
ATTENZIONE Le lame continuano a ruotare per inerzia dopo lo spegnimento della sega. Prima di rimuovere il materiale residuo della lavorazione, attendere che la lama si arresti completamente.
- Regolare la profondità di taglio in base allo spessore del pezzo in lavorazione.** La lama deve sporgere al di sotto del pezzo in lavorazione per meno della lunghezza di uno dei suoi denti.
- Non tenere mai il pezzo da tagliare tra le mani o sulle gambe. Fissare il pezzo in lavorazione a una**

**superficie stabile.** Per la sicurezza personale è importante ridurre al minimo l'eventualità di contatto con il corpo, di blocco della lama o di perdita del controllo dell'utensile.

La figura illustra il metodo corretto per il posizionamento delle mani e il sostegno del pezzo in lavorazione. (Fig. 1)

5. **Se vengono eseguite operazioni in cui l'utensile di taglio può toccare fili nascosti o il cavo di alimentazione dell'utensile, impugnare l'utensile utilizzando i punti di presa isolati.** Il contatto con un filo percorso da corrente farà sì che le parti metalliche esposte dell'utensile si trovino anch'esse sotto tensione provocando scosse elettriche all'operatore.
6. **Quando si eseguono tagli longitudinali, utilizzare sempre una guida di taglio.** In tal modo il taglio risulterà più accurato e il rischio di blocco della lama sarà ridotto.
7. **Utilizzare sempre lame con le appropriate dimensioni e sagoma (romboidale o rotonda) del foro dell'albero.** Le lame che non corrispondono alla sagoma o al supporto di montaggio della sega determinano una rotazione eccentrica e possono provocare la perdita del controllo dell'utensile.
8. **Non utilizzare rondelle o bulloni danneggiati o inappropriati per la lama.** Le rondelle e i bulloni forniti sono progettati appositamente per la sega e garantiscono prestazioni migliori e maggiore sicurezza.
9. **Causa e prevenzione dei contraccolpi**

- Un contraccolpo è una reazione improvvisa dovuta a frizioni, ostacoli o disallineamenti della lama di taglio, che provoca il sollevamento improvviso della sega. Quest'ultima, se non adeguatamente controllata, può allontanarsi dal pezzo in lavorazione e muoversi in direzione dell'operatore.
- Quando la lama è ostacolata o bloccata dalla chiusura delle due estremità del taglio, rimane in fase di stallo e la reazione del motore fa sì che la sega si muova rapidamente all'indietro verso l'operatore.
- Se la lama si incurva o si disallinea rispetto al taglio, i denti del bordo posteriore della lama colpiscono la superficie superiore del pezzo in lavorazione provocando la fuoriuscita della lama dal taglio e il movimento improvviso dell'utensile verso l'operatore.

I contraccolpi sono determinati dall'uso improprio della sega e/o da procedure o condizioni operative errate e possono essere evitati adottando le specifiche precauzioni illustrate di seguito.

- **Mantenere una salda presa con entrambe le mani sull'utensile e posizionare le braccia in modo da poter contrastare efficacemente i contraccolpi.** Posizionare il corpo a destra o a sinistra della lama, evitando di allinearla con la lama stessa. I contraccolpi possono provocare uno spostamento improvviso dell'utensile all'indietro, ma possono essere controllati dall'operatore adottando precauzioni appropriate. La figura illustra il corretto metodo di posizionamento delle mani e di supporto del pezzo in lavorazione.
- **Quando la lama è ostacolata o se si desidera interrompere il taglio per qualsiasi motivo, lasciare l'interruttore e attendere l'arresto completo della lama senza spostare la sega dal pezzo in lavorazione. Per evitare contraccolpi,**

**non rimuovere la sega dal pezzo in lavorazione e non tirarla all'indietro mentre la lama è in movimento.** Esaminare le condizioni operative e attuare gli interventi necessari per eliminare le cause del blocco della lama.

- **Quando si riavvia la sega con la lama inserita nel pezzo in lavorazione, centrare accuratamente la lama nel taglio e controllare che i denti non siano inseriti nel materiale.** Se la lama è bloccata o ostacolata, il riavvio della sega può provocare l'innalzamento improvviso dell'utensile o un contraccolpo.
- **Per ridurre il rischio di ostacolare la lama o il verificarci di contraccolpi, sostenere adeguatamente i pannelli di grandi dimensioni da tagliare.** I pannelli di grandi dimensioni tendono a flettersi sotto il loro stesso peso. Collocare i sostegni al di sotto del pannello su entrambi i lati, sia vicino alla linea di taglio che all'estremità del pannello.

Per ridurre il rischio di ostacolare la lama o il verificarci di contraccolpi, qualora occorra lasciare la sega sul pezzo in lavorazione, accertarsi di collocarla sulla parte più ampia e di lasciare libera di cadere la parte più piccola.

Per evitare contraccolpi, sostenere i pannelli vicino alla linea di taglio. (Fig. 2).

Non applicare i sostegni dei pannelli lontano dalla linea di taglio. (Fig. 3).

- **Non utilizzare lame non affilate o danneggiate.** Lame non affilate o in condizioni improprie producono tagli di spessore limitato e determinano il blocco della lama, una frizione eccessiva e pericolosi contraccolpi. Mantenere le lame affilate e pulite. Residui o incrostazioni di collanti e resina sulle lame possono rallentare il taglio e aumentano la possibilità di contraccolpi. Per pulire la lama, rimuoverla dall'utensile ed eliminare le incrostazioni con un solvente appropriato, acqua calda o kerosene. Non utilizzare benzina.
  - **Prima di eseguire il taglio, accertarsi di aver serrato accuratamente le leve di regolazione della profondità e dell'angolazione di taglio.** Se le leve di regolazione si muovono durante il taglio, la lama potrebbe bloccarsi e potrebbero verificarsi contraccolpi.
  - **Prestare particolare attenzione nel caso sia necessario eseguire tagli "ad immersione" inserendo la lama in una parete esistente o in un'altra superficie chiusa.** Avanzando, la parte sporgente della lama può colpire oggetti non visibili e determinare un contraccolpo. Nel caso di tagli ad immersione, far rientrare il coprilama inferiore con l'apposita maniglia.
  - **Tenere SEMPRE saldamente l'utensile con entrambe le mani. NON posizionare MAI le mani o le dita dietro la sega.** In caso di contraccolpi, la sega potrebbe arretrare improvvisamente e colpire le mani, determinando gravi lesioni.
  - **Non forzare mai la sega. In caso contrario il taglio non è netto, risulta inaccurato e si possono verificare contraccolpi.** Spingere la sega in avanti a una velocità tale che la lama esegua il taglio senza subire rallentamenti. (Fig. 4).
10. **Prima di utilizzare la sega, assicurarsi che il coprilama sia posizionato correttamente. Non utilizzare la sega se il coprilama non è libero di**

**muoversi e di chiudersi all'istante. Non bloccare il coprilama nella posizione aperta.** In caso di caduta accidentale dell'utensile, il coprilama potrebbe deformarsi. Sollevare il coprilama con l'apposita maniglia e accertarsi che sia libero di muoversi e che non tocchi la lama o altre parti dell'utensile, eseguendo prove con diverse angolazioni e profondità di taglio.

Per controllare il funzionamento del coprilama, aprirlo con le mani e quindi rilasciarlo osservando attentamente la modalità di chiusura. Controllare inoltre che la maniglia che consente di ritrarre il coprilama non tocchi l'involucro dell'utensile. Lasciare la lama scoperta è MOLTO PERICOLOSO e può determinare il rischio di lesioni personali gravi.

11. **Controllare il funzionamento della molla del coprilama. Se il coprilama e la molla non funzionano correttamente, prima di utilizzare la sega è necessario ripristinarne l'efficienza con gli opportuni interventi di manutenzione e/o riparazione.** Parti danneggiate e incrostazioni di resine, collanti o residui di lavorazione possono pregiudicare il corretto funzionamento del coprilama.
12. **Ritrarre manualmente il coprilama solo se si devono eseguire tagli speciali come tagli "ad immersione" o tagli "combinati".** Sollevare il coprilama utilizzando l'apposita maniglia e rilasciarlo subito dopo che la lama è entrata nel materiale. Per tutte le altre modalità di taglio, lasciare che il coprilama svolga automaticamente le sue funzioni. Per evitare contraccolpi, sostenere i pannelli vicino alla linea di taglio. Non applicare i sostegni dei pannelli lontano dalla linea di taglio.
13. **Prima di collocare la sega sul banco o sul pavimento, accertarsi sempre che il coprilama copra la lama.** Se la lama non è protetta ed è in rotazione, la sega si sposterà all'indietro tagliando tutto ciò che incontra sul suo percorso. Prestare attenzione al tempo necessario per il completo arresto della lama dopo aver rilasciato l'interruttore. Prima di posare la sega dopo aver completato il taglio, accertarsi che il coprilama sia chiuso e che la lama si sia completamente arrestata.
14. **Prestare particolare attenzione qualora si eseguano tagli in legno umido, truciolato o legno con nodi.** Regolare la velocità di taglio in modo che la sega avanzi con regolarità e la rotazione della lama non venga rallentata.
15. **Evitare di tagliare chiodi.** Prima di eseguire il taglio, esaminare attentamente il pezzo in lavorazione e rimuovere eventuali chiodi.
16. **Collocare la superficie più ampia della base della sega sulla parte del pezzo in lavorazione che poggia sui sostegni, non sulla parte destinata a cadere una volta eseguito il taglio.** A titolo di esempio, la Fig. 5 illustra il metodo di taglio CORRETTO, mentre la Fig. 6 mostra quello SCORRETTO. Se il pezzo in lavorazione è di dimensioni ridotte, bloccarlo in una morsa. **NON TENERE PEZZI DI RIDOTTE DIMENSIONI CON LE MANI.**
17. **Non utilizzare la sega circolare capovolgendola e bloccandola in una morsa.** Si tratta di una modalità operativa estremamente pericolosa che può provocare incidenti di grave entità. (Fig. 7)
18. **Alcuni materiali contengono prodotti chimici che possono essere tossici.** Fare attenzione ad

impedire l'inalazione della polvere e il contatto con la pelle. Attenersi alle istruzioni per la sicurezza del fornitore dei materiali.

19. **Non arrestare la lama applicando una pressione laterale sulla lama stessa.**
20. **Utilizzare esclusivamente le lame indicate nel presente Manuale. Non utilizzare dischi abrasivi.**
21. **Quando si utilizza lo strumento, indossare una protezione acustica e una maschera antipolvere.**

## CONSERVARE QUESTE ISTRUZIONI.

### AVVERTENZA:

L'USO IMPROPRIO o la mancata osservanza delle norme di sicurezza contenute in questo manuale può provocare lesioni personali gravi.

## ISTRUZIONI DI SICUREZZA IMPORTANTI PER LA BATTERIA

1. **Prima di utilizzare la batteria, leggere tutte le istruzioni e gli avvisi di sicurezza relativi a (1) caricabatteria, (2) batteria e (3) prodotto utilizzato con la batteria.**
2. **Non disassemblare la batteria.**
3. **Se il tempo di funzionamento è diventato eccessivamente breve, non utilizzare l'utensile. Potrebbero verificarsi surriscaldamenti, ustioni o esplosioni.**
4. **In caso di contatto dell'elettrolita della batteria con gli occhi, sciacquare con acqua fresca e rivolgersi immediatamente a un medico. Potrebbero verificarsi danni permanenti alla funzionalità visiva.**
5. **Non cortocircuitare la batteria.**
  - (1) **Non toccare i terminali della batteria con materiale in grado di condurre elettricità.**
  - (2) **Evitare di conservare le batterie a contatto con oggetti metallici quali chiodi, monete e così via.**
  - (3) **Non esporre le batterie all'acqua o alla pioggia. Un cortocircuito può provocare un elevato flusso di corrente, surriscaldamento, ustioni o rotture.**
6. **Non conservare l'utensile e la batteria a una temperatura superiore a 50 °C (122 °F).**
7. **Evitare di smaltire le batterie danneggiate o esaurite bruciandole. Se esposte al fuoco, le batterie possono esplodere.**
8. **Evitare di far cadere o di colpire la batteria.**

## CONSERVARE QUESTE ISTRUZIONI.

### Suggerimenti il prolungamento della durata della batteria

1. **Caricare le batterie prima di scaricarle completamente.**  
Se si nota una diminuzione di potenza dell'utensile, interrompere il lavoro e ricaricare la batteria.
2. **Non ricaricare una batteria già completamente carica.** In caso contrario, la durata operativa della batteria potrebbe ridursi.

3. **Caricare la batteria in ambienti con temperatura compresa tra 10 °C e 40 °C (50 °F - 104 °F). Prima di caricare una batteria surriscaldata, lasciarla raffreddare.**

## DESCRIZIONE FUNZIONALE

### ATTENZIONE:

- Prima di regolare o controllare le funzioni dell'utensile, verificare sempre di averlo spento e di aver rimosso la batteria.

### Installazione o rimozione della batteria (Fig. 8)

- Prima di inserire o rimuovere la batteria, spegnere sempre l'utensile.
- Per rimuovere la batteria, estrarla dall'utensile facendo scorrere il pulsante sul lato della batteria.
- Per inserire la batteria, allineare la linguetta sulla batteria con la scanalatura dell'alloggiamento e farla scorrere fino a raggiungere la posizione corretta. Inserire sempre la batteria fino a quando si blocca in posizione con uno scatto. Se l'area rossa del lato superiore del pulsante è ancora visibile, la batteria non è completamente inserita. Inserire la batteria fino a quando l'area rossa non è più visibile. In caso contrario la batteria può fuoriuscire accidentalmente e provocare lesioni all'operatore o a eventuali osservatori.
- Non applicare una forza eccessiva per inserire la batteria. Se la batteria non scorre agevolmente, la manovra di inserimento non è corretta.

### Regolazione della profondità di taglio (Fig. 9)

#### ATTENZIONE:

- Dopo aver regolato la profondità di taglio, serrare accuratamente la leva.

Allentare la leva presente sul lato della maniglia posteriore e spostare la base verso l'alto o verso il basso. Dopo aver raggiunto la profondità di taglio desiderata, fissare la base serrando la leva.

Per garantire la massima sicurezza e accuratezza, impostare la profondità di taglio in modo che dal pezzo in lavorazione fuoriesca solo un dente della lama. Una regolazione corretta della profondità di taglio consente di ridurre l'eventualità di pericolosi CONTRACCOLPI che possono provocare lesioni personali.

### Tagli obliqui (Fig. 10 e 11)

Allentare la leva della piastra di misura dell'inclinazione sulla parte frontale della base. Impostare l'angolo desiderato (0° - 50°) piegando la sega, quindi serrare saldamente la leva. Per eseguire tagli all'inclinazione esatta di 45°, utilizzare il fermo preimpostato a 45°.

Girare completamente il fermo in senso antiorario per i tagli obliqui da 0° - 45° e girarlo in senso orario per i tagli obliqui da 0° - 50°.

### Allineamento (Fig. 12)

Per tagli dritti, allineare la linea di taglio con la posizione A sulla parte frontale della base. Per tagli obliqui a 45°, allineare la linea di taglio alla posizione B.

## Azionamento dell'interruttore (Fig. 13)

### ATTENZIONE:

- Prima di inserire la batteria nell'utensile, controllare se l'interruttore funziona correttamente e ritorna alla posizione "SPENTO" una volta rilasciato.
- Non tirare troppo l'interruttore senza aver premuto la sicura di accensione. In caso contrario, l'interruttore potrebbe rompersi.

La sicura consente di evitare di azionare involontariamente l'interruttore di accensione. Per avviare lo strumento, premere la sicura di accensione e tirare l'interruttore. Per spegnerlo rilasciare l'interruttore di accensione.

### AVVERTENZA:

- Per la sicurezza personale, questo utensile è dotato di una sicura di accensione che impedisce azionamenti accidentali. Non usare MAI uno strumento che funzioni dopo aver tirato l'interruttore ma senza aver premuto la sicura di accensione. PRIMA di utilizzare nuovamente la sega, rivolgersi a un centro di assistenza MAKITA per le necessarie riparazioni.
- NON tentare di manomettere o impedire il corretto funzionamento della sicura di accensione.

## Accensione della lampada

### ATTENZIONE:

- Non osservare direttamente la luce o la fonte luminosa. Per accendere solo la lampada, premere l'interruttore di accensione senza premere la sicura di accensione. Per accendere la lampada e utilizzare la sega, premere la sicura e azionare l'interruttore tenendo premuta la sicura di accensione.

### NOTA:

- Utilizzare un panno asciutto per pulire la lente della lampada. Fare attenzione a non graffiare la lente della lampada per evitare riduzioni dell'intensità luminosa.
- Per pulire la lente della lampada non utilizzare diluenti, benzina o prodotti chimici analoghi. Queste sostanze possono danneggiare la lente.

## MONTAGGIO

### ATTENZIONE

- Prima di eseguire qualsiasi operazione sull'utensile, verificare sempre di averlo spento e di aver rimosso la batteria.

### Installazione o rimozione della lama della sega

#### ATTENZIONE

- Assicurarsi che la lama sia installata in modo che i denti siano rivolti verso la parte frontale dell'utensile.
- Per installare o rimuovere la lama utilizzare solo la chiave fornita da Makita.

Per rimuovere la lama, premere il blocco dell'albero in modo che la lama non possa ruotare e utilizzare la chiave per allentare il bullone esagonale in senso orario. Rimuovere il bullone esagonale, la flangia esterna e la lama. (Fig. 14).

Per installare la lama, attenersi alla procedura di installazione procedendo in senso inverso. ACCERTARSI DI AVER FISSATO SALDAMENTE IL BULLONE ESAGONALE RUOTANDOLO IN SENSO ANTIORARIO. Quando si sostituisce la lama, rimuovere gli accumuli di segatura dai coprilama superiore e inferiore. Queste operazioni di pulizia non sostituiscono la procedura di

controllo del funzionamento del coprilama inferiore, che deve comunque essere eseguita prima di ogni utilizzo. (Fig. 15).

## Alloggiamento della chiave esagonale (Fig. 16)

Per evitare di perdere la chiave esagonale quando non la si utilizza, collocarla nella posizione illustrata nella figura.

## Collegamento di un aspiratore (Fig. 17 e 18)

Se si desidera eseguire tagli senza produrre polvere, collegare all'utensile un aspiratore Makita. Installare il giunto sull'utensile utilizzando le viti. Installare l'ugello per la polvere sullo strumento usando la vite. Collegare quindi il tubo dell'aspiratore all'ugello per la polvere, come mostrato nella figura.

## FUNZIONAMENTO (Fig. 19)

### ATTENZIONE:

- Inserire la batteria completamente fino a quando si blocca in posizione con uno scatto. Se l'area rossa del lato superiore del pulsante è ancora visibile, la batteria non è completamente inserita. Inserire la batteria fino a quando l'area rossa non è più visibile. In caso contrario la batteria può fuoriuscire accidentalmente e provocare lesioni all'operatore o a eventuali osservatori.
- Accertarsi di spostare in avanti l'utensile procedendo in linea retta con regolarità e senza esercitare una pressione eccessiva. Se si forza o si sposta dalla linea di taglio l'utensile, il motore può surriscaldarsi e si possono verificare pericolosi contraccolpi che possono determinare lesioni personali gravi.
- Se si utilizza continuamente l'utensile fino alla completa scarica della batteria, attendere 15 minuti prima di continuare a utilizzarlo con una nuova batteria.

Tenere saldamente l'utensile con le mani. Lo strumento viene fornito con un'impugnatura frontale e una maniglia posteriore.

Utilizzarle entrambe per garantire la presa più sicura. Se entrambe le mani vengono utilizzate per tenere la sega, non potranno essere colpite dalla lama. Collocare la base sul pezzo in lavorazione senza che la lama entri in contatto con il materiale da tagliare. Accendere l'utensile e attendere che la lama raggiunga la massima velocità. Far avanzare l'utensile sulla superficie del pezzo in lavorazione, procedendo in piano e con regolarità fino al completamento del taglio.

Per ottenere tagli netti e accurati, avanzare in linea retta e con velocità costante. Se durante il taglio si devia dalla linea prevista, evitare di ruotare o forzare l'utensile in modo da ritornare sulla linea di taglio, perché la lama potrebbe bloccarsi e provocare pericolosi contraccolpi e lesioni personali. Rilasciare l'interruttore, attendere che la lama si arresti e quindi rimuovere l'utensile. Riallineare l'utensile con la nuova linea di taglio e riprendere la lavorazione. Evitare le posizioni che espongono l'operatore ai trucioli e alla polvere espulsi dalla sega. Per una maggiore sicurezza, indossare una protezione per gli occhi.

## Guida di taglio (regolo guida) (Fig. 20)

La pratica guida di taglio consente di realizzare tagli dritti accuratissimi. Far scorrere la guida di taglio mantenendola aderente a un lato del pezzo in lavorazione e fissarla in posizione con la vite sulla parte frontale della

base. La guida consente inoltre di realizzare tagli ripetuti mantenendo uniforme la larghezza del taglio.

## MANUTENZIONE

### ATTENZIONE:

- Prima di effettuare controlli o operazioni di manutenzione, verificare sempre di aver spento l'utensile e di aver rimosso la batteria.

## Regolazione dell'impostazione di taglio a 90° e 45° (taglio verticale e a 45°) (Fig. 21 e 22)

Questa regolazione è preimpostata dal produttore. In caso fosse necessario correggerla, mettere a punto l'impostazione con le viti di regolazione utilizzando una chiave esagonale e controllando che la lama formi un angolo di 90° o 45° con la base mediante una squadra triangolare oppure ad angolo retto.

## Sostituzione delle spazzole di carbone

Rimuovere e controllare periodicamente le spazzole di carbone. Sostituire le spazzole quando sono consumate fino al limite indicato. Mantenere le spazzole di carbone pulite e libere per farle slittare nei supporti. Entrambe le spazzole di carbone devono essere sostituite contemporaneamente. Utilizzare solo spazzole di carbone identiche. (Fig. 23).

Rimuovere le protezioni del supporto della spazzola con un cacciavite. Estrarre le spazzole di carbone consumate, inserire le nuove spazzole e fissare le protezioni del supporto della spazzola. (Fig. 24).

Per mantenere la SICUREZZA e l'AFFIDABILITÀ del prodotto, le riparazioni e qualsiasi altra operazione di manutenzione o regolazione devono essere eseguiti dai centri di assistenza autorizzati Makita utilizzando sempre parti di ricambio Makita.

## ACCESSORI

### ATTENZIONE:

- Questi accessori sono suggeriti per l'uso con l'utensile Makita descritto in questo manuale. L'uso di qualsiasi altro accessorio può determinare il rischio di lesioni personali. Utilizzare gli accessori esclusivamente per l'uso dichiarato.

Per assistenza e ulteriori informazioni su tali accessori, rivolgersi al centro di assistenza locale Makita.

- Lama della sega
- Guida di taglio (regolo guida)
- Chiave esagonale 5
- Numerosi modelli di batterie e caricabatteria originali Makita
- Ugello per la polvere



## NEDERLANDS

### Verklaring van het onderdelenoverzicht

1. Rode deel	11. Inbussleutel	20. Achterhandgreep
2. Knop	12. Binnenflens	21. Voor handgreep
3. Accu	13. Zaagblad	22. Klembout
4. Hendel	14. Buitenflens	23. Breedtegeleider (liniaal)
5. Aanslag	15. Inbusbout	24. Stelschroef voor 45°
6. Zool	16. Stofafzuigaansluitmond (accessoire)	25. Stelschroef voor 90°
7. Zaaglijn	17. Schroef	26. Geodriehoek
8. Aan/uit-schakelaar	18. Slang	27. Slijtgrensmarkering
9. Uit-vergrendeling	19. Stofzuiger	28. Koolborsteldop
10. Asvergrendeling		29. Schroevendraaier

## TECHNISCHE GEGEVENS

Model	BSS610	
Diameter zaagblad	165 mm	
Max. zaagdiepte	bij 90°	57 mm
	bij 45°	40 mm
	bij 50°	36 mm
Onbelaste snelheid (min <sup>-1</sup> )	3.700	
Totale lengte	347 mm	
Netto gewicht	3,2 kg	
Nominale spanning	18 V gelijkspanning	

- Als gevolg van ons doorlopende onderzoeks- en ontwikkelingsprogramma, zijn de technische gegevens van dit gereedschap onderhevig aan veranderingen zonder voorafgaande kennisgeving.
- Opmerking: De technische gegevens kunnen van land tot land verschillen.

### Gebruiksdoeleinden

Het gereedschap is bedoeld voor het recht zagen in de lengte- en breedterichting, en verstekzagen onder een hoek in hout, waarbij het gereedschap stevig in contact staat met het werkstuk.

## AANVULLENDE VEILIGHEIDSVORSCHRIFTEN

**Laat u NIET misleiden door een vals gevoel van comfort en bekendheid met het gereedschap (na veelvuldig gebruik) en neem alle veiligheidsvoorschriften van de cirkelzaag altijd strikt in acht. Bij onveilig of verkeerd gebruik van het gereedschap, bestaat de kans op ernstig persoonlijk letsel.**

### GEVAAR:

- 1. Houd uw handen uit de buurt van het zaaggebied en het zaagblad. Houd met uw andere hand de voorhandgreep of de behuizing van het gereedschap vast.** Als u de cirkelzaag met beide handen vasthoudt, kunt u nooit in uw handen zagen.
- 2. Reik nooit met uw handen onder het werkstuk.** De beschermkap kan u niet beschermen onder het werkstuk tegen het zaagblad. Probeer niet afgezaagd materiaal te verwijderen terwijl het zaagblad nog draait.  
LET OP: Het zaagblad draait nog na nadat het gereedschap is uitgeschakeld. Wacht totdat het zaagblad volledig tot stilstand is gekomen voordat u het afgezaagde materiaal vastpakt.
- 3. Stel de zaagdiepte in overeenkomstig de dikte van het werkstuk.** Minder dan een volledige tandhoogte dient onder het werkstuk uit te komen.
- 4. Houd het werkstuk waarin wordt gezaagd nooit vast met uw handen of benen. Zorg dat het werkstuk stabiel is ten opzichte van de ondergrond.** Het is belangrijk het werkstuk goed te ondersteunen om de kans te minimaliseren dat uw

lichaam eraan blootgesteld wordt, het zaagblad vastloopt of u de controle over het gereedschap verliest.

Afbeelding van goed vasthouden met uw handen en goede ondersteuning van het werkstuk. (zie afb. 1)

5. **Houd elektrisch gereedschap vast aan het geïsoleerde oppervlak van de handgrepen wanneer u werkt op plaatsen waar het zaaggereedschap met verborgen bedrading of zijn eigen snoer in aanraking kan komen.** Door contact met onder spanning staande draden, zullen ook de niet-geïsoleerde metalen delen van het elektrisch gereedschap onder spanning komen te staan zodat de gebruiker een elektrische schok kan krijgen.
6. **Gebruik bij het schulpen altijd de breedtegeleider of de langsgeleider.** Hierdoor wordt de nauwkeurigheid van het zagen vergroot en de kans op vastlopen van het zaagblad verkleint.
7. **Gebruik altijd zaagbladen met doorngaten van de juiste afmetingen en vorm (diamant versus rond).** Zaagbladen die niet goed passen op de bevestigingsmiddelen van de cirkelzaag, zullen excentrisch draaien waardoor u de controle over het gereedschap verliest.
8. **Gebruik nooit een beschadigde of verkeerde bouten en ringen om het zaagblad mee te bevestigen.** De bouten en ringen voor de bevestiging van het zaagblad zijn speciaal ontworpen voor gebruik met uw cirkelzaag voor optimale prestaties en veilig gebruik.
9. **Oorzaken van terugslag en wat de gebruiker hieraan kan doen:**

- Terugslag is een plotselinge reactie op een bekneld, vastgelopen of niet-uitgelijnd zaagblad, waardoor de oncontroleerbare cirkelzaag omhoog, uit het werkstuk en in de richting van de gebruiker gaat.
- Wanneer het zaagblad bekneld raakt of vastloopt doordat de zaagsnede naar beneden toe smaller wordt, vertraagt het zaagblad en komt als reactie de motor snel omhoog in de richting van de gebruiker.
- Als het zaagblad gebogen of niet-uitgelijnd raakt in de zaagsnede, kunnen de tanden aan de achterrand van het zaagblad zich in het bovenoppervlak van het hout vreten, waardoor het zaagblad uit de zaagsnede klimt en omhoog springt in de richting van de gebruiker.

Terugslag is het gevolg van misgebruik van de cirkelzaag en/of onjuiste gebruikprocedures of -omstandigheden, en kan worden voorkomen door goede voorzorgsmaatregelen te treffen, zoals hieronder vermeld:

- **Houd de cirkelzaag stevig vast met beide handen en houdt uw armen zodanig dat een terugslag wordt opgevangen. Plaats uw lichaam zijwaarts versprongen van het zaagblad en niet in een rechte lijn erachter.** Door terugslag kan de cirkelzaag achterwaarts springen, maar de kracht van de terugslag kan met de juiste voorzorgsmaatregelen door de gebruiker worden opgevangen. Afbeelding van goed vasthouden met uw handen en goede ondersteuning van het werkstuk.
- **Wanneer het zaagblad vastloopt, of wanneer u om een of andere reden het zagen onderbreekt, laat u de aan/uit-schakelaar los en houdt u de cirkelzaag stil in het materiaal totdat het zaagblad volledig tot stilstand is gekomen. Probeer nooit het zaagblad uit het werkstuk te halen of de cirkelzaag naar achteren te trekken,**

**terwijl het zaagblad nog draait omdat hierdoor een terugslag kan optreden.** Onderzoek waarom het zaagblad is vastgelopen en tref afdoende maatregelen om de oorzaak ervan op te heffen.

- **Wanneer u de cirkelzaag weer inschakelt terwijl het zaagblad in het werkstuk zit, plaatst u het zaagblad in het midden van de zaagsnede en controleert u dat de tanden niet in het materiaal grijpen.** Als het zaagblad is vastgelopen, kan wanneer de cirkelzaag wordt ingeschakeld het zaagblad uit het werkstuk lopen of terugslaan.
- **Ondersteun grote platen om de kans te minimaliseren dat het zaagblad bekneld raakt of terugslaat.** Grote platen neigen door te zakken onder hun eigen gewicht. U moet de plaat ondersteunen aan beide zijranden, vlakbij de zaaglijn en vlakbij het uiteinde.

De kans te minimaliseren dat het zaagblad vastloopt Wanneer het noodzakelijk is om tijdens het zagen de cirkelzaag tot stilstand te brengen op het werkstuk, moet de cirkelzaag op het grootste deel rusten terwijl het kleinste deel wordt afgezaagd.

Ondersteun de plank of plaat vlakbij de zaaglijn om terugslag te voorkomen (zie afb. 2).

Ondersteun de plank of plaat niet op grote afstand van de zaaglijn (zie afb. 3).

- **Gebruik een bot of beschadigd zaagblad niet meer.** Niet-geslepen of verkeerd gezette tanden maken een smalle zaagsnede wat leidt tot grote wrijving, vastlopen en terugslag. Houd het zaagblad scherp en schoon. Gom of hars dat op het zaagblad is opgedroogd vertraagt het zaagblad en verhoogt de kans op terugslag. Houd het zaagblad schoon door dit eerst van het gereedschap te demonteren en het vervolgens schoon te maken met een reinigingsmiddel voor gom en hars, heet water of kerosine. Gebruik nooit benzine.
- **De vergrendelhendels voor het instellen van de zaagbladdiepte en verstelhoek moeten vastzitten alvorens te beginnen met zagen.** Als de instellingen van het zaagblad zich tijdens het zagen wijzigen, kan dit leiden tot vastlopen of terugslag.
- **Wees extra voorzichtig wanneer u een 'blinde' zaagsnede maakt in een bestaande wand of een andere plaats waarvan u de onderkant van het zaagoppervlak niet kunt zien.** Wanneer het zaagblad door het materiaal heen breekt, kan het een voorwerp raken waardoor een terugslag optreedt. Bij het maken van een 'blinde' zaagsnede opent u de onderste beschermkap met behulp van de terugtrekhandel.
- **Houd het gereedschap ALTIJD met beide handen stevig vast. Plaats NOOIT uw hand of vingers achter het zaagblad.** Als een terugslag optreedt, kan het zaagblad gemakkelijk achteruit en over uw hand springen waardoor ernstig persoonlijk letsel ontstaat.
- **Dwing de cirkelzaag nooit. Als u het zaagblad dwingt, kan dat leiden tot een ongelijkmatige zaagsnede, verminderde nauwkeurigheid en mogelijke terugslag.** Duw de cirkelzaag vooruit met een snelheid waarbij het zaagblad niet vertraagt (zie afb. 4).

10. **Controleer voor ieder gebruik of de onderste beschermkap goed sluit. Gebruik de cirkelzaag niet als de onderste beschermkap niet vrij kan**

**bewegen en onmiddellijk sluit. Zet de onderste beschermkap nooit vast in de geopende stand.** Als u de cirkelzaag per ongeluk laat vallen, kan de onderste beschermkap worden verbogen. Til de onderste beschermkap op aan de terugtrekhandel en controleer dat deze vrij kan bewegen en niet het zaagblad of enig ander onderdeel raakt, onder alle verstekhoeken en op alle zaagdiepten.

U kunt de onderste beschermkap controleren, door deze met de hand te openen, los te laten en te kijken hoe hij sluit. Controleer tevens of de terugtrekhandel de behuizing van het gereedschap niet raakt. Het zaagblad onbeschermd laten is UITERST GEVAARLIJK en kan leiden tot ernstig persoonlijk letsel.

- 11. Controleer de werking van de veer van de onderste beschermkap. Als de beschermkap en de veer niet goed werken, dienen deze te worden gerepareerd voordat de cirkelzaag wordt gebruikt.** De onderste beschermkap kan traag werken als gevolg van beschadigde onderdelen, gom- of hardafzetting, of opeenhoping van vuil.
- 12. De onderste beschermkap mag alleen met de hand worden geopend voor het maken van speciale zaagsneden, zoals een 'blinde' zaagsnede en 'samengestelde' zaagsnede. Til de onderste beschermkap op aan de terugtrekhandel en laat deze los zodra het zaagblad in het materiaal zaagt.** Bij alle andere typen zaagsneden, dient de onderste beschermkap automatisch te werken. Ondersteun de plank of plaat vlakbij de zaaglijn om terugslag te voorkomen. Ondersteun de plank of plaat niet op grote afstand van de zaaglijn.
- 13. Let er altijd op dat de onderste beschermkap het zaagblad bedekt voordat u de cirkelzaag op een werkbak of vloer neerlegt.** Een onbeschermd zaagblad dat nog nadraait, zal de cirkelzaag achteruit doen lopen waarbij alles op zijn weg wordt gezaagd. Denk aan de tijd die het duurt nadat de cirkelzaag is uitgeschakeld voordat het zaagblad stilstaat. Voordat u het gereedschap neerlegt na het voltooiën van een zaagsnede, controleert u dat de onderste beschermkap gesloten is en het zaagblad volledig tot stilstand is gekomen.
- 14. Wees extra voorzichtig bij het zagen in nat hout, druk-behandeld timmerhout en hout met knoesten.** Pas de snelheid van het zagen aan zodat de cirkelzaag soepel vooruit blijft gaan zonder dat de snelheid van het zaagblad lager wordt.
- 15. Voorkom dat u in spijkers zaagt. Inspecteer het hout op spijkers en verwijder deze zonnodig voordat u begint te zagen.**
- 16. Plaats het bredere deel van de zool van de cirkelzaag op het deel van het werkstuk dat goed is ondersteund, en niet op het deel dat omhoog valt nadat de zaagsnede gemaakt is. Als voorbeeld laat afbeelding 5 zien hoe u het uiteinde van een plank GOED afzaagt, en afbeelding 6 hoe u dit VERKEERD doet. Als het werkstuk kort of smal is, klemt u het vast. PROBEER NOOIT EEN KORT WERKSTUK IN UW HANDEN VAST TE HOUDEN!**
- 17. Probeer nooit te zagen waarbij de cirkelzaag ondersteboven in een bankschroef is geklemd. Dit is uiterst gevaarlijk en kan leiden tot ernstig persoonlijk letsel (zie afb. 7).**
- 18. Sommige materialen bevatten chemische stoffen die giftig kunnen zijn. Neem voorzorgsmaatregelen tegen het inademen van stof en contact met de huid.**

Volg de veiligheidsinstructies van de leverancier van het materiaal op.

- 19. Breng het zaagblad niet tot stilstand door zijdelings op het zaagblad te drukken.**
- 20. Gebruik altijd zaagbladen die in deze gebruiksaanwijzing aanbevolen worden. Gebruik geen slijpschijven.**
- 21. Draag een stofmasker en gehoorbescherming tijdens gebruik van het gereedschap.**

## BEWAAR DEZE VOORSCHRIFTEN

### WAARSCHUWING:

**VERKEERD GEBRUIK** of het niet volgen van de veiligheidsinstructies in deze gebruiksaanwijzing kan leiden tot ernstig persoonlijk letsel.

## BELANGRIJKE VEILIGHEIDSLINSTRUCTIES VOOR ACCU'S

- 1. Alvorens de accu in gebruik te nemen, leest u eerst alle instructies en waarschuwingsofschriften op (1) de acculader, (2) de accu en (3) het apparaat waarin de accu wordt aangebracht.**
- 2. Haal de accu niet uit elkaar.**
- 3. Als de gebruikstijd aanzienlijk korter is geworden, stopt u onmiddellijk met het gebruik. Anders kan dit leiden tot kans op oververhitting, mogelijke brandwonden en zelfs een explosie.**
- 4. Als de elektrolyt in uw ogen komt, wast u deze uit met schoon water en raadpleegt u onmiddellijk een arts. Dit kan leiden tot verlies van gezichtsvermogen.**
- 5. Sluit de accu niet kort:**
  - (1) Raak de accupolen niet aan met enig geleidend materiaal.**
  - (2) Bewaar de accu niet op een plaats waar deze in aanraking kan komen met andere metalen voorwerpen, zoals spijkers, munten, enz.**
  - (3) Stel de accu niet bloot aan water of regen.****Kortsluiting van de accu kan leiden tot een hoge stroomsterke, oververhitting, mogelijke brandwonden en zelfs een defect.**
- 6. Bewaar het gereedschap en de accu niet op plaatsen waar de temperatuur kan oplopen tot 50 °C of hoger.**
- 7. Werp de accu niet in een vuur, zelfs niet als deze al ernstig beschadigd of helemaal versleten is. De accu kan in een vuur exploderen.**
- 8. Wees voorzichtig dat u de accu niet laat vallen of ergens tegenaan stoot.**

## BEWAAR DEZE VOORSCHRIFTEN

### Tips voor een lange levensduur van de accu

- 1. Laad de accu op voordat deze volledig leeg is. Wanneer u merkt dat het gereedschap minder vermogen heeft, stopt u met het gebruik ervan en laadt u eerst de accu op.**
- 2. Laad nooit een volledig opgeladen accu op. Te lang opladen verkort de levensduur van de accu.**
- 3. Laad de accu op bij een omgevingstemperatuur van 10 °C t/m 40 °C. Laat een warme accu eerst afkoelen voordat u deze oplaadt.**

# BESCHRIJVING VAN DE FUNCTIES

## LET OP:

- Controleer altijd of het gereedschap is uitgeschakeld en de accu is verwijderd alvorens de functies van het gereedschap te controleren of af te stellen.

## De accu aanbrengen en verwijderen (zie afb. 8)

- Schakel het gereedschap altijd uit voordat u de accu aanbrengt of verwijdert.
- Om de accu te verwijderen vershuift u de knop aan de zijkant van de accu en trekt u tegelijkertijd de accu uit het gereedschap.
- Om de accu aan te brengen lijnt u de lip op de accu uit met de groef in de behuizing en duwt u de accu op zijn plaats. Steek de accu zo ver mogelijk in het gereedschap tot u een klikgeluid hoort. Als u het rode deel aan de bovenkant van de knop kunt zien, is de accu niet goed aangebracht. Steek de accu zo ver mogelijk erin tot het rode deel niet meer zichtbaar is. Als u dit niet doet, kan de accu per ongeluk uit het gereedschap vallen en u of anderen in uw omgeving verwonden.
- Oefen geen grote kracht uit bij het aanbrengen van de accu. Als de accu niet gemakkelijk in het gereedschap kan worden gestoken, wordt deze niet goed aangebracht.

## De zaagdiepte instellen (zie afb. 9)

### LET OP:

- Nadat u de zaagdiepte hebt ingesteld, zet u de hendel altijd stevig vast.

Zet de hendel los aan de zijkant van de achterhandgreep en beweeg de zool omhoog en omlaag. Zet de zool vast op de gewenste zaagdiepte door de hendel vast te zetten.

Voor een schonere, veiligere zaagsnede, stelt u de zaagdiepte zodanig in dat niet meer dan een tandhoogte door het werkstuk heen steekt. Door de zaagdiepte goed in te stellen, verkleint u de kans op een potentieel gevaarlijke TERUGSLAG, en daarmee op persoonlijk letsel.

## Verticaal verstekzagen (zie afb. 10 en 11)

Zet de hendel van de verstekschaalverdeling aan de voorkant van de zool van het gereedschap los. Stel de gewenste verstekhoek in ( $0^\circ - 50^\circ$ ) door dienovereenkomstig te kantelen, en zet vervolgens de hendel weer vast. Gebruik de  $45^\circ$  aanslag wanneer u precies onder een hoek van  $45^\circ$  wilt verstekzagen. Draai de aanslag volledig linksom voor verstekzagen onder een hoek van  $0^\circ$  t/m  $45^\circ$ , en draai deze rechtsom voor verstekzagen onder een hoek van  $0^\circ$  t/m  $50^\circ$ .

## Zichtlijn (zie afb. 12)

Voor recht zagen lijnt u de positie A op de voorkant van de zool uit met de zaaglijn. Voor verstekzagen onder een hoek van  $45^\circ$ , gebruikt u hiervoor positie B.

## Aan/uit-schakelaar (zie afb. 13)

### LET OP:

- Controleer altijd, voordat u de accu in het gereedschap steekt, of de aan/uit-schakelaar op de juiste manier schakelt en weer terugkeert naar de uit-stand nadat deze is losgelaten.
- Knijp de aan/uit-schakelaar niet hard in zonder de uit-vergrendeling in te duwen. Hierdoor kan de aan/uit-schakelaar kapot gaan.

Om te voorkomen dat de aan/uit-schakelaar per ongeluk wordt bediend, is een uit-vergrendeling aangebracht. Om het gereedschap te starten, duwt u de uit-vergrendeling in

en knijpt u de aan/uit-schakelaar in. Laat de aan/uit-schakelaar los om het gereedschap te stoppen.

### WAARSCHUWING:

- Omwille van uw veiligheid is dit gereedschap uitgerust met een uit-vergrendeling die voorkomt dat het gereedschap onbedoeld wordt ingeschakeld. Gebruik het gereedschap NOOIT wanneer dit draait door gewoon de aan/uit-schakelaar in te knijpen zonder de uit-vergrendeling in te duwen. Stuur het gereedschap voor deugdelijke reparatie terug naar een MAKITA-servicecentrum ALVORENS het verder te gebruiken.
- U mag NOOIT de uit-vergrendeling met plakband vastzetten of anderszins de werking en functie ervan te niet doen.

## De lamp inschakelen

### LET OP:

- Kijk niet rechtstreeks in het licht of naar de bron van de lamp.

U kunt de lamp inschakelen door gewoon de aan/uit-schakelaar in te knijpen zonder de uit-vergrendeling te bedienen. Om de lamp en het gereedschap in te schakelen, bedient u de uit-vergrendeling en knijpt u tegelijkertijd de aan/uit-schakelaar in.

### OPMERKING:

- Gebruik een doek om het vuil van de lens van de lamp te vegen. Wees voorzichtig de lens van de lamp niet te bekrassen om de lichtopbrengst niet te verlagen.
- Gebruik geen benzine, thinner of soortgelijk middel om de lens van de lamp te reinigen. Dergelijke middelen zullen de lens beschadigen.

## ONDERDELEN AANBRENGEN/ VERWIJDEREN

### LET OP:

- Controleer altijd of het gereedschap is uitgeschakeld en de accu is verwijderd alvorens enige werkzaamheden aan het gereedschap te verrichten.

## Het zaagblad aanbrengen en verwijderen

### LET OP:

- Verzeker u ervan dat het zaagblad zodanig wordt aangebracht dat de tanden aan de voorkant van het gereedschap omhoog wijzen.
- Gebruik uitsluitend de Makita-inbusseutel voor het aanbrengen en verwijderen van het zaagblad.

Als u het zaagblad wilt verwijderen, drukt u eerst de asvergrendeling in zodat het zaagblad niet meer kan draaien, en gebruikt u vervolgens de inbusseutel om de inbusbout rechtsom los te draaien. Verwijder tenslotte de inbusbout, de buitenflens en het zaagblad (**zie afb. 14**).

Om het zaagblad aan te brengen, volgt u de procedure in omgekeerde volgorde. ZORG ERVOOR DAT U DE INBUSBOUT LINKSOM STEVIG VASTDRAAIT.

Vergeet niet tijdens het verwisselen van het zaagblad ook de bovenste en onderste beschermkappen te ontdoen van opgehoopt zaagsel. Ondanks dergelijk onderhoud blijft het noodzakelijk de werking van de onderste beschermkap voor ieder gebruik te controleren (**zie afb. 15**).

## Opbergplaats van de inbusseutel (zie afb. 16)

Wanneer u de inbusseutel niet gebruikt, bergt u deze op de plaats aangegeven in de afbeelding op, om te voorkomen dat deze wordt verloren.

## Aansluiten op een stofzuiger (zie afb. 17 en 18)

Wanneer u tijdens het zagen schoon wilt werken, sluit u een Makita-stofzuiger aan op uw gereedschap. Monteer de stofafzuigaansluitmond op het gereedschap met behulp van de schroef. Sluit vervolgens de stofzuigerslang aan op de stofafzuigaansluitmond, zoals aangegeven in de afbeelding.

## BEDIENING (zie afb. 19)

### LET OP:

- Steek de accu altijd zo ver mogelijk in het gereedschap totdat deze met een klik wordt vergrendeld. Als u het rode deel aan de bovenkant van de knop kunt zien, is de accu niet goed aangebracht. Steek de accu zo ver mogelijk erin tot het rode deel niet meer zichtbaar is. Als u dit niet doet, kan de accu per ongeluk uit het gereedschap vallen en u of anderen in uw omgeving verwonden.
- Duw het gereedschap voorzichtig in een rechte lijn naar voren. Als u het gereedschap dwing of verdraait, zal de motor oververhit raken en het gereedschap gevaarlijk terugslaan waardoor ernstig letsel kan worden veroorzaakt.
- Als het gereedschap continu wordt bediend totdat de accu leeg is, laat u het gereedschap gedurende 15 minuten liggen alvorens verder te werken met een volle accu.

Houd het gereedschap stevig vast. Het gereedschap is voorzien van zowel een voorhandgreep als een achterhandgreep.

Gebruik beide om het gereedschap zo goed mogelijk vast te houden. Als u de cirkelzaag met beide handen vasthoudt, kunt u nooit in uw handen zagen. Plaats eerst de zool op het werkstuk dat u wilt zagen, zonder dat het zaagblad het werkstuk raakt. Schakel vervolgens het gereedschap in en wacht totdat het zaagblad op volle snelheid draait. Duw het gereedschap nu gewoon naar voren over het oppervlak van het werkstuk, houd het daarbij vlak, en duw gelijkmatig totdat het zagen klaar is.

Zorg voor een schone zaagsnede voor een rechte zaaglijn en een constante voortgaande snelheid. Als de zaagsnede niet verloopt volgens de voorgenomen zaaglijn, mag u niet proberen het gereedschap iets te draaien of te dwingen terug te keren naar de zaaglijn. Als u dit doet, kan het zaagblad vastlopen en een gevaarlijke terugslag optreden met mogelijk ernstig persoonlijk letsel tot gevolg. Laat de aan/uit-schakelaar los, wacht tot het zaagblad tot stilstand is gekomen en trek vervolgens het gereedschap terug. Lijn het gereedschap opnieuw uit met een nieuwe zaaglijn en begin weer te zagen. Probeer te vermijden dat door de positie van het gereedschap de gebruiker wordt blootgesteld aan zaagsel en spaanders die door het gereedschap worden uitgeworpen. Gebruik oogbescherming om verwonding te voorkomen

## Breedtegeleider (liniaal) (zie afb. 20)

Met de handige breedtegeleider kunt u extra nauwkeurig recht zagen. Schuif gewoon de breedtegeleider strak tegen de zijkant van het werkstuk en zet deze op zijn plaats vast met behulp van de schroef op de voorkant van de zool van het gereedschap. Op deze manier is het tevens mogelijk een zaagbeweging te herhalen met identieke breedte.

## ONDERHOUD

### LET OP:

- Zorg er altijd voor dat de machine is uitgeschakeld en de accu is verwijderd, voordat u een inspectie of onderhoud uitvoert.

## De nauwkeurigheid van de zaaghoeken 90° (verticaal) en 45° (verstek) instellen (zie afb. 21 en 22)

Deze instelling is reeds in de fabriek gemaakt. Maar als dit niet meer juist is, draait u de instelbouten met een inbussleutel terwijl u de zaaghoek van 90° of 45° tussen het zaagblad en de zool van het gereedschap controleert met behulp van een winkelhaak, geodriehoek, enz.

## De koolborstels vervangen

Verwijder en controleer de koolborstels regelmatig. Vervang deze wanneer ze tot aan de slijtgrensmarkering zijn afgesleten. Houd de koolborstels schoon en zorg ervoor dat ze vrij kunnen bewegen in de houders. Beide koolborstels dienen tegelijkertijd te worden vervangen. Gebruik alleen identieke koolborstels (zie afb. 23).

Gebruik een schroevendraaier om de koolborsteldoppen te verwijderen. Haal de versleten koolborstels eruit, plaats de nieuwe erin, en zet de koolborsteldoppen goed vast (zie afb. 24).

Om de VEILIGHEID en BETROUWBAARHEID van het gereedschap te handhaven, dienen alle reparaties, onderhoud en afstellingen te worden uitgevoerd door een erkend Makita-servicecentrum, en altijd met gebruikmaking van originele Makita-vervangingsonderdelen.

## ACCESSOIRES

### LET OP:

- Deze accessoires of hulpstukken worden aanbevolen voor gebruik met het Makita-gereedschap dat in deze gebruiksaanwijzing wordt beschreven. Het gebruik van andere accessoires of hulpstukken kan gevaar voor persoonlijk letsel opleveren. Gebruik de accessoires of hulpstukken uitsluitend voor de aangegeven gebruiksdoeleinden.

Mocht u meer informatie willen hebben over deze accessoires, dan kunt u contact opnemen met uw plaatselijke Makita-servicecentrum.

- Zaagblad
- Breedtegeleider (liniaal)
- Inbussleutel 5
- Diverse types originele Makita-accu's en acculaders
- Stofafzuigaansluitmond

## Explicación de los dibujos

- |                           |                                   |                                  |
|---------------------------|-----------------------------------|----------------------------------|
| 1. Parte roja             | 11. Llave Allen                   | 21. Empuñadura delantera         |
| 2. Botón                  | 12. Brida interior                | 22. Tornillo de apriete          |
| 3. Cartucho de la batería | 13. Hoja de sierra                | 23. Tope lateral (regla de guía) |
| 4. Palanca                | 14. Brida exterior                | 24. Tornillo de ajuste para 45°  |
| 5. Tope                   | 15. Tornillo hexagonal            | 25. Tornillo de ajuste para 90°  |
| 6. Base                   | 16. Boquilla de polvo (accesorio) | 26. Escuadra                     |
| 7. Línea de corte         | 17. Tornillo                      | 27. Marca de límite              |
| 8. Interruptor disparador | 18. Manguera                      | 28. Tapa del portaescobillas     |
| 9. Palanca de bloqueo     | 19. Aspirador                     | 29. Destornillador               |
| 10. Bloqueo del eje       | 20. Mango trasero                 |                                  |

## ESPECIFICACIONES

Modelo		BSS610
Diámetro del disco		165 mm
Profundidad de corte máxima	a 90°	57 mm
	a 45°	40 mm
	a 50°	36 mm
Velocidad en vacío (mín <sup>-1</sup> )		3.700
Longitud total		347 mm
Peso neto		3,2 kg
Tensión nominal		CC de 18V

- Debido a nuestro programa continuo de investigación y desarrollo, las especificaciones aquí descritas están sujetas a cambios sin previo aviso.
- Nota: las especificaciones pueden ser diferentes de un país a otro.

### Uso previsto

La herramienta está diseñada para realizar cortes rectos y cortes a inglete longitudinal y transversalmente en madera mientras mantiene un firme contacto con la pieza de trabajo.

## NORMAS ESPECÍFICAS DE SEGURIDAD

**NO deje que la comodidad o la familiaridad con el producto (a base de utilizarlo repetidamente) sustituya la estricta observancia de las normas de seguridad para la sierra circular. Si utiliza esta herramienta de forma no segura o incorrecta, puede sufrir graves daños corporales.**

### PELIGRO:

1. **Mantenga las manos alejadas del área de corte y de la hoja. Mantenga su segunda mano en el mango auxiliar o en el alojamiento del motor.** Si ambas manos sujetan la sierra no pueden sufrir cortes de la hoja.
2. **Nunca se ponga debajo de la pieza de trabajo.** El protector no puede protegerle de la sierra debajo de la pieza de trabajo. No intente retirar material cortado cuando la hoja se está moviendo.  
PRECAUCIÓN: Las hojas siguen girando por inercia después de apagar la herramienta. Espere hasta que la hoja se detenga antes de recoger el material cortado.
3. **Ajuste la profundidad de corte al grosor de la pieza de trabajo.** Debe verse menos de un diente completo por debajo de la pieza de trabajo.
4. **Nunca sujete la pieza que se está cortando en sus manos o entre sus piernas. Fije la pieza de trabajo a una plataforma estable.** Es importante sujetar la pieza de trabajo correctamente para minimizar la exposición del cuerpo, el agarrotamiento de la hoja o la pérdida de control.

Ilustración típica de la correcta colocación de las manos y del correcto soporte de la pieza de trabajo. (Fig. 1)

5. **Sujete la herramienta eléctrica por las superficies de agarre aisladas al realizar una operación en que la herramienta de corte pueda entrar en contacto con cables ocultos o con su propio cable.** Si entra en contacto con un cable con corriente, las piezas metálicas expuestas de la herramienta eléctrica se cargarán también de corriente y el operario puede recibir una descarga.
6. **Cuando corte al hilo, utilice siempre un tope lateral o una guía de de borde recto.** Esto mejora la precisión del corte y reduce la posibilidad de que la hoja se agarrote.
7. **Utilice siempre hojas con la forma (diamante o redondo) y el tamaño correctos de los agujeros del eje del disco.** Las hojas que no coincidan con los elementos de montaje de la sierra funcionarán de forma excéntrica, lo que causará una pérdida de control.
8. **Nunca utilice arandelas o pernos de hoja dañados o incorrectos.** El perno y las arandelas de la hoja se han diseñado específicamente para su hoja, para una seguridad y un rendimiento óptimos.
9. **Causas de contragolpes y prevención por parte del operario:**

- un contragolpe es una reacción repentina provocada por un disco mal alineado, alabeado o mellado, que hace que una sierra incontrolada se levante y se aleje de la pieza de trabajo hacia el operador;
- Cuando la hoja está mellada o alabeada por la entalladura al cerrarse, la hoja se atasca y la reacción del motor empuja la unidad rápidamente hacia atrás, hacia el operario;
- si la hoja se retuerce o está mal alineada en el corte, los dientes del borde posterior de la hoja pueden clavarse en la superficie posterior de la madera, haciendo que la hoja escale la entalladura y salte hacia el operario.

El contragolpe es el resultado de un mal uso de la hoja o de condiciones o procedimientos de uso incorrectos y se puede evitar tomando las precauciones que se indican a continuación.

- **Sujete la sierra firmemente con las dos manos y coloque sus brazos de forma que ofrezcan resistencia a las fuerzas de contragolpe. Coloque su cuerpo a ambos lados de la hoja, pero no en línea con ella.** El contragolpe puede provocar que la sierra salte hacia atrás; no obstante, el operador puede controlar la fuerza del contragolpe si toma las precauciones adecuadas. Ilustración típica de la correcta colocación de las manos y del correcto soporte de la pieza de trabajo.
- **Cuando la hoja se agarrote o cuando se interrumpa el corte por cualquier motivo, suelte el disparador y mantenga la sierra quieta sobre el material hasta que la hoja se detenga por completo. Nunca intente retirar la sierra de la pieza de trabajo ni tire de la sierra hacia atrás mientras la sierra esté en movimiento ya que se podría producir un contragolpe.** Investigue y tome las acciones correctoras para eliminar la causa del agarrotamiento de la hoja.

- **Cuando vuelva a poner en marcha la sierra sobre la pieza de trabajo, centre la sierra en la entalladura y compruebe que sus dientes no estén en contacto con el material.** Si la hoja de la sierra se agarrota, puede escalar la pieza de trabajo cuando se vuelve a poner en marcha.
- **Sujete los paneles grandes para minimizar el riesgo de mellar la hoja y de contragolpe.** Los paneles grandes tienden a hundirse bajo su propio peso. Deben colocarse soportes bajo el panel en ambos lados, cerca de la línea de corte y del borde del panel.

Para minimizar el riesgo de mellar la hoja y de contragolpe. Cuando la operación de corte requiere que la sierra repose sobre la pieza de trabajo, la sierra debe descansar sobre la parte más grande y la parte más corta debe cortarse.

Para evitar los contragolpes, sujete el tablero o el panel cerca del corte. (Fig. 2)

No sujete el tablero o el panel lejos del corte. (Fig. 3)

- **No utilice hojas romas o dañadas.** Las hojas sin afilar o mal montadas hacen que la entalladura sea estrecha, lo que provoca una fricción excesiva, un agarrotamiento de la hoja y el contragolpe. Mantenga la hoja limpia y afilada. La goma y la resina de madera endurecidas sobre las hojas ralentizan la sierra y aumentan el potencial de contragolpe. Para mantener la hoja limpia, retírela de la herramienta, límpiela con un producto para eliminar goma y resina, agua caliente o queroseno. Nunca utilice gasolina.
  - **Las palancas de bloqueo del ajuste de bisel y de profundidad deben estar bien apretadas y seguras antes de realizar el corte.** Si el ajuste de la hoja cambia durante el corte, se puede producir agarrotamiento y contragolpes.
  - **Tenga especial cuidado cuando realice un "corte de inmersión" en paredes u otras áreas ciegas.** La hoja puede cortar objetos que pueden provocar contragolpes. Para cortes de inmersión, retraiga el protector inferior utilizando el mango para retraerlo.
  - **Sujete SIEMPRE la herramienta firmemente con ambas manos. NUNCA coloque la mano o los dedos detrás de la sierra.** Si se produce un contragolpe, la sierra puede saltar fácilmente hacia atrás sobre su mano, lo que provocaría graves lesiones personales.
  - **Nunca fuerce la sierra. Si se fuerza la sierra, los cortes pueden ser desiguales, se puede perder precisión y se pueden producir contragolpes.** Empuje la sierra hacia delante a una velocidad en la que la sierra corte sin reducir su velocidad. (Fig. 4)
10. **Compruebe si el protector inferior está bien cerrado antes de cada uso. No utilice la sierra si el protector inferior no se mueve libremente y se cierra instantáneamente. Nunca sujete ni mantenga el protector inferior en la posición abierta.** Si la sierra cae accidentalmente, la protección inferior se puede doblar. Levante el protector inferior con el mango para retraerlo y asegúrese de que se mueve libremente y que no toca la hoja ni ninguna otra parte, en todos los ángulos y profundidades de corte.
- Para comprobar el protector inferior, ábralo a mano,

suéltelo y compruebe si se cierra. Compruebe también que el mango para retraerlo no toque el alojamiento de la herramienta. Dejar la hoja expuesta es MUY PELIGROSO y puede provocar graves lesiones personales.

11. **Compruebe el funcionamiento del muelle del protector inferior.** Si el protector y el muelle no funcionan correctamente, deben repararse antes de utilizar la herramienta. El protector inferior puede funcionar con lentitud debido a partes dañadas, depósitos de goma o acumulación de suciedad.
12. **El protector inferior debe retrasarse manualmente sólo para cortes especiales como “cortes de inmersión” y “cortes compuestos.”** Levante el protector inferior mediante el mango para retraerlo y cuando la hoja entre en el material, debe soltarse el protector inferior. Para todos los otros cortes con sierra, el protector inferior debe funcionar automáticamente. Para evitar los contragolpes, sujete el tablero o el panel cerca del corte. No sujete el tablero o el panel lejos del corte.
13. **Compruebe siempre que el protector inferior cubra la hoja antes de colocar la sierra sobre un banco o en el suelo.** Una hoja sin proteger, que gire por inercia, puede hacer que la sierra se desplace hacia atrás, cortando lo que esté en su camino. Tenga en cuenta el tiempo que la hoja tarda en detenerse después de liberar el interruptor. Antes de dejar la herramienta tras completar un corte, asegúrese de que el protector inferior se haya cerrado y que la hoja se haya detenido.
14. **Tenga especial cuidado cuando corte madera mojada, madera sometida a presión, o madera que contenga nudos.** Ajuste la velocidad de corte para mantener un avance suave de la herramienta sin reducir la velocidad de la hoja.
15. **Evite cortar clavos.** Compruebe si hay clavos y retírelos antes de realizar el corte.
16. **Coloque la parte más ancha de la base de la sierra sobre la pieza de trabajo que está sujeta solidamente, no sobre la sección que caerá cuando se realice el corte.** Como ejemplos, la figura 5 ilustra la manera CORRECTA de cortar el extremo de un tablón y la figura 6 la manera INCORRECTA. Si la pieza de trabajo es corta o pequeña, fjela. ¡NO INTENTE SUJETAR PIEZAS PEQUEÑAS A MANO!
17. **Nunca intente serrar con la sierra circular boca arriba.** Es extremadamente peligroso y puede provocar graves accidentes. (Fig. 7)
18. **Algunos materiales contienen sustancias químicas que pueden ser tóxicas.** Procure evitar la inhalación de polvo y el contacto con la piel. Siga los datos de seguridad del proveedor del material.
19. **No detenga las hojas mediante presión lateral sobre la hoja de la sierra.**
20. **Utilice siempre hojas recomendadas en este manual.** No utilice discos abrasivos.
21. **Utilice una mascarilla antipolvo y protección para los oídos cuando utilice la herramienta.**

## GUARDE ESTAS INSTRUCCIONES

### ADVERTENCIA:

El MAL USO o la no observancia de las normas de seguridad expuestas en este manual de instrucciones puede ocasionar graves daños corporales.

## INSTRUCCIONES DE SEGURIDAD IMPORTANTES RELACIONADAS CON EL CARTUCHO DE LA BATERÍA

1. Antes de utilizar el cartucho de la batería, lea todas las instrucciones y referencias de precaución que se encuentran en (1) el cargador de baterías, (2) la batería y (3) el producto que utiliza la batería.
2. No desmonte el cartucho de la batería.
3. Si el tiempo de funcionamiento es excesivamente corto, deje de utilizar la herramienta de inmediato. De lo contrario, existe el riesgo de sobrecalentamiento, quemaduras e incluso explosión.
4. Si se produce contacto ocular con electrolito, enjuáguese los ojos con agua limpia y acuda de urgencia al médico. Corre el riesgo de perder la visión.
5. No cortocircuite el cartucho de la batería:
  - (1) No toque los terminales con material conductor.
  - (2) Evite guardar el cartucho de la batería en un recipiente con otros objetos metálicos, como clavos, monedas, etc.
  - (3) No exponga el cartucho de la batería al agua o a la lluvia.Un cortocircuito puede provocar un elevado flujo de corriente, sobrecalentamiento, quemaduras o incluso una avería.
6. No almacene la herramienta ni el cartucho de la batería en lugares donde la temperatura supere los 50 °C (122°F).
7. No queme el cartucho de la batería aunque esté gravemente dañado o completamente gastado. El cartucho de la batería puede explotar si entra en contacto con fuego.
8. Procure que la batería no sufra golpes ni caídas.

## GUARDE ESTAS INSTRUCCIONES

### Consejos para conseguir una mayor duración de la batería

1. Cargue la batería antes de que se descargue por completo. Deje de utilizar siempre la herramienta y cargue el cartucho de la batería cuando observe que tiene menos potencia.
2. No recargue nunca un cartucho de batería completamente cargado. La sobrecarga acorta la vida útil de la batería.
3. Cargue el cartucho de la batería a una temperatura ambiente que oscile entre 10 °C y 40 °C (50°F – 104°F). Antes de cargar un cartucho de batería caliente, deje que se enfríe.



# DESCRIPCIÓN DEL FUNCIONAMIENTO

## PRECAUCIÓN:

- Asegúrese siempre de apagar la herramienta y extraer el cartucho de la batería antes de intentar realizar cualquier tipo de ajuste o comprobación en ella.

## Instalación o extracción del cartucho de la batería (Fig. 8)

- Apague siempre la herramienta antes de insertar o extraer el cartucho de la batería.
- Para extraer el cartucho de la batería, quítelo de la herramienta al mismo tiempo que desliza el botón situado en el lateral del cartucho.
- Para insertar el cartucho de la batería, alinee la lengüeta situada en el cartucho de la batería con la ranura del alojamiento e insértela. Insértela completamente hasta que quede firmemente sujeta y se bloquee con un clic. Si puede ver la parte roja de la zona superior del botón, significa que el cartucho no está completamente bloqueado. Insértelo completamente hasta que la parte roja quede oculta. De lo contrario, el cartucho puede desprenderse accidentalmente de la herramienta y causar lesiones al operario o a alguna persona que se encuentre cerca.
- No haga fuerza al insertar el cartucho de la batería. Si no se inserta suavemente, significa que no lo está instalando correctamente.

## Ajuste de la profundidad de corte (Fig. 9)

### PRECAUCIÓN:

- Después de ajustar la profundidad de corte, apriete siempre la palanca con firmeza.

Afíloje la palanca del lateral del mango posterior y mueva la base hacia arriba o hacia abajo. Cuando haya alcanzado la profundidad de corte deseada, fije la base apretando la palanca.

Para lograr cortes más limpios y seguros, fije la profundidad de corte de forma que no se proyecte más de un diente de la hoja por debajo de la pieza de trabajo. El uso de una profundidad de corte correcta ayuda a reducir la posibilidad de peligrosos CONTRAGOLPES que pueden provocar lesiones personales.

## Corte en bisel (Fig. 10 y 11)

Afíloje la palanca de la placa graduada de bisel de la base frontal. Ajuste el ángulo deseado (0° – 50°) mediante la inclinación que corresponda y apriete la palanca firmemente. Utilice el tope de 45° cuando tenga que realizar cortes en un ángulo de 45°. Gire completamente el tope en el sentido contrario al de las agujas del reloj para corte en bisel (0° - 45°) y en el sentido de las agujas del reloj también para cortes en bisel, pero de 0° - 50°.

## Visor (Fig. 12)

Para cortes rectos, alinee la posición A en la parte delantera de la base con la línea de corte. Para cortes en bisel de 45°, alinee la posición B con la línea de corte.

## Funcionamiento del interruptor (Fig. 13)

### PRECAUCIÓN:

- Antes de insertar el cartucho de la batería en la herramienta, asegúrese siempre de que el interruptor disparador funcione como es debido y que vuelva a la posición "OFF" (apagado) al soltarlo.

- No tire con fuerza del interruptor disparador sin pulsar la palanca de desbloqueo. Se puede romper el interruptor.

Para evitar que el disparador del interruptor se accione accidentalmente se proporciona una palanca de bloqueo. Para poner en marcha la herramienta, empuje la palanca de bloqueo y tire del interruptor disparador. Suelte el interruptor disparador para detener la herramienta.

### ADVERTENCIA:

- Por su seguridad, esta herramienta está equipada con una palanca de bloqueo que impide que la herramienta se ponga en marcha de forma accidental. NUNCA utilice la herramienta si se encuentra en funcionamiento cuando sólo pulsa el disparador sin pulsar la palanca de bloqueo. Devuelva la herramienta a un centro de asistencia técnica de MAKITA ANTES de continuar utilizándola.
- NUNCA fije con cinta adhesiva ni impida el funcionamiento ni la finalidad de la palanca de bloqueo.

## Encendido de la lámpara

### PRECAUCIÓN:

- No mire hacia la luz ni mire directamente hacia la fuente de luz.

Para encender sólo la luz, tire del disparador sin presionar la palanca de bloqueo. Para encender la luz y utilizar la herramienta, pulse el disparador mientras mantiene presionada la palanca de bloqueo.

### NOTA:

- Utilice un paño seco para limpiar la suciedad del cristal de la lámpara. Procure no rayar el cristal de la lámpara, puesto que puede disminuir el grado de iluminación.
- No utilice gasolina, disolvente ni ningún producto similar para limpiar la lente de la lámpara. El uso de tales sustancias dañará la lente.

## MONTAJE

### PRECAUCIÓN:

- Asegúrese siempre de apagar la herramienta y extraer el cartucho de la batería antes de intentar realizar cualquier tipo de operación en la herramienta.

## Extracción o instalación del disco de la sierra

### PRECAUCIÓN:

- Asegúrese de que el disco esté instalado con los dientes apuntando hacia la parte delantera de la herramienta.
- Utilice sólo la llave de Makita para instalar o extraer el disco.

Para extraer el disco, ejerza presión sobre el bloqueo del eje para que el disco no pueda girar y utilice la llave para aflojar el perno hexagonal en el sentido de las agujas del reloj. A continuación, extraiga el perno hexagonal, la brida exterior y el disco. (Fig. 14)

Para instalar el disco, siga el procedimiento de extracción a la inversa. **ASEGÚRESE DE APRETAR FIRMEMENTE EL PERNO HEXAGONAL EN EL SENTIDO CONTRARIO A LAS AGUJAS DEL RELOJ.**

Cuando cambie el disco, asegúrese de limpiar también los protectores superior e inferior del disco de serrín acumulado. No obstante, tales esfuerzos con sustituyen la necesidad de comprobar el funcionamiento del protector inferior antes de cada uso. (Fig. 15)

## Almacenamiento de la llave Allen (Fig. 16)

Cuando no la utilice, guarde la llave de Allen como se muestra en la figura para evitar que se pierda.

## Conexión del aspirador (Fig. 17 y 18)

Si desea realizar una operación de corte limpio, conecte una aspiradora Makita a la herramienta. Coloque la boquilla de polvo en la herramienta con un tornillo. A continuación, conecte la manguera de la aspiradora a la boquilla de polvo, como se muestra en la figura.

## MANEJO (Fig. 19)

### PRECAUCIÓN:

- Inserte siempre el cartucho de la batería hasta que quede completamente sujeto. Si puede ver la parte roja de la zona superior del botón, significa que el cartucho no está completamente bloqueado. Insértelo completamente hasta que la parte roja quede oculta. De lo contrario, el cartucho puede desprenderse accidentalmente de la herramienta y causar lesiones al operario o a alguna persona que se encuentre cerca.
- Asegúrese de desplazar la herramienta suavemente hacia delante en línea recta. Si se fuerza o se retuerce la herramienta se provocará un sobrecalentamiento del motor y un peligroso contragolpe, que puede causar graves lesiones personales.
- Si la herramienta se utiliza continuamente hasta que el cartucho de la batería se descarga, deje reposar la herramienta durante 15 minutos antes de continuar con la batería cargada.

Sujete firmemente la herramienta. La herramienta se suministra con una empuñadura delantera y un mango trasero.

Utilice ambos elementos para sujetar mejor la herramienta. Si ambas manos sujetan la sierra no pueden sufrir cortes de la hoja. Coloque la base sobre la pieza de trabajo que debe cortarse sin que el disco realice ningún contacto. A continuación, encienda la herramienta y espere hasta que el disco alcance la velocidad máxima. Ahora sólo tiene que empujar la herramienta hacia delante sobre la superficie de la pieza de trabajo, manteniéndola plana y avanzando suavemente hasta que el proceso de serrado se haya completado.

Para obtener cortes limpios, mantenga la línea de serrado recta y la velocidad de avance uniforme. Si el corte no sigue correctamente la línea de corte prevista, no intente girar la herramienta ni la fuerce para volver a la línea de corte. El disco puede trabarse y provocar peligrosos contragolpes y posibles lesiones graves. Suelte el interruptor, espere a que el disco se pare y retire la herramienta. Vuelva a alinear la herramienta sobre la línea de corte y reinicie el corte. Intente no colocarse en una postura que exponga al operador a astillas y serrín que se expulsan desde la sierra. Utilice protección ocular para evitar lesiones.

## Tope lateral (regla de guía) (Fig. 20)

El útil tope lateral permite realizar cortes rectos de gran precisión. Sólo tiene que deslizar el tope lateral cómodamente hasta el lateral de la pieza de trabajo y fijarlo en posición con el tornillo de la parte delantera de la base. También hace que los cortes repetidos sean del ancho más uniforme posible.

## MANTENIMIENTO

### PRECAUCIÓN:

- Asegúrese de apagar siempre la herramienta y extraer el cartucho de la batería antes de intentar realizar cualquier trabajo de inspección o mantenimiento en ella.

## Ajuste de la precisión de corte de 90° y 45° (corte de 45° y vertical) (Fig. 21 y 22)

Este ajuste se ha realizado en fábrica. No obstante, está desactivado. Ajuste la posición de los tornillos de la hoja mientras realiza una inspección a 90° o 45° respecto a la base, mediante una escuadra o una regla, etc.

## Sustitución de las escobillas de carbón

Extraiga y compruebe las escobillas de carbón regularmente. Reemplácelas cuando se gasten hasta la marca de límite. Mantenga las escobillas de carbón limpias y de forma que entren libremente en los portaescobillas. Ambas escobillas de carbón deberán ser reemplazadas al mismo tiempo. Utilice únicamente escobillas de carbón idénticas. (Fig. 23)

Utilice un destornillador para extraer las tapas de los portaescobillas. Saque las escobillas de carbón desgastadas, inserte las nuevas y cierre las tapas de los portaescobillas. (Fig. 24)

Para conservar la SEGURIDAD y la FIABILIDAD del producto, los trabajos de reparación y otros trabajos de mantenimiento y ajuste deberán ser realizados en centros de servicio autorizados de Makita, utilizando siempre repuestos Makita.

## ACCESORIOS

### PRECAUCIÓN:

- Se recomienda el uso de estos accesorios o complementos con la herramienta Makita especificada en este manual. El uso de otros accesorios o complementos puede conllevar el riesgo de ocasionar daños corporales. Utilice los accesorios o complementos solamente para su fin establecido.

Si necesita cualquier ayuda para obtener más información relativa a estos accesorios, pregunte al centro de servicio Makita local.

- Hojas de sierra
- Tope lateral (regla de guía)
- Llave Allen 5
- Diversos tipos de baterías y cargadores originales de Makita
- Boquilla de polvo

# PORTUGUÊS

## Descrição geral

- |                         |                            |  |
|-------------------------|----------------------------|--|
| 1. Peça vermelha        | 11. Chave sextavada        | 21. Pega dianteira                             |
| 2. Botão                | 12. Flange interior        | 22. Parafuso de fixação                        |
| 3. Bateria              | 13. Lâmina da serra        | 23. Vedação para escarificação (guia paralela) |
| 4. Alavanca             | 14. Flange exterior        | 24. Parafuso de regulação para 45°             |
| 5. Batente              | 15. Parafuso sextavado     | 25. Parafuso de regulação para 90°             |
| 6. Base                 | 16. Bico de pó (acessório) | 26. Guia triangular                            |
| 7. Linha de corte       | 17. Parafuso               | 27. Marca limite                               |
| 8. Gatilho              | 18. Tubo flexível          | 28. Tampa do porta-escovas                     |
| 9. Alavanca de bloqueio | 19. Aspirador              | 29. Chave de parafusos                         |
| 10. Bloqueio do veio    | 20. Alavanca posterior     |  |

## ESPECIFICAÇÕES

Modelo	BSS610	
Diâmetro da lâmina	165 mm	
Profundidade máxima de corte	a 90°	57 mm
	a 45°	40 mm
	a 50°	36 mm
Sem velocidade de rotação em carga (mín. <sup>-1</sup> )	3.700	
Comprimento total	347 mm	
Peso líquido	3,2 kg	
Voltagem nominal	D.C. 18V	

- Devido à pesquisa e desenvolvimento constantes, estas especificações estão sujeitas a alteração sem aviso prévio.
- Nota: estas especificações podem diferir de país para país.

### Utilização prevista

Esta ferramenta destina-se a efectuar cortes rectos ao comprido e laterais e cortes angulares em madeira, mantendo um contacto firme com a peça de trabalho.

## REGRAS DE SEGURANÇA ESPECÍFICAS

**NÃO deixe que o progressivo à-vontade com o produto (resultante de uma utilização frequente) o faça esquecer o estrito cumprimento das regras de segurança da serra circular. Se utilizar a ferramenta incorrectamente ou não respeitar as regras de segurança, poderá ferir-se gravemente.**

### PERIGO:

- 1. Mantenha as mãos afastadas da área de corte e a lâmina. Mantenha a outra mão na pega auxiliar ou caixa do motor.** Se ambas as mãos estiverem a segurar a serra, não podem ser cortadas pela lâmina.
- 2. Não coloque as mãos por baixo da peça de trabalho.** A protecção não o pode proteger da lâmina debaixo da peça de trabalho. Não tente remover material cortado quando a lâmina se estiver a mover. **PRECAUÇÃO:** As lâminas continuam a funcionar após a desligação. Aguarde até que as lâminas parem antes de retirar material cortado.
- 3. Ajuste a profundidade de corte para a espessura da peça de trabalho.** Deve ser visível menos do que um dente completo dos dentes da lâmina abaixo da peça de trabalho.
- 4. Nunca coloque a peça que está a ser cortada nas mãos ou cima das pernas. Fixe a peça de trabalho a uma plataforma estável.** É importante suportar correctamente a peça de trabalho para minimizar a exposição do corpo, dobragem da lâmina ou perda de controlo.

Uma ilustração típica do suporte adequado para as mãos e peça de trabalho. (Fig. 1)

5. **Quando executar operações em que acessórios de corte possam entrar em contacto com fios eléctricos ocultos ou com próprio cabo eléctrico da ferramenta, tenha o cuidado de tocar apenas nas superfícies isoladas desses acessórios.** O contacto com um fio eléctrico ligado à corrente pode electrificar as peças de metal da ferramenta e causar um choque.
6. **Quando escarificar, utilize sempre uma vedação para escarificação ou guia de margem direita.** Isto melhora a precisão do corte e reduz as possibilidades de dobragem da lâmina.
7. **Utilize sempre lâminas com o tamanho e forma correctos (diamante em vez de redondo) dos orifícios de alojamento.** As lâminas que não correspondam ao hardware de instalação da serra funcionarão de forma excêntrica, provocando uma perda de controlo.
8. **Nunca utilize anilhas ou parafusos de lâmina danificados ou incorrectos.** As anilhas e parafusos da lâmina foram concebidos especificamente para a sua serra, para uma utilização ideal e segurança de funcionamento.
9. **Causas e prevenção do recuo por parte do operador:**

- o recuo é uma reacção súbita a uma lâmina de serra atarracada, empenada ou não alinhada, fazendo com que uma serra não controlada se levante para fora da peça de trabalho, na direcção do operador;
- Quando a lâmina está atarracada ou bastante presa pelo corte a fechar, a lâmina pára e a reacção do motor atira a rapidamente a unidade na direcção do operador;
- se a lâmina fica torta ou não alinhada no corte, os dentes na parte posterior da lâmina podem enterrar-se na superfície superior da madeira, fazendo com a lâmina suba para fora do corte e salte na direcção do operador.

O recuo é o resultado da má utilização da serra e/ou procedimentos de funcionamento incorrectos e pode ser evitado tomando as devidas precauções, tal como indicado em baixo.

- **Agarre bem a serra com ambas as mãos e posicione os braços para resistir às forças de recuo. Posicione o seu corpo para um dos lados da lâmina, mas não alinhado com a lâmina.** O recuo pode fazer com que a lâmina salte para trás, mas as forças de recuo podem ser controladas pelo operador, se forem tomadas as devidas precauções. Uma ilustração típica do suporte adequado para as mãos e peça de trabalho.
- **Quando a lâmina estiver a dobrar ou quando interromper um corte por qualquer razão, solte o gatilho e segure na serra sem a mexer no material, até que a lâmina pare completamente. Nunca tente remover a serra da peça de trabalho ou puxar a serra para trás enquanto a lâmina se estiver a mover, caso contrário, poderá ocorrer um recuo.** Investigue e tome acções correctivas para eliminar a causa do empeno da lâmina.

- **Quando reiniciar uma serra na peça de trabalho, centre a lâmina da serra no corte e verifique se os dentes da serra não estão presos ao material.** Se a lâmina da serra estiver a dobrar, poderá levantar ou recuar da peça de trabalho, quando a serra é reiniciada.
- **Dê suporte aos painéis de grandes dimensões, para minimizar o risco de atracar a lâmina e de recuo.** Os painéis de grandes dimensões tendem a abater sob o seu próprio peso. Os suportes devem ser colocados debaixo do painel em ambos os lados, perto da linha de corte e perto da margem da extremidade do painel.

Para minimizar o risco da lâmina atracar e de recuo. Quando a operação de corte requerer o apoio da serra na peça de trabalho, a serra deve ser apoiada na parte maior e cortar a parte mais pequena.

Para evitar recuo, dê suporte à prancha ou painel perto do corte. (Fig. 2)

Não suporte a prancha ou painel longe do corte. (Fig. 3)

- **Não utilize lâminas rombas ou danificadas.** As lâminas rombas ou incorrectamente configuradas produzem um corte estreito, causando fricção excessiva, atarracamento da lâmina e recuo. Mantenha a lâmina afiada e limpa. A goma e nós da madeira duros nas lâminas abrandam a serra e aumentam o potencial de recuo. Mantenha a lâmina limpa removendo-a da ferramenta e limpando-a com removedor de goma e cruda, água quente ou querosene. Nunca utilize gasolina.
- **As alavancas de regulação da profundidade da lâmina e bisel devem estar apertadas e fixas antes de cortar.** Se a regulação da lâmina mudar durante o corte, pode provocar a dobragem da lâmina e recuo.
- **Utilize um cuidado adicional quando fizer um "corte a fundo" em paredes existentes ou outras zonas cegas.** A lâmina saliente pode cortar objectos que provoquem recuo. Para cortes a fundo, recolha a protecção inferior utilizando a alavanca de recolha.
- **Segure SEMPRE a ferramenta com firmeza, com as duas mãos. NUNCA coloque a mão ou dedos atrás da serra.** Se ocorrer recuo, a serra pode facilmente saltar para trás para cima da mão, provocando ferimentos graves.
- **Nunca force a serra. Forçar a serra pode causar cortes irregulares, perda de precisão e possível recuo.** Empurre a serra para a frente devagar, de forma a que a lâmina corte sem abrandar. (Fig. 4)

10. **Verifique se a protecção inferior fecha correctamente antes de cada utilização. Não accione a serra se a protecção inferior não se mover livremente e não se fechar imediatamente. Nunca prenda ou amarre a protecção inferior na posição aberta.** Se a serra cair acidentalmente, a protecção inferior pode estar dobrada. Levante a protecção inferior com a alavanca de recolha e certifique-se de que se move livremente e não toca na lâmina ou qualquer outra parte, em todos os ângulos e profundidades de corte. Para verificar a protecção inferior, abra-a à mão e solte, verificando se fecha correctamente. Verifique igualmente se a alavanca de recolha não toque na caixa da ferramenta. Deixar a lâmina exposta é

MUITO PERIGOSO e pode levar a ferimentos pessoais graves.

11. **Verifique o funcionamento da mola da protecção inferior. Se a protecção e a mola não estiverem a funcionar correctamente, deve ser efectuada uma operação de manutenção antes de utilizar.** A protecção inferior pode funcionar de forma lenta devido a peças danificadas, depósitos aderentes ou acumulação de resíduos.
12. **A protecção inferior deve ser recolhida manualmente, apenas para cortes especiais tais como "cortes a fundo" e "cortes compostos". Levante a protecção inferior utilizando a alavanca de recolha logo que a lâmina entre no material, a protecção inferior deve ser libertada.** Para todas as outras operações de serragem, a protecção inferior deve funcionar automaticamente. Para evitar recuo, dê suporte à prancha ou painel perto do corte. Não suporte a prancha ou painel longe do corte.
13. **Verifique sempre se a protecção inferior está a cobrir a lâmina antes de apoiar a lâmina num banco ou chão.** Uma lâmina desprotegida e a abrandar fará com que a serra avance para trás, cortando tudo o que estiver no seu caminho. Tenha em conta o tempo que a lâmina demora a parar após o interruptor ser libertado. Antes de pousar a ferramenta após concluir um corte, certifique-se de que a protecção inferior está fechada e se a lâmina parou completamente.
14. **Tenha muito cuidado quando cortar madeira húmida, madeira com tratamento de pressão ou madeira com nós.** Regule a velocidade do corte para manter um avanço suave da ferramenta sem diminuir a velocidade da lâmina.
15. **Evite cortar pregos. Verifique e remova quaisquer pregos da madeira antes de cortar.**
16. **Coloque a parte mais larga da base da serra nessa parte da peça de trabalho que está bem apoiada e não na secção que cairá quando o corte for efectuado.** Como exemplos, a Fig. 5 ilustra a foram CORRECTA de cortar a extremidade de uma prancha e a Fig. 6 a forma INCORRECTA. Se a peça de trabalho for curta ou pequena, fixe-a. **NÃO TENTE SEGURAR AS PEÇAS CURTAS COM A MÃO!**
17. **Nunca tente serrar com a serra circular virada ao contrário num torno.** Isto é extremamente perigoso e pode levar a acidentes graves. (Fig. 7)
18. **Alguns materiais contêm químicos que podem ser tóxicos. Tenha cuidado para evitar a inalação e o contacto da pele com o pó produzido. Obedeça às instruções de segurança do fornecedor do material.**
19. **Não pare as lâminas utilizando pressão lateral na lâmina da serra.**
20. **Utilize sempre as lâminas recomendadas neste manual. Não utilize quaisquer rodas abrasivas.**
21. **Use uma máscara contra o pó e protecção para os ouvidos quando utilizar a ferramenta.**

## GUARDE ESTAS INSTRUÇÕES

### AVISO:

A UTILIZAÇÃO INCORRECTA ou o não cumprimento das regras de segurança fornecidas neste manual de instruções podem provocar ferimentos graves.

## INSTRUÇÕES IMPORTANTES DE SEGURANÇA PARA A BATERIA

1. Antes de utilizar a bateria leia as instruções e chamadas de atenção de: (1) o carregador da bateria, (2) a bateria e, (3) o produto que utiliza a bateria.
2. Não desmonte a bateria.
3. Se o tempo de utilização com bateria se tornar demasiado curto, deve parar imediatamente. Se continuar, pode causar sobreaquecimento, fogo e mesmo explosão.
4. Se o electrólito entrar em contacto com os olhos, enxagúe-os com água limpa e consulte imediatamente um médico. Os riscos incluem perda de visão.
5. Não provoque um curto-circuito na bateria:
  - (1) Não deixe que quaisquer materiais condutores entrem em contacto com os terminais da bateria.
  - (2) Evite guardar a bateria juntamente com outros objectos de metal como moedas, por exemplo.
  - (3) Não exponha a bateria a água ou chuva.Um curto-circuito na bateria pode criar uma grande carga eléctrica, sobreaquecimento, fogo e uma quebra da corrente.
6. Não guarde a ferramenta e a bateria em locais onde a temperatura possa atingir ou exceder 50°C (122°F).
7. Não incinere a bateria, nem mesmo que esta se tenha avariado irremediavelmente ou se tenha gasto completamente com o uso. Pode explodir e causar fogo.
8. Não a deixe cair e evite o choque com outros objectos.

## GUARDE ESTAS INSTRUÇÕES

### Dicas para o máximo de tempo de vida da bateria

1. Não espere que a bateria se gaste completamente para voltar a carregá-la. Pare a ferramenta e carregue a bateria sempre que detectar um baixo nível de energia.
2. Nunca volte a carregar uma bateria já completamente carregada. O carregamento excessivo diminui o tempo de vida das baterias.
3. Carregue a bateria em compartimentos onde a temperatura for de 10°C – 40°C (50°F – 104°F). Se a bateria estiver quente, deixe-a arrefecer antes de iniciar o carregamento.

# DESCRIÇÃO DO FUNCIONAMENTO

## PRECAUÇÃO:

- Certifique-se sempre de que a ferramenta está desligada e a bateria foi removida antes de proceder a ajustamentos ou testar acessórios.

## Inserir ou retirar a bateria (Fig. 8)

- Sempre que for inserir ou remover a bateria, desligue a ferramenta.
- Para remover a bateria, puxe-a para fora ao mesmo tempo que desliza o botão de segurança no lado do cartucho.
- Para inserir a bateria alinhe-a com a calha recolhida e encaixe-a suavemente. Insira-a completamente até sentir um clique de encaixe. Se ainda estiver visível a peça vermelha na parte superior do botão, não estará bem encaixada. Insira-a completamente, até deixar de ver a peça vermelha. Caso contrário, pode cair da ferramenta e causar ferimentos em si, ou em alguém que esteja perto de si.
- Não exerça força ao inserir a bateria. Se não encaixar facilmente é porque não está correctamente posicionada.

## Regular a profundidade de corte (Fig. 9)

### PRECAUÇÃO:

- Após regular a profundidade de corte, aperte sempre bem a alavanca.

Desaperte a alavanca na parte lateral da alavanca posterior e mova a base para cima ou para baixo. Na profundidade de corte pretendida, fixe a base apertando a alavanca.

Para cortes mais limpos e seguros, defina a profundidade de corte de forma a que não mais de um dente de uma lâmina seja projectado abaixo da peça de trabalho. Utilizar uma profundidade de corte correcta reduz o potencial para RECUOS perigosos que podem causar ferimentos pessoais.

## Corte em bisel (Fig. 10 e 11)

Desaperte a alavanca na chapa de escala de bisel na base dianteira. Defina para o ângulo pretendido ( $0^\circ - 50^\circ$ ) inclinando de forma correcta e aperte bem a alavanca. Utilize o batente  $45^\circ$  quando efectuar um corte em ângulo preciso de  $45^\circ$ . Rode o batente completamente no sentido contrário aos ponteiros do relógio para corte em bisel de  $0^\circ - 45^\circ$  e no sentido dos ponteiros do relógio para cortes em bisel de  $0^\circ - 50^\circ$ .

## Alinhamento (Fig. 12)

Para cortes a direito, alinhe a posição A na frente da base com a linha de corte. Para cortes de bisel de  $45^\circ$ , alinhe-a com a posição B.

## O gatilho/interruptor (Fig. 13)

### PRECAUÇÃO:

- Antes de inserir a pilha na ferramenta, verifique se o gatilho está a funcionar correctamente e se volta à posição "OFF" quando o solta.
- Não puxe com força o gatilho sem pressionar a alavanca de bloqueio. Isto poderá quebrar o interruptor.

Para evitar que o gatilho seja acidentalmente puxado, é fornecida uma alavanca de bloqueio. Para iniciar a ferramenta, pressione a alavanca de bloqueio e puxe o gatilho. Para parar a ferramenta, solte o gatilho.

### AVISO:

- Para a sua segurança, esta ferramenta está equipada com uma alavanca de bloqueio, o que evita que a ferramenta se ligue acidentalmente. NUNCA utilize a ferramenta se esta funcionar quando premir o gatilho sem ter de pressionar a alavanca de bloqueio. Devolva a ferramenta a um centro de serviço MAKITA para que seja correctamente reparada ANTES de utilizar.
- NUNCA coloque fita-cola ou desactive o objectivo e função da alavanca de bloqueio.

## Acender a lâmpada

### PRECAUÇÃO:

- Não olhe directamente para a luz da ferramenta.

Para apenas acender a luz, puxe o gatilho sem pressionar a alavanca de bloqueio. Para acender a luz e utilizar a ferramenta, prima a alavanca de bloqueio e puxe o gatilho com a alavanca de bloqueio a ser premida.

### NOTA:

- Para limpar a lâmpada, utilize um tecido seco. Tenha cuidado para não riscar a lente da lâmpada, pois poderia diminuir a intensidade da iluminação.
- Não utilize gasolina, diluente ou semelhantes para limpar a lente de uma lâmpada. Utilizar tais substâncias danificará a lente.

## MONTAGEM

### PRECAUÇÃO:

- Certifique-se sempre de que a ferramenta está desligada e a bateria removida, antes de efectuar qualquer operação com acessórios.

## Remover ou instalar a lâmina da serra

### PRECAUÇÃO:

- Certifique-se de que a lâmina está instalada com os dentes a apontar para a frente da ferramenta.
- Utilize apenas uma chave Makita para instalar ou remover a lâmina.

Para remover a lâmina, prima o bloqueio do veio de forma a que a lâmina não possa voltar-se e utilize a chave para desapertar o parafuso sextavado no sentido dos ponteiros do relógio. De seguida, remova o parafuso sextavado, flange exterior e lâmina. (Fig. 14)

Para instalar a lâmina, siga o procedimento inverso de remoção. CERTIFIQUE-SE DE QUE APERTA BEM O PARAFUSO SEXTAVADO NO SENTIDO CONTRÁRIO AO DOS PONTEIROS DO RELÓGIO.

Quando mudar a lâmina, certifique-se de que limpa igualmente o serrim acumulado das protecções superiores e inferiores da lâmina. No entanto, tais esforços não substituem a necessidade de verificar o funcionamento da protecção inferior antes de cada utilização. (Fig. 15)

## Armazenamento da chave sextavada (Fig. 16)

Quando não estiver a ser utilizada, guarde a chave sextavada tal como indicado na ilustração, para evitar que se perca.

## Ligar a um aspirador (Fig. 17 e 18)

Quando pretender efectuar uma operação de corte limpo, ligue um aspirador Makita à sua ferramenta. Instale o bico de pó na ferramenta utilizando os parafusos. De seguida, ligue um tubo flexível do aspirador ao bico de pó, tal como indicado na ilustração.

## FUNCIONAMENTO (Fig. 19)

### PRECAUÇÃO:

- Introduza sempre o cartucho da bateria até ao fundo, até que encaixe. Se ainda estiver visível a peça vermelha na parte superior do botão, não estará bem encaixada. Insira-a completamente, até deixar de ver a peça vermelha. Caso contrário, pode cair da ferramenta e causar ferimentos em si, ou em alguém que esteja perto de si.
- Certifique-se de que move suavemente a ferramenta para a frente numa linha recta. Forçar ou torcer a ferramenta resultará num sobreaquecimento do motor e recuos perigosos, causando possivelmente ferimentos graves.
- Se mantiver a ferramenta a funcionar ininterruptamente até a bateria se gastar completamente, deixe-a em repouso durante 15 minutos antes de substituir a bateria.

Segure bem na ferramenta. A ferramenta é fornecida com um apoio dianteiro e pega traseira.

Utilize ambos para agarrar bem a ferramenta. Se ambas as mãos estiverem a segurar a serra, não podem ser cortadas pela lâmina. Defina a base na peça de trabalho a cortar, sem que a lâmina faça qualquer contacto. De seguida, ligue a ferramenta e aguarde até que a lâmina atinja a velocidade máxima. Agora, basta mover a ferramenta para a frente na superfície da peça de trabalho, mantendo-a nivelada e avançando suavemente até que termine de serrar.

Para obter cortes limpos, mantenha a linha de serra a direito e a velocidade de avanço uniforme. Se o corte não seguir de forma adequada a linha de corte pretendida, não tente rodar ou forçar a ferramenta novamente para a linha de corte. Ao fazê-lo poderá dobrar a lâmina e levar a recuos perigosos e possíveis ferimentos graves. Solte o interruptor, aguarde que a lâmina pare e retire a ferramenta. Realinhe a ferramenta numa nova linha de corte e comece outra vez a cortar. Tente evitar um posicionamento que exponha o operador a farpas e serrim que são ejectados da serra. Use protecção para os olhos para ajudar a evitar ferimentos.

## Vedação para escarificação (guia paralela) (Fig. 20)

A vedação para escarificação permite que faça cortes a direito bastante precisos. Basta deslizar a vedação para escarificação ao longo da peça de trabalho e fixe-a com o parafuso na frente da base. Possibilita igualmente que faça cortes repetidos com larguras uniformes.

## MANUTENÇÃO

### PRECAUÇÃO:

- Certifique-se sempre de que a ferramenta está desligada e a bateria removida antes de efectuar operações de inspecção ou de manutenção.

## Regular para precisão de cortes a 90° e 45° (corte vertical e de 45°) (Fig. 21 e 22)

Esta regulação foi feita na fábrica. Mas se estiver incorrecta, ajuste os parafusos de regulação com uma chave sextavada enquanto inspeciona 90° ou 45° da lâmina com a base, utilizando uma régua triangular ou régua quadrada, etc.

## Substituição de escovas de carvão

Remova e verifique regularmente as escovas de carvão. Substitua-as quando o desgaste chegar à marca limite. Mantenha-as limpas e soltas para poderem deslizar nos suportes. Substitua as duas ao mesmo tempo. As escovas de um mesmo par utilizado devem ser idênticas. (Fig. 23)

Utilize uma chave de parafusos para remover as tampas do porta-escovas. Retire as escovas usadas, coloque umas novas e volte e fixe as tampas dos porta-escovas. (Fig. 24)

Para manter os níveis de SEGURANÇA e FIABILIDADE definidos para este produto, reparações, operações de manutenção ou ajustes devem ser executados por centros de assistência Makita autorizados e, no caso de substituição de peças, estas devem ser igualmente Makita.

## ACESSÓRIOS

### PRECAUÇÃO:

- Os seguintes acessórios ou extensões são os recomendados para utilizar com a ferramenta Makita especificada neste manual. A utilização de outros acessórios ou extensões podem provocar ferimentos. Utilize cada acessório ou extensão apenas para o fim indicado.

Se precisar de informações adicionais relativas aos acessórios, contacte o centro local de assistência Makita.

- Lâminas da serra
- Vedação para escarificação (guia paralela)
- Chave sextavada 5
- Vários tipos de baterias e carregadores Makita genuínos.
- Bico de pó

## DANSK

### Forklaring til generel oversigt

- |                 |                         |                                |
|-----------------|-------------------------|--------------------------------|
| 1. Rød del      | 11. Umbracconøgle       | 21. Forreste greb              |
| 2. Knap         | 12. Indvendig flange    | 22. Tilspændingsskrue          |
| 3. Batteripakke | 13. Savklinge           | 23. Parallelanslag (styrepind) |
| 4. Arm          | 14. Udvendig flange     | 24. Justeringskrue til 45°     |
| 5. Stopper      | 15. Sekskantmøtrik      | 25. Justeringskrue til 90°     |
| 6. Basis        | 16. Støvdyse (tilbehør) | 26. Trekantlineal              |
| 7. Skærelinje   | 17. Skrue               | 27. Slidgrænse                 |
| 8. Kontaktgreb  | 18. Slange              | 28. Kulholderdæksel            |
| 9. Låsehåndtag  | 19. Støvsuger           | 29. Skruetrækker               |
| 10. Skaftlås    | 20. Bageste håndtag     |                                |

## SPECIFIKATIONER

Model	BSS610	
Klangediameter	165 mm	
Maks. skæredybde	ved 90°	57 mm
	ved 45°	40 mm
	ved 50°	36 mm
Hastighed uden belastning (min <sup>-1</sup> )	3.700	
Længde i alt	347 mm	
Nettovægt	3,2 kg	
Nominal spænding	18 V DC	

- På grund af vores løbende forsknings- og udviklingsprogram kan specifikationerne heri ændres uden forudgående varsel.
- Bemærk: Specifikationerne kan variere fra land til land.

### Beregnet brug

Værktøjet er beregnet til lige snit og vinklede geringssnit på langs og på tværs i træ ved fast kontakt med arbejdsemnet.

## SPECIFIKKE SIKKERHEDSREGLER

**LAD IKKE tryghed eller kendskab til produktet (fra gentagen brug) betyde, at De ikke strengt overholder sikkerhedsreglerne for rundsaven. Hvis værktøjet anvendes på usikker eller forkert vis, kan De komme alvorligt til skade.**

### FARE:

- 1. Hold hænderne på afstand af skæreamrådet og klingen. Hold den anden hånd på det ekstra håndtag eller på motorhuset.** Hvis begge hænder holder på saven, kan de ikke blive skåret af klingen.
- 2. Ræk ikke ind under arbejdsemnet.** Klingebeskytteren kan ikke beskytte Dem mod klingen under arbejdsemnet. Undgå at fjerne afskåret materiale, så længe klingen bevæger sig. **FORSIGTIG:** Klingerne bevæger sig et stykke tid efter, at der slukkes. Vent, til klingen er stoppet, før De tager fat i det afskårne materiale.
- 3. Juster skæredybden efter arbejdsemnets tykkelse.** Der skal være mindre end en hel tand af klingetænderne synlig under arbejdsemnet.
- 4. Hold ikke det arbejdsemne, der skæres i, i hænderne eller hen over benet. Fastgør arbejdsemnet til en stabil platform.** Det er vigtigt at støtte arbejdsemnet korrekt for at minimere risiko for udsættelse af kroppen, binding af klingen eller tab af kontrol.



En typisk illustration af korrekt håndstøtte og støtte af arbejdsemnet. (Fig. 1)

5. **Hold maskiner i de isolerede gribeblader, når De udfører arbejde, hvor skæreværktøjet kan komme i kontakt med skjulte ledninger eller værktøjets egen ledning.** Ved kontakt med strømførende ledninger bliver udsatte metaldele på maskinen også strømførende, hvorved brugeren kan få elektrisk stød.
6. **Ved flæksavning skal der altid benyttes et parallelanslag eller en lige kantstøtte.** Derved bliver snittet mere nøjagtigt, og risikoen for, at klingens binder, reduceres.
7. **Brug altid klinger med den korrekte korrekte størrelse og form (kantede eller runde) af akselhuller.** Klinge, der ikke modsvarer savens monteringsdele, roterer skævt, og De kan miste kontrollen.
8. **Brug aldrig beskadigede eller forkerte spændeskiver eller bolte til klingens.** Spændeskiverne og boltene til klingens er specielt udviklet til saven med henblik på optimal ydelse og driftssikkerhed.
9. **Årsager til tilbageslag og forebyggelse af dette:**

- Tilbageslag er en pludselig reaktion på en fastklemt, låst eller forkert justeret savklinge, som kan medføre, at en ukontrolleret sav løftes opad og ud af arbejdsemnet i retning mod operatøren.
- Når klingens kommer i klemme eller sidder fast, fordi savsnittet lukkes sammen, stopper klingens, og motorreaktionen støder apparatet hurtigt tilbage mod operatøren.
- Hvis klingens bliver vredet eller sidder skævt i snittet, kan tænderne bag på klingens skære sig ned i træets øverste overflade, så klingens løftes ud af savsnittet og springer tilbage mod operatøren.

Tilbageslag skyldes forkert brug af saven og/eller forkerte betjeningsprocedurer eller betingelser og kan undgås ved at træffe de nødvendige forsigtighedsregler som beskrevet nedenfor.

- **Hold godt fast i saven med begge hænder, og placer armene, så de kan modstå tilbageslag. Placer kroppen på siden af klingens, ikke på linje med klingens.** Tilbageslag kan få saven til at springe tilbage, men tilbageslagskræfterne kan kontrolleres af operatøren, hvis de korrekte forholdsregler tages. En typisk illustration af korrekt håndstøtte og støtte af arbejdsemnet.
- **Når klingens binder, eller når et snit afbrydes af andre årsager, skal De slippe kontaktpunktet og holde saven stille, indtil klingens står helt stille. Forsøg aldrig at tage saven ud af arbejdsemnet eller at trække saven baglæns, mens klingens bevæger sig, da dette kan medføre tilbageslag.** Se efter og tag modforholdsregler imod årsager til, at klingens binder.
- **Når saven startes igen i arbejdsemnet, skal De centrere savklingens i savsnittet og sikre Dem, at savtænderne ikke sidder fast i emnet.** Hvis savklingens binder, kan den bevæge sig opad eller slå tilbage fra arbejdsemnet, når saven startes igen.

- **Understøt store paneler for at reducere risikoen for, at klingens klemmes fast og forårsager tilbageslag.** Store paneler har tendens til at bøjes under deres egen vægt. Der skal placeres støtter under panelet i begge sider, i nærheden af skæringslinjen og nær panelets kantar.

Sådan reduceres risikoen for, at klingens kommer i klemme og forårsager tilbageslag. Når skæring kræver, at saven hviler mod arbejdsemnet, skal saven hvile mod den største del, mens den mindste del skæres væk.

Understøt brættet eller panelet i nærheden af skæret for at undgå tilbageslag. (Fig. 2).

Understøt ikke brættet eller panelet langt fra skæret. (Fig. 3).

- **Undgå at bruge uskarpe eller beskadigede klinger.** Uskarpe eller forkert monterede klinger giver smalle savsnit, der forårsager ekstra friktion, fastklemning af klingens og tilbageslag. Hold klingens skarp og ren. Gummi og tjære, der hærdes mod klingens, gør saven langsommere og forøger risikoen for tilbageslag. Hold klingens ren ved først at fjerne den fra værktøjet og derefter rense den med gummi- og tjærefjernere, varmt vand eller petroleum. Brug ikke benzin.
- **Låsehåndtagene til klingedybde og skråsnitsvinkel skal sidde stramt og sikkert, før du starter.** Hvis klingens flytter sig under skæringens, kan klingens binde og forårsage tilbageslag.
- **Vær ekstra forsigtig, når De foretager et "indstikssnit" i eksisterende vægge eller andre områder, De ikke kan se.** Den udstikende klinge kan skære i genstande, som kan forårsage tilbageslag. Ved indstikssnit skal De trække den nederste klingebeskytter tilbage ved hjælp af tilbagetrækningshåndtaget.
- **Hold ALTID godt fast i værktøjet med begge hænder. Anbring ALDRIG hånden eller fingrene bag ved saven.** Hvis der opstår tilbageslag, kan saven nemt springe bagud hen over hånden, hvilket kan forårsage alvorlig personskade.
- **Brug aldrig magt på saven. Brug af magt kan medføre ujævne skæringer, tab af præcision og risiko for tilbageslag.** Skub saven fremad ved en hastighed, hvor klingens skærer uden at køre langsommere. (Fig. 4).

10. **Kontroller, at den nederste klingebeskytter er lukket, hver gang saven skal bruges. Anvend ikke saven, hvis den nederste klingebeskytter ikke bevæger sig frit og lukkes med det samme.** Fastlås eller bind aldrig den nederste klingebeskytter i den åbne stilling. Hvis De taber saven, kan den nederste klingebeskytter blive bøjet. Løft den nederste klingebeskytter med tilbagetrækningshåndtaget, og sørg for, at den bevæger sig frit og ikke berører klingens eller andre dele, uanset skæringsvinkel og -dybde. For at kontrollere den nederste klingebeskytter skal De åbne klingebeskytteren manuelt og derefter frigive beskytteren og kontrollere, at den lukkes. Kontroller også, at tilbagetrækningshåndtaget ikke berører

værktøjshuset. At lade klingen være blottet er MEGET FARLIGT og kan medføre alvorlig personskade.

- Kontroller funktionen af fjederen på den nederste klingebeskytter.** Hvis klingebeskytteren og fjederen ikke fungerer korrekt, skal de repareres, før saven anvendes. Den nederste klingebeskytter kan fungere dårligt på grund af beskadigede dele, fastsiddende gummi eller ophobning af snavs.
- Den nederste klingebeskytter må kun trækkes tilbage manuelt i forbindelse med særlige snit, f.eks. "indstikssnit" og "kombinerede snit".** Løft den nederste klingebeskytter ved hjælp af tilbagetrækningshåndtaget, og slip den nederste klingebeskytter, så snart klingens sidder i materialet. Til al anden savning skal den nederste klingebeskytter fungere automatisk. Understøt brættet eller panelet i nærheden af snittet for at undgå tilbageslag. Understøt ikke brættet eller panelet langt fra snittet.
- Se altid efter, om den nederste klingebeskytter dækker klingens, før saven stilles på arbejdsbænken eller gulvet.** En ubeskyttet drejende klinge vil få saven til at bevæge sig baglæns, mens den skærer i alt, hvad den kommer i kontakt med. Vær opmærksom på den tid, det tager for klingens at stoppe, efter at kontakten slippes. Før De stiller værktøjet fra Dem efter at have foretaget en skæring, skal De sikre dem, at den nederste klingebeskytter er lukket, og at klingens er stoppet helt.
- Vær ekstra forsigtig ved skæring i vådt træ, trykbehandlet træ eller træ, der indeholder knaster.** Juster skæringshastigheden, så værktøjet bevæger sig jævnt fremad, uden at klingens hastighed reduceres.
- Undgå at save i søm. Se efter og fjern alle søm fra træet, før De skærer.**
- Sæt den brede del af savens basis mod den del af arbejdsemnet, der er understøttet solidt, ikke mod den del, der falder af, når snittet er færdigt.** Fig. 5 viser et eksempel på den RIGTIGE måde at skære enden af et bræt, og Fig. 6 viser den FORKERTE måde. Fastspænd arbejdsemnet, hvis det er kort eller lille. **DE MÅ IKKE HOLDE KORTE ARBEJDSSEMMER I HÅNDEN!**
- Forsøg aldrig at save med rundsaven fastspændt med bunden i vejret i en skruestik.** Dette er ekstremt farligt og kan medføre alvorlige uheld. (Fig. 7)
- Nogle materialer indeholder kemikalier, som kan være giftige.** Undgå at indånde støv eller at få det på huden. Følg sikkerhedsinstruktionerne fra leverandøren af materialerne.
- Stop ikke klingerne ved at trykke på siden af savklingen.**
- Anvend altid de klinger, der anbefales i denne brugsanvisning.** Anvend ikke nogen former for slibeskiver.
- Bær støvmaske og høreværn, når værktøjet anvendes.**

## GEM DISSE INSTRUKTIONER

### ADVARSEL:

MISBRUG eller manglende overholdelse af sikkerhedsreglerne i denne brugsanvisning kan medføre alvorlig personskade.

## VIGTIGE SIKKERHEDSINSTRUKTIONER FOR BATTERIPAKKEN

- Før brugen af batteripakken skal De læse alle instruktioner og advarsler på (1) batteriopladeren, (2) batteriet og (3) det produkt, som batteriet anvendes i.**
- Skil ikke batteripakken ad.**
- Hvis driftstiden bliver betydeligt kortere, skal De straks ophøre med brugen.** Brug kan medføre risiko for overophedning, mulige forbrændinger eller endog eksplosion.
- Hvis De får elektrolyt i øjnene, skal De med det samme rense øjnene med rent vand og søge læge.** Dette kan medføre tab af synet.
- Kortslut ikke batteripakken:**
  - Undgå at berøre terminalerne med ledende materiale.**
  - Undgå at opbevare batteripakken i en beholder med andre metalgenstande som f.eks. søm, mønter osv.**
  - Udsæt ikke batteripakken for vand eller regn.** Hvis batteriet kortsluttes, kan det medføre voldsom strøm, overophedning, mulige forbrændinger og endog nedbrud.
- Undgå at opbevare værktøjet og batteripakken på steder, hvor temperaturen kan komme op på eller overstige 50°C (122°F).**
- Sæt ikke ild til batteripakken, selvom den er alvorligt beskadiget eller helt udtjent.** Batteripakken kan eksplodere ved brand.
- Undgå at tabe eller slå på batteriet.**

## GEM DISSE INSTRUKTIONER

### Tip til, hvordan De forlænger batteriets levetid

- Udskift batteripakken, før den bliver helt afladet.** Ophør med at bruge værktøjet, og udskift batteripakken, hvis strømmen til værktøjet aftager.
- Oplad aldrig en fuldt opladet batteripakke.** Overopladning forkorter batteriets levetid.
- Oplad batteripakken ved stuetemperatur på 10°C – 40°C (50°F – 104°C).** Lad batteripakken køle ned, før den oplades, hvis den er varm.

## FUNKTIONSBESKRIVELSE

### FORSIGTIG:

- Sørg altid for, at værktøjet er slukket, og at batteripakken er taget ud, før De justerer værktøjet eller kontrollerer dets funktion.

## Montering eller afmontering af batteripakken (Fig. 8)

- Sluk altid for værktøjet, før De monterer eller afmonterer batteripakken.
- Ved afmontering af batteripakken trækkes den ud af værktøjet, mens der trykkes på knappen på siden af pakken.
- Ved montering af batteripakken justeres tungen på batteripakken med rillen i huset, hvorefter pakken skubbes på plads. Sæt den altid hele vejen ind, indtil den låses på plads med et lille klik. Hvis den røde del øverst på knappen er synlig, er batteripakken ikke låst helt fast. Sæt den helt ind, indtil den røde del ikke er synlig. Ellers kan den falde ud af værktøjet og skade Dem eller andre personer i nærheden.
- Brug ikke magt ved montering af batteripakken. Hvis den ikke glider let ind, er den ikke indsat korrekt.

## Indstilling af skæredybde (Fig. 9)

### FORSIGTIG:

- Skru låsearmen godt fast, når skæredybden er indstillet.

Løsn låsearmen på siden af de bageste håndtag, og flyt basis op eller ned. Fastgør basis ved at stramme låsearmen ved den ønskede skæredybde.

De opnår renere og sikrere snit ved at indstille skæredybden, så der ikke stikker mere end én klingetand ud under arbejdsemnet. Anvendelse af den korrekte skæredybde hjælper med at reducere risikoen for farlige TILBAGESLAG, som kan forårsage personskade.

## Skråsnit (Fig. 10 og 11)

Løsn låsearmen på skalapladen til skråsnit forrest på basen. Indstil den ønskede vinkel (0° – 50°) ved at dreje tilsvarende, og stram låsearmen godt fast. Benyt 45° stopperen til nøjagtigt snit i en vinkel på 45°. Drej stopperen helt mod uret for skråsnit (0° - 45°), og drej den med uret for skråsnit på 0° - 50°.

## Indstilling (Fig. 12)

Ved lige snit justeres positionen A forrest på basen med skærelinjen. For skråsnit på 45° justeres positionen B med den.

## Betjening af kontakt (Fig. 13)

### FORSIGTIG:

- Før batteripakken sættes i værktøjet, skal De altid kontrollere, at kontaktgrebet reagerer korrekt og vender tilbage i "OFF"-stillingen, når De slipper det.
- Træk ikke hårdt i kontaktgrebet uden at trykke på låsehåndtaget. Dette kan ødelægge kontakten.

Et låsehåndtag forhindrer, at kontaktgrebet trækkes op ved et uheld. Værktøjet startes ved at trykke på låsehåndtaget og trække kontaktgrebet op. Slip kontaktgrebet for at stoppe.

### ADVARSEL:

- Af hensyn til Deres sikkerhed er værktøjet forsynet med et låsehåndtag, der forhindrer, at værktøjet starter ved et uheld. Anvend ALDRIG værktøjet, hvis det kører, når De trækker i kontaktgrebet uden at trykke på

låsehåndtaget. Indlever værktøjet til et MAKITA-servicecenter til reparation, FØR det benyttes igen.

- De må ALDRIG fastgøre låsehåndtaget med tape eller omgå dets funktion.

## Tænding af lampen

### FORSIGTIG:

- Se ikke direkte ind i lyset eller lyskilden.

Hvis De kun vil tænde lampen, skal De trække i kontaktgrebet uden at trykke på låsehåndtaget. Hvis De vil tænde for lampen og starte værktøjet, skal De trykke på låsehåndtaget og trække i kontaktgrebet, mens der trykkes på låsehåndtaget.

### BEMÆRK:

- Benyt en tør klud til at tørre snavs af lampens linse. Pas på ikke at ridse lampens linse, da det kan mindske lysstyrken.
- Brug ikke benzin, fortynder eller lignende til at rengøre lampens linse. Sådanne stoffer beskadiger linsen.

## MONTERING

### FORSIGTIG:

- Sørg altid for, at værktøjet er slukket, og at batteripakken er taget ud, før De udfører nogen form for arbejde på værktøjet.

## Afmontering eller montering af savklingen

### FORSIGTIG:

- Sørg for, at klingen er monteret, så tænderne peger opad foran på værktøjet.
- Anvend kun den medfølgende Makita-skruenøgle til at montere eller afmontere klingens.

For at afmontere klingens skal De trykke på skaftlåsen, så klingens ikke kan dreje, og anvende skruenøglen til at løsne sekskantmøtrikken i urets retning. Fjern derefter sekskantmøtrikken, den udvendige flange og klingens. (Fig. 14).

Følg fremgangsmåden til afmontering i omvendt rækkefølge for at montere klingens. SØRG FOR AT SPÆNDE SEKSKANTMØTRIKKEN FAST TIL MOD URET.

Ved skift af klinger skal De sørge for også at fjerne opsamlet savsmuld fra den øverste og nederste klingebeskytter. De skal dog stadig kontrollere den nederste klingebeskytters funktion, hver gang værktøjet skal anvendes. (Fig. 15).

## Opbevaring af umbracconøgle (Fig. 16)

Opbevar umbracconøglen som vist i figuren, når den ikke anvendes, for at forhindre, at den bliver væk.

## Tilslutning til støvsuger (Fig. 17 og 18)

Hvis De vil skære og holde arbejdsområdet rent, kan De tilslutte en Makita-støvsuger til værktøjet. Monter støvdysen på værktøjet ved hjælp af skruen. Slut derefter støvsugerslangen til støvdysen som vist i figuren.

## BETJENING (Fig. 19)

### FORSIGTIG:

- Sæt altid batteripakken helt ind, indtil den låses på plads. Hvis den røde del øverst på knappen er synlig, er batteripakken ikke låst helt fast. Sæt den helt ind, indtil den røde del ikke er synlig. Ellers kan den falde ud af værktøjet og skade Dem eller andre personer i nærheden.
- Sørg for at flytte værktøjet lige fremad uden at bruge magt. Hvis værktøjet tvinges eller vrides, kan det medføre overophedning af motoren og farligt tilbageslag, som kan føre til alvorlig personskade.
- Hvis værktøjet betjenes konstant, indtil batteripakken er afladet, skal De lade værktøjet hvile i 15 minutter, før De fortsætter med et nyt batteri.

Hold godt fast i værktøjet. Værktøjet har både et greb foran og et håndtag bagpå.

Hold værktøjet med begge hænder. Hvis begge hænder holder på saven, kan de ikke blive skåret af klingens. Placer basen på det arbejdsområde, der skal skæres i, uden at klingens berører arbejdsområdet. Tænd derefter værktøjet, og vent, indtil klingens når fuld hastighed. Flyt værktøjet fremad hen over arbejdsområdet, idet værktøjet holdes fladt og flyttes jævnt frem, indtil savningen er færdig.

De opnår rene snit ved at holde savelinjen lige og flytte værktøjet med jævn hastighed. Forsøg ikke at dreje eller tvinge værktøjet tilbage til skæringslinjen, hvis snittet ikke følger den ønskede skæringslinje. Hvis De gør dette, kan klingens komme i klemme, hvilket kan medføre farligt tilbageslag med risiko for alvorlig personskade. Slip kontakten, vent, til klingens er stoppet, og tag derefter værktøjet ud. Juster værktøjet med den nye skæringslinje, og start skæringen igen. Sørg ikke at stille Dem, så De bliver udsat for spåner og træsmuld, der udstødes fra savens. Bær øjenbeskyttelse for at undgå personskade.

## Parallelanslag (styrepind) (Fig. 20)

Med det praktiske parallelanslag kan De udføre ekstremt præcise lige skæringer. Skub parallelanslaget mod siden af arbejdsområdet, og fastgør det med skruen forrest på værktøjets basis. Det gør det også muligt at foretage flere skæringer med ens bredde.

## VEDLIGEHOVELSE

### FORSIGTIG:

- Sørg altid for, at værktøjet er slukket, og at batteripakken er taget ud, før De forsøger at udføre inspektion eller vedligeholdelse.

## Justering til nøjagtige skæringsvinkler på 90° og 45° (lodret og 45°-skæring) (Fig. 21 og 22)

Denne justering er udført på fabrikken. Hvis justeringen er unøjagtig, skal De indstille justeringsskruerne med en umbracconøgle, mens de 90° eller 45° kontrolleres med klingens og basis ved hjælp af en trekantlineal, en firkantlineal e.l.

## Udskiftning af kulbørster

Tag regelmæssigt kulbørsterne af, og efterse dem. Udskift dem, når de er nedslidte til slidgrænsen. Hold kulbørsterne rene og frie til at glide i holderne. Begge kulbørsterne skal udskiftes samtidig. Brug altid identiske kulbørster. (Fig. 23).

Brug en skruetrækker til at fjerne kulholderdækslerne. Tag de udslidte kulbørster ud, monter de nye, og fastgør kulholderdækslerne. (Fig. 24).

For at holde produktet SIKKERT og PÅLIDELIGT skal reparationer samt al anden vedligeholdelse eller justering udføres af autoriserede Makita-servicecentre, og der skal altid benyttes Makita-reservedele.

## TILBEHØR

### FORSIGTIG:

- Dette tilbehør eller ekstraudstyr anbefales til brug med det Makita-værktøj, som er beskrevet i denne brugsanvisning. Brug af andet tilbehør eller ekstraudstyr kan forårsage personskade. Brug kun tilbehør eller ekstraudstyr til det formål, det er beregnet til.

Henvend Dem til Deres lokale Makita-servicecenter, hvis De har brug for hjælp eller yderligere oplysninger vedrørende tilbehøret.

- Savklinger
- Parallelanslag (styrepind)
- Umbracconøgle 5
- Forskellige typer af originale batterier og opladere fra Makita
- Støvdyse

**Förklaring till översiktsbilder**

- |                   |                                     |                                 |
|-------------------|-------------------------------------|---------------------------------|
| 1. Röd del        | 11. Insexnyckel                     | 21. Främre handtag              |
| 2. Knapp          | 12. Inre fläns                      | 22. Låsskruv                    |
| 3. Batterikassett | 13. Sågblad                         | 23. Parallellanslag (styrinjal) |
| 4. Spärr          | 14. Yttre fläns                     | 24. Ställskruv för 45°          |
| 5. Stopp          | 15. Sexkantsbult                    | 25. Ställskruv för 90°          |
| 6. Sågbord        | 16. Dammsugaranslutning (tillbehör) | 26. Vinkelhake                  |
| 7. Säglinje       | 17. Skruv                           | 27. Slitagemarkering            |
| 8. Avtryckare     | 18. Slang                           | 28. Kolhållarlock               |
| 9. Säkerhetsspärr | 19. Dammsugare                      | 29. Skruvmejsel                 |
| 10. Axelbroms     | 20. Bakre handtag                   |                                 |

**SPECIFIKATIONER**

Modell		BSS610
Klingdiameter		165 mm
Max. sågdjup	vid 90°	57 mm
	vid 45°	40 mm
	vid 50°	36 mm
Obelastat varvtal (min <sup>-1</sup> )		3 700
Total längd		347 mm
Totalvikt		3,2 kg
Märkspänning		DC 18V

- På grund av vårt pågående program för forskning och utveckling kan dessa specifikationer ändras utan föregående meddelande.
- Obs! Specifikationerna kan variera mellan olika länder.

**Användningsområde**

Verktyget används för att såga längs och tvärs arbetsstycket och för vinkelsågning i god kontakt med arbetsstycket.

**SPECIFIKA SÄKERHETSANVISNINGAR**

**GLÖM INTE att noggrant följa säkerhetsanvisningarna för denna såg även efter att du blivit van att använda den. Ovarsam eller felaktig användning kan leda till allvarliga personskador.**

**FARA:**

- Håll alltid händerna borta från sågningsområdet. Håll den andra handen på det extra handtaget eller motorhuset.** Om du håller i sågen med båda händerna kan de inte skadas av klingan.
- Sträck dig inte in under arbetsstycket.** Skyddet har ingen skyddsfunktion under arbetsstycket. Ta aldrig bort sågat material medan klingan rör sig. **FÖRSIKTIGT!** Klingan stannar inte omedelbart när maskinen stängs av. Vänta tills klingan har stannat innan du tar bort det sågade materialet.
- Ställ in sågdjupet efter arbetsstyckets tjocklek.** Mindre än en sågtand får synas under arbetsstycket.
- Håll aldrig arbetsstycket i händerna eller i knät. Placera arbetsstycket på ett stabilt underlag.** Det är viktigt att arbetsstycket stöds ordentligt för att minimera skaderisker, undvika att klingan fastnar eller att något oväntat inträffar.  
Det är lämpligt att hålla händerna och att fästa arbetsstycket enligt bilden. (Fig. 1)
- Håll maskinen i de isolerade handtagen om det finns risk för att sågen kan komma i kontakt med**

en dold elkabel eller maskinens nätsladd. Kontakt med strömförande ledningar medför att maskinens metalldelar blir strömförande och ger användaren en elektrisk stöt.

6. **Vid klyvsågning ska alltid ett parallell- eller sidoanslag användas.** På så vis förbättras noggrannheten vid sågningen och risken för att klingan nyper fast minskar.
7. **Använd alltid en sågklinga med rätt storlek och form (diamant respektive rund) på styrhålen.** Klingor som inte passar monteringsfästet i sågen löper excentriskt, vilket ger en okontrollerbar sågning.
8. **Använd aldrig en klingbricka eller bult som på något sätt är felaktig eller skadad.** Klingbrickor och bultar är specialtillverkade till sågen för optimal prestanda och säkerhet.

#### 9. Orsaker till och förebyggande av bakåtkast:

- Bakåtkast är en plötslig reaktion när ett sågblad har fastnat eller är felriktat och innebär att sågen kastas upp ur arbetsstycket.
- Om klingan kläms eller fastnar och sågskäret därmed stoppas, driver motorkraften sågen mot användaren i hög hastighet.
- Om klingan böjs eller blir felriktad i sågskäret kan sågtänderna på klingans bakkant gräva sig in på ytan av arbetsstycket, driva klingan ur skäret och kasta sågen bakåt mot användaren.

Bakåtkast beror på ovarsamhet och/eller felaktiga arbetsrutiner och kan undvikas genom att vidta nedanstående förebyggande åtgärder.

- **Håll sågen stadigt med båda händerna och placera armarna så att de kan ta emot kraften från ett bakåtkast. Stå vid sidan av klingan och aldrig i dess linje.** Vid ett bakåtkast kastas sågen bakåt men kraften i bakåtkastet kan kontrolleras av användaren genom att försiktighetsåtgärder vidtas. Det är lämpligt att hålla händerna och att fästa arbetsstycket enligt bilden.
- **Om bladet kläms eller av annan orsak hindras i skäret ska du släppa avtryckaren och hålla sågen stilla i skäret tills klingan har stannat. För att undvika bakåtkast ska du aldrig försöka ta bort sågen från arbetsstycket eller dra sågen bakåt medan klingan är i rörelse.** Undersök och åtgärda orsaken till att klingan fastnar.
- **När sågen startas igen i arbetsstycket ska du centrera sågklingan i skäret och kontrollera att ingen sågtand är i ingrepp i materialet.** Om sågbladet sitter fast i materialet kan sågen klättra upp eller medföra bakåtkast när sågen startas på nytt.
- **Support large panels to minimise the risk of blade pinching and kickback.** Långa arbetsstycken böjs av sin egen tyngd. Placera stöd på båda sidorna, både nära såglinjen och vid kanten på arbetsstycket.

För att minimera risken för att klingan kläms fast och ger bakåtkast när sågningen kräver att sågen vilar på arbetsstycket ska sågen vila på den större delen och den mindre delen sågas av.

För att undvika bakåtkast ska arbetsstycket stödas vid såglinjen. (Fig. 2).

Stöd inte arbetsstycket för långt bort från såglinjen. (Fig. 3).

- **Använd aldrig en slö eller skadad klinga.** En oskarp eller felinställd klinga ger ett trångt sågskär som orsakar onödig friktion och klingan kan lättare fastna och ge bakåtkast. Håll klingan vass och ren. Gummi- och trärester på klingan hindrar sågningen och ökar risken för bakåtkast. Ta bort klingan från sågen och gör rent den med ett borttagningsmedel för gummi- och trärester, varmt vatten och fotogen. Använd aldrig bensin.
  - **Inställningarna för sågdjup och vinkel måste spärras innan du börjar såga.** Om du ändrar inställningarna under sågningens gång kan klingan fastna och ge bakåtkast.
  - **Var extra uppmärksam vid dyksågning in i en vägg eller andra dolda utrymmen.** Den utskjutande klingan kan såga av föremål som förorsakar bakåtkast. Dra tillbaka det nedre skyddet med skyddshandtaget vid dyksågning.
  - **Håll ALLTID maskinen stadigt med båda händerna. Håll ALDRIG handen eller fingrarna bakom sågen.** Vid eventuella bakåtkast kan sågen lätt kastas bakåt mot handen och orsaka allvarliga skador.
  - **Tvinga inte sågen. En såg som tvingas ger ojämnt skär, är svårare att styra och ger risk för bakåtkast.** Skjut sågen framåt med en sågningshastighet som låter klingan såga utan att tappa fart. (Fig. 4).
10. **Kontrollera att det nedre skyddet är stängt före varje sågning. Använd inte sågen om det nedre skyddet kärvar och inte stängs omedelbart. Kila aldrig fast det nedre skyddet i öppet läge.** Om du tappar sågen kan det nedre skyddet bli böjt. Lyft det nedre skyddet med handtaget och kontrollera att det kan röra sig fritt. Kontrollera att det inte vidrör klingan eller annan del under någon sågvinkel eller något sågdjup. Kontrollera det nedre skyddet genom att öppna det manuellt, släppa det och låta det stängas automatiskt. Kontrollera även att handtaget inte vidrör verktygshöljet. Lämna aldrig bladet oskyddat. Det är MYCKET FARLIGT och kan leda till allvarliga personskadorna.
  11. **Kontrollera funktionen hos det nedre skyddets fjäder. Om skyddet eller fjädern inte fungerar på avsett sätt ska sågen underhållas innan den används.** Det nedre skyddet kan fungera ojämnt på grund av skadade delar, gummiavlagringar eller andra ansamlingar.
  12. **Det nedre skyddet får endast dras tillbaka manuellt inför specialsågningar av typen dyksågning och hålsågning. Lyft det nedre skyddet med hjälp av handtaget och släpp det så snart klingan kommit i ingrepp.** Under alla andra typer av sågning ska det nedre skyddet automatiska funktion användas. För att undvika bakåtkast ska arbetsstycket stödas vid såglinjen. Stöd inte arbetsstycket för långt bort från såglinjen.

13. **Kontrollera alltid att det nedre skyddet täcker klingan innan du ställer ned sågen på ett arbetsbord eller golvet.** En oskyddad klinga som roterar medför att sågen vandrar bakåt och sågar i allt som kommer i dess väg. Tänk på att det tar en stund innan klingan stannar efter att du har släppt avtryckaren. Kontrollera att det nedre skyddet är stängt och att klingan har stannat innan du ställer ifrån dig sågen.
14. **Var extra försiktig vid sågning i fuktigt, tryckbehandlat och kvistigt trä.** Justera sågningshastigheten så att sågen rör sig framåt utan att klingan tappar fart.
15. **Undvik att såga i spikar.** Kontrollera arbetsstycket och ta bort alla spikar innan du börjar såga.
16. **Placera större delen av sågbordet på den del av arbetsstycket som har ett fast stöd och inte på den del som ska sågas bort.** I fig. 5 visas RÄTT sätt att såga av kanten på en skiva och i fig 6 visas FEL sätt. Kläm fast arbetsstycken som är små eller korta. **FÖRSÖK INTE ATT HÅLLA SMÅ ARBETSSTYCKEN I HANDEN!**
17. **Använd aldrig sågen upp-och-nedvänd i ett skruvstycke.** Det är extremt farligt och kan leda till allvarliga olyckor. (Fig. 7)
18. **Vissa material kan innehålla giftiga kemikalier.** Se till att du inte andas in damm eller får det på huden. Följ anvisningarna i leverantörens materialsäkerhetsblad.
19. **Stoppa inte klingan genom att utsätta den för sidokrafter.**
20. **Använd alltid klingor som rekommenderas i denna bruksanvisning.** Använd inte slipprondeller.
21. **Använd alltid andningsmask och hörselskydd när du arbetar med verktyget.**

## SPARA BRUKSANVISNINGEN

### WARNING!

**OVARSAM** hantering eller användning som inte följer säkerhetsanvisningarna i denna bruksanvisning kan leda till allvarliga personskador.

## VIKTIGA SÄKERHETSANVISNINGAR FÖR BATTERIKASSETTEN

1. **Innan batterikassetten används ska alla instruktioner och varningsmärken på (1) batteriladdaren, (2) batteriet och (3) produkten läsas.**
2. **Demontera inte batterikassetten.**
3. **Om driftstiden blivit avsevärt kortare ska användningen avbrytas omedelbart. Det kan uppstå överhettning, eventuella brännskador och t o m en explosion.**
4. **Om du får elektrolyt i ögonen ska de sköljas med rent vatten och läkare uppsöks omedelbart. Du kan förlora synen annars.**
5. **Kortslut inte batterikassetten:**

- (1) **Rör inte vid polerna med något strömförande material.**
- (2) **Undvik att förvara batterikassetten tillsammans med andra metallobjekt som t ex spikar eller mynt.**
- (3) **Skydda batteriet för vatten.**  
Ett kortslutet batteri kan orsaka ett stort strömflöde, överhettning, eventuella brännskador och maskinen kan till och med gå sönder.
6. **Förvara inte verktyget och batterikassetten på en plats där temperaturen kan nå eller överstiga 50°C (122°F).**
7. **Bränn inte upp batterikassetten även om den är svårt skadad eller helt utsliten. Batterikassetten kan explodera i öppen eld.**
8. **Var försiktig så du inte råkar tappa batteriet och utsätt det inte för stötar.**

## SPARA BRUKSANVISNINGEN

### Tips för att uppnå batteriets maximala livslängd

1. **Ladda batterikassetten innan den laddas ur helt. Sluta att använda verktyget och ladda batterikassetten när du märker att kraften avtar.**
2. **Ladda aldrig en fulladdad batterikasset. Överladdning förkortar batteriets livstid.**
3. **Ladda batterikassetten vid rumstemperatur mellan 10°C och 40°C (50°F - 104°C). Låt en varm batterikasset svalna innan den laddas.**

## FUNKTIONSBEKRIVNING

### FÖRSIKTIGT!

- Se alltid till att verktyget är avstängt och att batterikassetten är borttagen innan verktygets funktioner justeras eller kontrolleras.

### Montera eller demontera batterikassetten (Fig. 8)

- Stäng alltid av verktyget innan batterikassetten monteras eller demonteras.
- För att ta loss batteriet drar du av det från verktyget samtidigt som du trycker på skjutknappen på sidan av kassetten.
- För att montera batterikassetten riktar du in tungan på batterikassetten mot spåret i höljet och trycker den på plats. Tryck alltid i den hela vägen tills den låser fast med ett litet klick. Om du kan se den röda delen på knappens ovansida är den inte riktigt låst. Skjut in den helt tills den röda delen inte längre syns. I annat fall kan batterikassetten lossna oväntat från verktyget och skada dig eller någon annan.
- Använd inte för stor kraft för att sätta fast batterikassetten. Om kassetten inte lätt glider på plats är den felinsatt.

### Justering av sågdjupet (Fig. 9)

### FÖRSIKTIGT!

- Dra alltid åt spärren ordentligt efter att sågdjupet justerats.

Lossa spärren på sidan av det nedre handtaget och flytta sågbordet uppåt eller nedåt. Läs bordet med spärren när du har ställt in sågdjupet.

Bästa sågresultat och säkraste sågning erhålls om sågdjupet ställs in så att endast en sågtand syns på arbetsstyckets undersida. Rätt inställning av sågdjupet bidrar till att minska risken för BAKÅTKAST som kan medföra allvarliga personskador.

### Vinkelsågning (Fig. 10 & 11)

Lossa spärren på vinkelskalan på den främre delen av sågbordet. Ställ in lämplig vinkel (0° – 50°) genom att luta maskinen i motsvarande mån och dra sedan åt spärren. Använd stoppet vid 45° för att få exakt 45° vinkel. Vrid spärren moturs för vinklarna 0° - 45° och medurs för vinklarna 0° - 50°.

### Siktskåra (Fig. 12)

För raka skår används position A framtill på sågbordet för att rikta in såglinjen. För 45° vinkelsågning används position B.

### Avtryckarens funktion (Fig. 13)

#### FÖRSIKTIGT!

- Innan du sätter in batterikassetten i verktyget ska du kontrollera att avtryckaren fungerar och återgår till läget "OFF" när du släpper den.
- Tryck aldrig in avtryckaren utan att ha tryckt in säkerhetsspärren. Det kan skada avtryckaren.

Säkerhetsspärrens funktion är att förhindra att avtryckaren oavsiktligt trycks in. Tryck in säkerhetsspärren och tryck sedan på avtryckaren för att starta maskinen. Släpp avtryckaren för att stoppa den.

#### WARNING!

- Detta verktyg är utrustat med en säkerhetsspärr som förhindrar oavsiktlig start. Använd ALDRIG verktyget om det startar när du trycker på avtryckaren utan att ha tryckt in säkerhetsspärren. Returnera verktyget till MAKITA servicecenter för reparation INNAN du fortsätter att använda det.
- Sätt ALDRIG säkerhetsspärren ur funktion genom att ta ex tejp över den.

### Tända lampan

#### FÖRSIKTIGT!

- Titta inte in i ljuset eller direkt i ljuskällan.

Tryck på säkerhetsspärren utan att trycka på avtryckaren om du endast vill tända lampan. Om du vill använda verktyget med tänd lampa trycker du avtryckaren medan du håller säkerhetsspärren intryckt.

#### Obs!

- Använd en torr trasa för att torka bort smuts från lampglasat. Var försiktig så att inte lampglasat repas eftersom ljuset då kan bli svagare.
- Använd inte bensin, thinner eller liknande för att rengöra lampan. Sådana ämnen skadar glasat.

## MONTERING

#### FÖRSIKTIGT!

- Se alltid till att verktyget är avstängt och att batterikassetten är borttagen innan verktyget underhålls.

### Montera och ta bort sågklingan

#### FÖRSIKTIGT!

- Montera klingan med sågtänderna uppåt i maskinens framkant.
- Använd endast medföljande insexnyckel från Makita för att montera eller ta bort sågbladet.

Ta bort klingan genom att trycka på axelbromsen så att klingan inte kan rotera och lossa bulten medurs med insexnyckeln. Ta sedan bort bulten, den yttre flänsen och klingan. (Fig. 14).

Montera klingan i omvänd ordning. SE TILL ATT DRA ÅT BULTEN MEDURS ORDENTLIGT.

Kontrollera att det övre och nedre klingskyddet är rent i samband med klingbytet. Denna kontroll ersätter dock inte kontrollen av det nedre skyddet inför varje användningstillfälle. (Fig. 15).

### Förvaring av insexnyckeln (Fig. 16)

Förvara insexnyckeln enligt figuren när den inte används så att du alltid har den till hands.

### Ansluta dammsugare (Fig. 17 & 18)

Anslut en dammsugare från Makita när du vill ha rent under sågningen. Skruva fast dammsugaradaptorn på verktyget med skruven. Anslut sedan dammsugarsslangen på det sätt som visas i figuren.

## ANVÄNDNING (Fig. 19)

#### FÖRSIKTIGT!

- Skjut alltid in batterikassetten ordentligt tills den låses på plats. Om du kan se den röda delen på knappens ovan sida är den inte riktigt låst. Skjut in den helt tills den röda delen inte längre syns. I annat fall kan batterikassetten lossna oväntat från verktyget och skada dig eller någon annan.
- Se till att verktyget förs mjukt längs en rät linje. Om du tvingar eller vrider sågen överhettas motorn och det finns risk för kraftiga bakåtkast som kan medföra allvarliga skador.
- Om verktyget används löpande tills batteriet är tomt bör verktyget vila 15 minuter innan arbetet fortsätter med ett laddat batteri.

Håll maskinen stadigt. Verktyget är försett med handtag både fram och bak.

Använd båda handtagen för att hålla verktyget stadigt. Om du håller med båda händerna i sågen kan de inte skadas av klingan. Ställ ned sågbordet på arbetsstycket utan att klingan kommer i kontakt. Starta maskinen och vänta tills klingan uppnått full hastighet. För sedan sågen framåt över arbetsstyckets yta. Håll sågen plant och för den mjukt framåt tills sågningen är klar.

Såga på en rät linje och med jämn hastighet för bästa sågresultat. Försök inte att vrida eller tvinga verktyget tillbaka i såglinjen om den avsedda såglinjen inte kan



följas. I så fall kan klingan fastna och farliga bakåtkast inträffa med risk för allvariga skador som följd. Släpp avtryckaren, vänta tills klingan har stannat och ta sedan bort verktyget. Rikta in verktyget längs en ny såglinje och starta sågningen på nytt. Undvik att stå så att du utsätts för spånor och damm som kastas ut från sågen. Använd skyddsglasögon för att undvika skador.

### **Parallellanslag (styrlinjal) (Fig. 20)**

Ett praktiskt parallellanslag underlättar raka skär. Placera parallellanslaget dikt an mot arbetsstyckets sida och lås fast det med skruven framtill på sågbordet. Parallellanslaget kan också användas när du vill såga flera arbetsstycken med samma bredd.

## **UNDERHÅLL**

### **FÖRSIKTIGT!**

- Se alltid till att verktyget är avstängt och att batterikassetten är borttagen innan inspektion eller underhåll utförs.

### **Inställning av 90° och 45° vinkel (vertikalsågning och 45° sågning) (Fig. 21 & 22)**

Dessa inställningar är fabriksinställningar. Om inställningarna har ändrats justerar du inställningsskruven med insexnyckeln samtidigt som vinkeln 90° eller 45° kontrolleras med t ex en vinkelhake.

### **Byte av kolborstar**

Ta bort och kontrollera kolborstarna regelbundet. Byt dem när de är slitna ner till slitagemarkeringen. Håll kolborstarna rena och fria för att de lätt ska kunna glida in i hållarna. Båda kolborstarna ska bytas ut samtidigt. Använd endast identiska kolborstar. (Fig. 23).

Använd en skruvmejsel för att ta bort kolhållarlocken. Ta ur de utslitna kolborstarna, montera nya och fäst kolhållarlocken. (Fig. 24).

För att upprätthålla produktens SÄKERHET och TILLFÖRLITLIGHET, bör allt underhålls- och justeringsarbete utföras av ett auktoriserat Makita servicecenter, med användning av reservdelar från Makita.

## **TILLBEHÖR**

### **FÖRSIKTIGT!**

- Dessa tillbehör och tillsatser rekommenderas för användning tillsammans med din Makita-maskin som anges i denna bruksanvisning. Om andra tillbehör eller tillsatser används kan det uppstå risk för personskador. Använd endast tillbehören eller tillsatserna för de syften de är avsedda för.

Kontakta ditt lokala Makita servicecenter om du behöver ytterligare information om dessa tillbehör.

- Sägklingor
- Parallellanslag (styrlinjal)
- Insexnyckel 5
- Olika typer av originalbatterier och -laddare från Makita
- Dammsugaradapter

## NORWEGIAN

### Oversiktsforklaring

- |                    |                          |                                     |
|--------------------|--------------------------|-------------------------------------|
| 1. Rød del         | 11. Sekskantnøkkel       | 21. Fronthåndtak                    |
| 2. Knapp           | 12. Indre flens          | 22. Klemkrue                        |
| 3. Batteri         | 13. Sagblad              | 23. Parallellanlegg (føringslinjal) |
| 4. Hendel          | 14. Ytre flens           | 24. Justeringskrue for 45°          |
| 5. Stopper         | 15. Sekskantskrue        | 25. Justeringskrue for 90°          |
| 6. Fot             | 16. Støvutløp (tilbehør) | 26. Trekantiinjal                   |
| 7. Skjærelinje     | 17. Skrue                | 27. Utskiftingsmerke                |
| 8. Startbryter     | 18. Slange               | 28. Børsteholderhette               |
| 9. AV-sperrehendel | 19. Støvsuger            | 29. Skrutrekker                     |
| 10. Spindellås     | 20. Bakre håndtak        |                                     |

## TEKNISKE DATA

Modell		BSS610
Bladdiameter		165 mm
Maks. skjæredybde	ved 90°	57 mm
	ved 45°	40 mm
	ved 50°	36 mm
Hastighet uten belastning (min <sup>-1</sup> )		3.700
Total lengde		347 mm
Nettovekt		3,2 kg
Merkespenning		DC 18 V

- Som følge av vårt kontinuerlige forsknings- og utviklingsprogram kan de tekniske dataene endres uten ytterligere forvarsel.
- Merk: Tekniske data kan variere fra land til land.

### Riktig bruk

Verktøyet er beregnet på saging av langsgående og tversgående rette snitt og gjæringsnitt med vinkler i tre, mens det er i tett kontakt med arbeidsemnet.

## SPESIFIKKE SIKKERHETSREGLER

**IKKE LA hensynet til hva som er "behagelig" eller det faktum at du kjenner produktet godt (etter mange gangers bruk) gjøre deg mindre oppmerksom på sikkerhetsreglene for bruken av sirkelsagen. Hvis du bruker dette verktøyet på en farlig eller ukorrekt måte, kan du få alvorlige helseskader.**

### FARE:

- 1. Hold hendene unna kappeområdet og bladet. Hold den andre hånden på hjelpehåndtaket eller på motorhuset.** Hvis du holder saken med begge hendene, risikerer du ikke at de blir skåret av bladet.
- 2. Ikke strekk hånden inn under arbeidsemnet.** Bladvernet kan ikke beskytte deg mot bladet under arbeidsemnet. Ikke forsøk å fjerne kapp mens bladet er i bevegelse.  
FORSIKTIG: Bladene roterer fritt etter at maskinen er slått av. Vent til bladet stopper før du griper det materialet som er kappet.
- 3. Juster skjæredybden til tykkelsen av arbeidsemnet.** Mindre enn en hel sagtann skal være synlig nedenfor arbeidsemnet.
- 4. Du må aldri holde arbeidsemnet med hendene eller la det ligge tvers over bena dine. Fest arbeidsemnet til et stabilt underlag.** Det er viktig å støtte arbeidsemnet ordentlig for å gjøre risikoen minst mulig for å få skader, for at bladet skal sette seg fast, eller for at du skal miste kontrollen.

En typisk illustrasjon av riktig støtte for hånden og arbeidsemnet. (Fig. 1)

5. **Hold maskinen i de isolerte håndtakene når du utfører en operasjon der bladet kan komme i kontakt med skjulte ledninger eller ledningen til maskinen selv.**Kontakt med en strømførende ledning vil også gjøre uisolerte deler av maskinen strømførende og gi operatøren elektrisk støt.
6. **Ved kløving må du alltid bruke et parallellanlegg eller en føring med rett kant.** Dette forbedrer nøyaktigheten av kuttet og reduserer risikoen for at bladet skal sette seg fast.
7. **Det må alltid brukes blader med riktig størrelse og form (diamant eller rund) på akselhullet.** Blader som ikke passer til monteringsmekanismen på sagen vil rotere med kast, og bli umulige å kontrollere.
8. **Bruk aldri ødelagte eller feilaktige skiver eller skruer til bladet.** Både skivene og skruen til bladet ble utviklet spesielt for din sag, for å gi optimal ytelse og maksimal driftssikkerhet.
9. **Årsaker til tilbakeslag og hvordan operatøren kan forhindre dette:**

- Tilbakeslag er en plutselig reaksjon på et klemt, fastsittende eller feiljustert sagblad, som kan føre til at en sag som ikke holdes godt fast blir løftet opp og ut av arbeidsemnet, og mot operatøren.
- Når bladet kommer i klem eller setter seg fast ved at snittet lukker seg, stopper bladet, og motoren driver enheten hurtig tilbake mot operatøren.
- Hvis bladet blir vridd eller feiljustert i snittet, vil tennene i bakkant av bladet grave seg inn i den øvre kanten av arbeidsemnet, slik at bladet arbeider seg ut av snittet og spretter tilbake mot operatøren.

Tilbakeslag er et resultat av feil bruk av sagen og/eller feilaktige arbeidsprosedyrer eller arbeidsforhold, og kan unngås hvis man tar de rette forholdsregler (se nedenfor).

- **Hold sagen i et fast grep med begge hender, og hold armene dine slik at de kan motstå kraften fra sagen i tilfelle den slår tilbake mot deg. Pass på at du har kroppen på den ene eller andre siden av bladet, men ikke på linje med bladet.** Tilbakeslag kan få sagen til å hoppe bakover, men kreftene i tilbakeslaget kan kontrolleres av operatøren, hvis vedkommende tar sine forholdsregler. En typisk illustrasjon av riktig støtte for hånden og arbeidsemnet.
- **Når bladet setter seg fast, eller når du av en eller annen grunn vil avbryte sagingen, må du slippe startbryteren og holde sagen stille i materialet inntil bladet har stoppet helt. Du må aldri forsøke å fjerne sagen fra arbeidsemnet eller å trekke den bakover mens bladet er i bevegelse, da dette kan få sagen til å slå tilbake mot deg.** Undersøk hvorfor bladet setter seg fast og sett i verk avhjelpende tiltak.
- **Når du starter sagen i arbeidsemnet igjen, må du sentrere sagbladet i snittet og kontrollere at sagtennene ikke sitter i materialet.** Hvis sagbladet sitter fast, kan det komme opp eller føre

til at sagen slår tilbake mot deg når den startes igjen.

- **Støtt opp større plater for å redusere risikoen så mye som mulig for at bladet kommer i beknip, og for tilbakeslag.** Større plater har en tendens til å bøye seg under sin egen vekt. Støttene må plasseres under platen på begge sider, nær kappelinjen og nær kantene av platen.

Å redusere risikoen så mye som mulig for at bladet kommer i beknip, og for tilbakeslag. Når en arbeidsoperasjon krever at sagen hviler på arbeidsemnet, bør sagen settes på den største delen av arbeidsemnet, og den minste delen skjæres av.

For å unngå at maskinen slår tilbake mot deg, må du ikke støtte opp bordet eller platen helt inntil snittet. (Fig. 2)

Ikke støtt opp bordet eller platen bort fra snittet. (Fig. 3)

- **Ikke bruk sløve eller ødelagte blader.** Uskarpe eller feilaktig innstilte blader gir trangt snitt, noe som forårsaker kraftig friksjon, får bladet til å sette seg fast og resulterer i at sagen slår tilbake mot operatøren. Hold bladet skarpt og rent. Harpiks og bek som størkner på bladene reduserer turtallet på sagen og øker risikoen for tilbakeslag. Hold bladet rent ved først å ta det av verktøyet og deretter gjøre det rent med en harpiks- og bekfjerner, varmt vann eller parafin. Du må aldri bruke bensin.
- **Bladdybden og låsehendlene for avfajngjusteringen må være strammet og festet før snittet gjøres.** Hvis justeringen av bladet endrer seg under sagingen, kan bladet sette seg fast, noe som kan få maskinen til å slå tilbake mot operatøren.
- **Vær ekstra forsiktig når du foretar et innstikk i eksisterende vegger eller andre områder uten innsyn.** Det fremstikkende bladet kan treffe gjenstander som kan forårsake tilbakeslag. I forbindelse med innstikk må det nedre vernet trekkes tilbake ved hjelp av hevehendelen.
- **Verktøyet MÅ ALLTID holdes fast med begge hender. Du må ALDRI plassere hånden din eller fingrene dine bak sagen.** Hvis det skjer et tilbakeslag, kan sagen lett komme til å hoppe bakover over hånden din og forårsake alvorlige helseskader.
- **Bruk aldri makt på sagen. Hvis du bruker makt på sagen, kan det gi ujevne snitt, dårligere nøyaktighet og muligheter for tilbakeslag.** Skyv sagen fremover med en slik hastighet at bladet skjærer uten å miste fart. (Fig. 4)

10. **Kontroller at det nedre vernet er ordentlig lukket før bruk. Ikke begynn å bruke sagen hvis det nedre vernet ikke beveger seg fritt og lukker seg momentant. Det nedre vernet må aldri klemmes fast eller bindes opp i åpen stilling.** Hvis sagen ved et ulykkestilfelle skulle falle ned, kan det nedre vernet bli bøyd. Løft det nedre vernet med hevehendelen og forviss deg om at det beveger seg fritt og ikke berører bladet eller andre deler, uansett snittvinkel eller -dybde.

For å kontrollere det nedre vernet må du åpne det

med hånden, løsne det og iaktt hvordan vernet lukker seg. Kontroller også at hevehendelen ikke berører verktøyhuset. Det er MEGET FARLIG å gå fra et utildekket sagblad, da dette kan føre til alvorlige helseskader.

- Kontroller at fjæren til det nedre vernet virker som den skal. Hvis vernet og fjæren ikke fungerer som de skal, må de etterses før bruk.** Det nedre vernet kan gå tregt pga. ødelagte deler, gummiavlreiring eller opphopning av spon.
- Det nedre vernet bør trekkes tilbake manuelt bare i forbindelse med spesielle typer snitt, som f.eks. innstikk og kombinasjonssaging.** Hev det nedre vernet ved hjelp av hevehendelen og slipp det så snart bladet går inn i materialet. For all annen saging bør det nedre vernet få lov til å fungere automatisk. For å unngå at maskinen slår tilbake mot deg, må du ikke støtte opp bordet eller platen helt inntil snittet. Ikke støtt opp bordet eller platen bort fra snittet.
- Se alltid etter at det nedre vernet dekker bladet før du setter sagen på arbeidsbenken eller gulvet.** Et ubeskyttet, roterende blad vil få maskinen til å bevege seg bakover mens bladet kapper alt som kommer i dets vei. Vær oppmerksom på at bladet trenger en viss tid for å stoppe etter at bryteren er sluppet. Før du setter verktøyet ned etter å ha fullført et kutt, må du forvise deg om at det nedre vernet er lukket og at bladet har stoppet helt.
- Vær spesielt forsiktig når du sager fuktig tre, trykkbehandlet tømmer eller tre med kvist.** Juster skjærehastigheten slik at verktøyet beveger seg jevnt fremover uten at bladhastigheten reduseres.
- Unngå å sage i spikre. Se etter og fjern alle spikere fra arbeidsemnet før arbeidet påbegynnes.**
- Sett den bredeste delen av sagfoten på den delen av arbeidsemnet som er godt støttet opp, ikke på den delen som kommer til å falle av når snittet er fullført.** Fig. 5 viser den RIKTIGE måten å kappe enden av et bord på, og Fig. 6 den GALE måten. Hvis arbeidsemnet er kort eller lite, må det klemmes fast. **IKKE FORSØK Å HOLDE KORTE STYKKER I HÅNDEN!**
- Forsøk aldri å sage mens sirkelsagen holdes opp ned i en skrustikke.** Dette er ekstremt farlig og kan forårsake alvorlige ulykker. (Fig. 7)
- Enkelte materialer inneholder kjemikalier som kan være giftige. Treff tiltak for å hindre innånding av støv og hudkontakt. Følg leverandørens sikkerhetsanvisninger.
- Ikke stopp bladene ved å presse sideveis på sagbladet.
- Bruk alltid blader anbefalt i denne håndboken. Ikke bruk slipeskiver.
- Bruk en støvmaske og hørselvern når du bruker verktøyet.

## TA VARE PÅ DISSE ANVISNINGENE.

### ADVARSEL:

**MISBRUK** av verktøyet eller mislighold av sikkerhetsreglene i denne brukerhåndboken kan resultere i alvorlige helseskader.

## VIKTIGE SIKKERHETSANVISNINGER FOR BATTERI

- Før du begynner å bruke batteriet, må du lese alle anvisninger og forsiktighetsregler på (1) batteriladere, (2) batteriet og (3) det produktet batteriet skal brukes i.**
- Ikke ta fra hverandre batteriet.**
- Hvis driftstiden er blitt vesentlig kortere, må du omgående slutte å bruke verktøyet.** Hvis ikke kan resultatet bli overoppheting, mulige forbrenninger eller til og med en eksplosjon.
- Hvis du får elektrolytt i øynene, må du skylle dem med store mengder rennende vann og oppsøke lege med én gang.** Denne typen uhell kan føre til varig blindhet.
- Ikke kortslett batteriet.**
  - Ikke berør batteripolene med ledende materialer.**
  - Ikke lagre batteriet i samme beholder som andre metallgjenstander, som for eksempel spiker, mynter osv.**
  - Ikke la batteriet komme i kontakt med vann eller regn.**En kortslutning av batteriet kan føre til et kraftig strømstøt, overoppheting, mulige forbrenninger og til og med til at batteriet går i stykker.
- Ikke lagre verktøyet og batteriet på steder hvor temperaturen kan komme opp i eller overskride 50 °C (122 °F).**
- Ikke sett fyr på batteriet, ikke engang om det er sterkt skadet eller helt utslitt.** Batteriet kan eksplodere hvis det begynner å brenne.
- Vær forsiktig så du ikke mister batteriet eller utsetter det for slag.**

## TA VARE PÅ DISSE ANVISNINGENE.

### Tips for å opprettholde maksimal batterilevetid

- Lad batteriet igjen før det er fullstendig utladet. Hold alltid opp å bruke verktøyet når du merker at det er lite strøm på batteriet. Sett batteriet til lading.
- Et helt oppladet batteri må aldri settes til ny lading. Overopplading forkorter batteriets levetid.
- Lad opp batteriet ved romtemperatur, dvs. 10 °C - 40°C (50 °F - 104°C). Hvis batteriet er varmt, må det få avkjøle seg før lading.

# FUNKSJONSBEKRIVELSE

## FORSIKTIG:

- Forviss deg alltid om at maskinen er slått av og batteriet tatt ut før du justerer maskinen eller kontrollerer dens mekaniske funksjoner.

## Montere eller demontere batteriet (Fig. 8)

- Verktøyet må alltid slås av før du setter inn eller tar ut batteriet.
- For å fjerne batteriet må du trekke det ut av verktøyet mens du skyver knappen på siden av batteriet.
- Når du skal sette inn batteriet, må du plassere tungen på batteriet på linje med sporet i huset og skyve batteriet på plass. Batteriet må alltid skyves helt inn til det går i inngrep med et lite klikk. Hvis du kan se den røde delen på oversiden av knappen, er det ikke gått skikkelig i lås. Sett batteriet helt inn, så langt at den røde delen ikke lenger er synlig. Hvis dette ikke gjøres, kan batteriet komme til å falle ut av verktøyet og skade deg eller andre som oppholder seg i nærheten.
- Ikke bruk makt når du setter inn batteriet. Hvis batteriet ikke glir lett inn, er det fordi det ikke settes inn på riktig måte.

## Justere skjæredybden (Fig. 9)

### FORSIKTIG:

- Når du har justert skjæredybden, må du alltid stramme hendelen godt.

Løsne hendelen på siden av det bakre håndtaket og flytt foten opp eller ned. Fest foten ved ønsket skjæredybde ved å stramme hendelen.

For at kuttene skal bli renere og sikrere må du stille inn skjæredybden slik at ikke mer enn én sagtann stikker ut under arbeidsemnet. Hvis skjæredybden er riktig, reduseres risikoen for farlige TILBAKESLAG som kan forårsake helseskader.

## Skråskjæring (Fig. 10 og 11)

Løsne hendelen på skråkalaplaten på forsiden av foten. Still inn den ønskede vinkelen ( $0^\circ - 50^\circ$ ) ved å vippe på maskinen, og stram deretter hendelen forsvarlig. Bruk stopperen  $45^\circ$  når du vil sage i nøyaktig  $45^\circ$  vinkel. Drei stopperen så langt den går moturs for skråskjæring i intervallet ( $0^\circ - 45^\circ$ ) og drei den medurs for skråskjæring i intervallet  $0^\circ - 50^\circ$ .

## Sikting (Fig. 12)

Ved skjæring av rette linjer må A-merket foran på foten samstemmes med skjærelinjen på arbeidsemnet. For  $45^\circ$  skråskjæring samstemmes B-merket med skjærelinjen.

## Bryterfunksjon (Fig. 13)

### FORSIKTIG:

- Før du setter batteriet inn i maskinen, må du alltid kontrollere at startbryteren aktiverer maskinen på riktig måte og går tilbake til "AV"-stilling når den slippes.
- Ikke press hardt på startbryteren uten å trykke på AV-sperrehendelen. Dette kan få bryteren til å brekke.

For å unngå at startbryteren trykkes inn ved en feiltakelse, er maskinen utstyrt med en AV-sperrehendel. For å starte maskinen må du trykke på AV-sperrehendelen og trykke

på startbryteren. Slipp startbryteren for å stoppe maskinen.

### ADVARSEL:

- Av hensyn til din sikkerhet er denne maskinen utstyrt med en AV-sperrehendel som forhindrer utilsiktet start av maskinen. Maskinen må ALDRI brukes hvis den begynner å gå bare du trykker på startbryteren, uten at du må trykke på AV-sperrehendelen også. Returner maskinen til et MAKITA-servicesenter for å få den reparert FØR videre bruk.
- AV-sperrehendelen må ALDRI holdes inne med tape, og den må ALDRI settes ut av funksjon.

## Tenne lampen

### FORSIKTIG:

- Ikke se inn i lyset eller se direkte på lyskilden.

Hvis du bare vil tenne lyset, må du trykke inn startbryteren uten å trykke inn AV-sperrehendelen. For å tenne lyset og slå på verktøyet må du trykke inn AV-sperrehendelen og holde denne inne mens du trykker på startbryteren.

### MERK:

- Bruk en tørr klut til å tørke støv osv. av lampelinsen. Vær forsiktig så det ikke blir riper i lampelinsen, da dette kan redusere lysstyrken.
- Bruk aldri bensin, tynner e.l. til å rengjøre linsen på lampen. Bruk av slike stoffer vil ødelegge linsen.

# MONTERING

### FORSIKTIG:

- Forviss deg alltid om at maskinen er slått av og batteriet tatt ut før du utfører noe arbeid på maskinen.

## Ta av eller monterer sagbladet

### FORSIKTIG:

- Sørg for at bladet monteres med tennene pekende opp ved forsiden av verktøyet.
- Bruk bare Makita-nøkkelen til å montere eller fjerne bladet.

For å ta av bladet må du trykke på spindellåsen så bladet ikke kan rotere, og bruke nøkkelen til å løsne sekskantskruen med klokken. Fjern så sekskantskruen, den ytre flensen og bladet. (Fig. 14)

Monter bladet ved å følge fremgangsmåten for demontering i motsatt rekkefølge. PASS PÅ Å STRAMME SEKSKANTSKRUEEN FORSVARLIG MOT KLOKKEN.

Når du skifter blad må du sørge for også å fjerne oppsamlet sagflis fra øvre og nedre bladvern. Du må imidlertid fortsatt kontrollere at nedre bladvern virker før hver gangs bruk. (Fig. 15)

## Oppbevaring av sekskantnøkkelen (Fig. 16)

Når sekskantnøkkelen ikke er i bruk, må du oppbevare den som vist på figuren for ikke å miste den.

## Koble til en støvsuger (Fig. 17 og 18)

Hvis du vil sage så rent som mulig, kan du koble en Makita-støvsuger til verktøyet ditt. Monter støvutløpet på verktøyet ved hjelp av skruen. Koble deretter støvsugerslangen til støvutløpet som vist på figuren.

## BRUK (Fig. 19)

### FORSIKTIG:

- Batteriet må alltid settes helt inn, til det låses på plass. Hvis du kan se den røde delen på oversiden av knappen, er det ikke gått skikkelig i lås. Sett batteriet helt inn, så langt at den røde delen ikke lenger er synlig. Hvis dette ikke gjøres, kan batteriet komme til å falle ut av verktøyet og skade deg eller andre som oppholder seg i nærheten.
- Sørg for å bevege verktøyet pent fremover i en rett linje. Hvis du bruker makt på eller bønder på verktøyet, vil motoren bli overopphetet og maskinen slå tilbake mot operatøren, noe som er farlig og kan gi alvorlige helseskader.
- Hvis verktøyet brukes kontinuerlig inntil batteriet er utladet, må du la verktøyet hvile i 15 minutter før du fortsetter med et nytt batteri.

Hold verktøyet godt fast. Verktøyet leveres både med fremre og bakre håndtak.

Bruk begge for å få best mulig tak på verktøyet. Hvis du holder sagen med begge hendene, risikerer du ikke at de blir skåret av bladet. Sett foten på det arbeidsemnet som skal kappes, uten at bladet kommer borti arbeidsemnet. Slå så på maskinen, og vent til bladet oppnår full hastighet. Beveg verktøyet forover over overflaten av arbeidsemnet, mens du holder det flatt og beveger det jevnt fremover inntil sagingen er fullført.

For å få rene kutt må du sage i rett linje og med jevn hastighet. Hvis kuttet ikke følger skjærelinjen din helt som du ville, må du ikke forsøke å dreie eller tvinge verktøyet tilbake til skjærelinjen. Hvis du gjør det, kan bladet sette seg fast og gi farlig tilbakeslag og risiko for alvorlige helseskader. Slipp bryteren, vent til bladet stopper og trekk ut verktøyet. Still inn verktøyet på en ny skjærelinje og begynn sagingen på nytt. Forsøk å unngå en plassering som utsetter operatøren for en sprut av flis og sagmugg fra sagen. Bruk øyevern for å redusere risikoen for skader.

## Parallellanlegg (føringslinjal) (Fig. 20)

Det praktiske parallellanlegget gjør det mulig å foreta ekstra nøyaktige rette kutt. Skyv ganske enkelt parallellanlegget tett opp til siden av arbeidsemnet og fest det med skruen foran på foten. Med parallellanlegget kan du dessuten skjære gjentatte ganger med samme bredde.

## VEDLIKEHOLD

### FORSIKTIG:

- Forviss deg alltid om at maskinen er slått av og batteriet tatt ut før du foretar inspeksjon eller vedlikehold.

## Justere nøyaktigheten av 90° og 45° saging (vertikal og 45° saging) (Fig. 21 og 22)

Denne justeringen er gjort på fabrikken. Men skulle den bli unøyaktig, justeres justeringsskrueene med en sekskantnøkkel mens du bruker en trekantlinjal eller et vinkeljern til å kontrollere at bladet står i 90° eller 45° vinkel på foten.

## Skifte kullbørster

Fjern og kontroller kullbørstene med jevne mellomrom. Skift dem når de er slitt ned til utskiftingsmerket. Hold kullbørstene rene og fri til å bevege seg i holderne. Begge kullbørstene må skiftes samtidig. Bruk bare identiske kullbørster. (Fig. 23)

Bruk en skrutrekker til å fjerne børsteholderhettene. Ta ut de slitte kullbørstene, sett i nye, og fest børsteholderhettene. (Fig. 24)

For å opprettholde produktets SIKKERHET og PÅLITELIGHET, må reparasjoner, vedlikehold og justeringer utføres av Makitas autoriserte servicesentre, og det må alltid brukes reservedeler fra Makita.

## TILBEHØR

### FORSIKTIG:

- Det anbefales at du bruker dette tilbehøret eller verktøyet sammen med det Makita-verktøyet som er spesifisert i denne håndboken. Bruk av annet tilbehør eller verktøy kan forårsake helseskader. Tilbehør og verktøy må kun brukes til det formålet det er beregnet på.

Ta kontakt med ditt lokale Makita-servicesenter hvis du trenger mer informasjon om dette tilbehøret.

- Sagblad
- Parallellanlegg (føringslinjal)
- Sekskantnøkkel 5
- Ulike typer ekte batterier og ladere fra Makita.
- Støvtutløp

Yleisnäkymän selitykset

1. Punainen osa	11. Kuusioavain	21. Etukahva
2. Painike	12. Sisälaippa	22. Kiristysruuvi
3. Akku	13. Sahanterä	23. Halkaisuohjain (sivuohjain)
4. Vipu	14. Ulkolaippa	24. 45° säätöruuvi
5. Rajoitin	15. Kuusioruuvi	25. 90° säätöruuvi
6. Alusta	16. Pölysuutin (lisävaruste)	26. Kolmikulma
7. Sahauslinja	17. Ruuvi	27. Rajamerkki
8. Liipaisinkytkin	18. Letku	28. Hiiliharjan pidikkeen kupu
9. Lukitusvipu	19. Pölynimuri	29. Ruuvitaltta
10. Karalukitus	20. Takakahva	

## TEKNISET TIEDOT

Malli	BSS610	
Terän halkaisija	165 mm	
Suurin leikkaussyvyys	90o kulma	57 mm
	45o kulma	40 mm
	50o kulma	36 mm
Joutokäyntinopeus (min. <sup>-1</sup> )	3.700	
Kokonaispituus	347 mm	
Nettopaino	3,2 kg	
Käyttöjännite	18 V DC	

- Jatkuvan tutkimus- ja kehitysohjelman vuoksi pidätämme oikeuden muuttaa tässä mainittuja teknisiä ominaisuuksia ilman ennakoilmoitusta.
- Huomautus: Tekniset ominaisuudet saattavat vaihdella eri maissa.

**Käyttötarkoitus**

Pyörösaha on tarkoitettu puun pitkittäis-, poikittäis- ja jiirisahaukseen siten, että saha on koko ajan välittömässä kosketuksessa työkappaleeseen.

**LISÄTURVAOHJEITA**

**ÄLÄ anna tuotteen helppokäyttöisyyden tai toistuvan käytön tuudittaa sinua väärään turvallisuuden tunteeseen niin, että laiminlyöt sahausohjeiden noudattamisen. Jos sahaa käytetään varomattomasti tai väärin, seurauksena voi olla vakava henkilövahinko.**

**VAARA:**

- 1. Pidä kädet loitolla sahauslinjalta ja terästä. Pidä sahauksen aikana apukädellä lisäkavasta tai moottorin kotelosta.** Jos pidät sahasta molemmin käsin, et voi loukata käsiä terään.
- 2. Älä kurota työkappaleen alapuolelle.** Teränsuojus ei ulotu työkappaleen alapuolelle. Älä yritä irrottaa sahattua kappaletta terän vielä pyöriessä.  
HUOMAUTUS: Terä pyörii vielä jonkin aikaa sen jälkeen, kun saha on sammutettu. Odota, kunnes terä pysähtyy, ennen kuin tartut sahattuun kappaleeseen.
- 3. Säädä leikkaussyvyys sahattavan työkappaleen paksuuden mukaan.** Alle puolet terän hampaan pituudesta saa näkyä työkappaleen alapuolelta.
- 4. Älä koskaan pidä sahattavaa kappaletta käsissä tai polvilla. Kiinnitä työkappale tukevaan alustaan.** Työkappale on tuettava kunnolla loukkaantumisriskin, terän juuttumisen ja sahan hallinnan menettämisen estämiseksi.

Oikea työskentelyote ja työkappaleen tuenta on esitetty kuvassa. **(kuva 1)**

5. **Pidä sähkötyökäluä sen eristetyistä tartuntapinoista, jos terä voi sahatessa osua piilossa oleviin johtoihin tai koneen omaan virtajohtoon.** Osuminen jännitteiseen johtoon saa paljaat metalliosat jännitteisiksi ja aiheuttaa käyttäjälle sähköiskun.

6. **Käytä halkaisussa aina halkaisu- tai sivuohjainta.** Se parantaa sahaustarkkuutta ja vähentää terän takertelua.

7. **Käytä aina sopivia teriä (timantti- tai pyöröteri).** Älä käytä teriä, joiden reiät ovat vääränkokoiset. Jos terä ei ole yhteensopiva sahan kiinnitysmekanismin kanssa, saha pyörii epäkeskoisesti, mikä joi johtaa hallinnan menetykseen.

8. **Älä koskaan käytä viallisia tai vääriä terän aluslevyjä tai ruuveja.** Terän aluslevyt ja ruuvi on nimenomaan suunniteltu kyseiseen sahaan, mikä takaa sahan optimaalisen toiminnan ja turvallisen käytön.

9. **Takapotkun syitä ja niiden ehkäiseminen:**

- Takapotkun aiheuttaa kiinni juuttunut, vääntynyt tai väärin kohdistettu terä, joka saa sahan hypähtämään irti työkappaleesta kohti käyttäjää.
- Jos terä jumittuu tiukkaan sahausuraan, terä pysähtyy ja moottori suojaus kääntää sen pyörimään taaksepäin kohti käyttäjää.
- Jos terä vääntyy tai sen kohdistus muuttuu sahatessa, terän takaosan hampaat voivat pureutua puun pintakerrokseen, jolloin terä nousee ylös urasta ja saha ponnahtaa käyttäjään kohti.

Takapotku johtuu sahan virheellisestä käytöstä tai epäedullisista käyttöolosuhteista. Takapotku voidaan välttää noudattamalla seuraavia varoituksia.

- **Ota sahaista tukeva ete molemmin käsin ja pidä käsiä sellaisessa asennossa, että voit ottaa vastaan mahdollisen takapotkun aiheuttamat voimat.** Asetu terän jommallekummalle puolelle, älä suoraan terän taakse. Takapotku voi saada sahan ponnahtamaan kohti käyttäjää, joka voi kuitenkin hallita näitä voimia, jos on varautunut tähän asianmukaisesti. Oikea työskentelyote ja työkappaleen tuenta on esitetty kuvassa.
- **Jos terä jumittaa tai jos keskeytät sahaamisen jostakin muusta syystä, vapauta liipaisinkytkin ja pidä saha paikoillaan työkappaleessa, kunnes terä on täysin pysähtynyt. Älä koskaan yritä irrottaa sahaa työkappaleesta tai vedä sahaa taaksepäin terän vielä pyöriessä tai seurauksena voi olla takapotku.** Selvitä terän juuttumisen syy ja tee tarvittavat korjaukset.
- **Kun jatkat saman työkappaleen sahaamista, aseta saha uran keskelle ja varmista, että terän hampaat eivät ole kiinni sahattavassa työkappaleessa.** Jos terä jumittaa, se voi nousta ylös ja ponnahtaa irti työkappaleesta, kun saha käynnistetään uudelleen.
- **Minimoi terän juuttumis- ja takapotkuriski tukemalle suurikokoiset levyt kunnolla.** Suuret levyt pyrkivät taipumaan omasta painostaan. Levy on tuettava molemmilta puolilta sekä sahauslinjan vierestä että reunoilta.

Terän juuttumis- ja takapotkuriskin minimoiminen: Jos sahaus on tehtävä niin, että saha lepää työkappaleen päällä, saha on tuettava suurempaan kappaleeseen ja pienempi osa sahattava irti.

Tue levy sahauslinjan vierestä takapotkun välttämiseksi. (kuva 2)

Älä aseta tukia kauas sahauslinjasta. (kuva 3)

- **Älä käytä tylsiä tai vahingoittuneita teriä.** Teroitamattomat tai väärin kiinnitetty terät kaventavat sahausuraa, jolloin seurauksena on kasvanut kitka, terän jumittaminen ja takapotku. Pidä terät terävinä ja puhtaina. Terään kovettunut pinna hidastaa sahaamista ja lisää takapotkun vaaraa. Pidä terä puhtaana irrottamalla se sahasta ja puhdistamalla pihkanpoistoaineella, kuumalla vedellä tai petrolilla. Älä käytä koskaan puhdistukseen bensiiniä.
- **Ennen kuin aloitat sahausken, varmista, että terän syvyys- ja viistosäätojen vivut ovat tiukasti kiinni.** Jos terän säädöt muuttuvat sahausken aikana, seurauksena voi olla jumittaminen tai takapotku.
- **Ole erityisen varovainen, kun sahaat olemassa olevia seinä tai muita umpinaisia rakenteita.** Ulkoneva terä voi osua kohteisiin, jotka aiheuttavat takapotkun. Sahausta varten nosta alasuojus sisään vedettävästä kahvasta.
- **PIDÄ AINA sahaista tukevasti molemmin käsin. ÄLÄ koskaan pidä kättä tai sormia sahan takana.** Jos saha potkaisee taakse, se voi helposti hypähtää kädelle tai sormille ja aiheuttaa vakavia vammoja.
- **Älä koskaan pakota sahaa. Pakottaminen johtaa epätasaiseen sahausjälkeen ja epätarkkuuteen ja voi aiheuttaa takapotkun.** Työnnä sahaa eteenpäin sellaisella nopeudella, että terä leikkaa hidastumatta. (kuva 4)

10. **Varmista alasuojuksen sulkeutuminen ennen jokaista käyttökertaa. Älä käytä sahaa, jos alasuojus ei liiku vapaasti ja sulkeudu heti. Älä koskaan kiristä tai sido alasuojusta auki-asentoon.** Jos saha vahingossa putoaa, alasuojus voi vääntyä. Nosta alasuojusta sisään vedettävästä kahvasta ja varmista, että suojus liikkuu vapaasti eikä kosketa terää tai muita osia missään sahauskulmassa tai -syvyydessä.

Voit tarkistaa alasuojuksen avaamalla sen käsin ja sitten vapauttamalla seuraten samalla, miten se sulkeutuu. Varmista myös, että sisään vedettävä kahva ei ota sahan koteloon. Terän jättäminen ilman suojusta on ERITTÄIN VAARALLISTA ja voi aiheuttaa vakavia vammoja.

11. **Tarkista alasuojuksen jousen toiminta. Jos suojusta ja jousi eivät toimi moitteettomasti, ne on huollettava ennen käyttöä.** Vaurioituneet osat, pihkakerrostumat tai lika voivat saada alasuojuksen liikkumaan jähmeästi.

12. **Alasuojuksen saa vetää taakse käsin vain silloin, kun sahaatan umpinaisia pintoja.** Nosta alasuojus sisään vedettävästä kahvasta ja vapauta se heti, kun terä appoo sahattavaan kohteeseen. Kaikessa muussa sahauskessa alasuojuksen pitää



antaa toimia automaattisesti. Tue levy sahauslinjan vierestä takapotkun välttämiseksi. Älä aseta tukia kauas sahauslinjasta.

13. Ennen kuin lasket sahan höyläpenkille tai lattialle, varmista aina, että alasuojus peittää terän. Jos terä jää pyörimään ilman alasuojusta, saha alkaa liikkua takaperin ja leikkaa kaikkea sen tielle osuvaa. Ota huomioon se aika, jonka terän pysähtyminen sahan sammuttamisen jälkeen vaatii. Ennen kuin lasket sahan käsistäsi, varmista, että alasuojus on sulkeutunut ja terä on täysin pysähtynyt.
14. Ole erityisen varovainen, kun sahaat kosteaa, painekyllästettyä tai oksaista puuta. Sovita sahausksen nopeus niin, että saha etenee tasaisesti ilman, että pyörimisnopeus hidastuu.
15. Varo nauloja sahatessa. Tarkista sahattava työkappale ja poista mahdolliset naulat ennen sahausta.
16. Aseta sahan alustan leveämpi puoli työkappaleen tuetun osan päälle, älä sen osan päälle, joka irtoaa sahattaessa. OIKEA tapa sahata kappale laudan päästä on esitetty kuvassa 5 ja VÄÄRÄ tapa kuvassa 6. Jos työkappale on lyhyt tai pieni, kiinnitä se ruuvipenkkiin. ÄLÄ YRITÄ PITÄÄ LYHYTTÄ TYÖKAPPALETTA PAIKOILLAAN KÄSIN!
17. Älä koskaan sahaa pyörösahalla siten, että se on kiinnitetty ruuvipenkkiin ylösalaisin. Tämä on erittäin vaarallista ja voi aiheuttaa vakavia vammoja. (kuva 7)
18. Eräät materiaalit sisältävät kemikaaleja, jotka voivat olla myrkyllisiä. Huolehdi siitä, että pölyn sisäänhengittäminen ja ihokosketus estetään. Noudata materiaalin toimittajan turvaohjeita.
19. Älä pysäytä sahanterää painamalla sitä sivulle.
20. Käytä vain tässä ohjeessa suositeltuja teriä. Älä käytä sahasa minkäänlaista hiomalaikkaa.
21. Käytä sahatessa hengitys- ja kuulosuojaimia.

## SÄILYTÄ NÄMÄ OHJEET

### VAROITUS:

**VÄÄRINKÄYTTÖ** tai tässä käyttöohjeessa ilmoitettujen turvamääräysten laiminlyönti voi aiheuttaa vakavia henkilövahinkoja.

## AKKUA KOSKEVIA TÄRKEITÄ TURVAOHJEITA

1. Ennen akun käyttöönottoa tutustu kaikkiin laturissa (1), akussa (2) ja akkukäyttöisessä tuotteessa (3) oleviin varoitusteksteihin.
2. Älä pura akkua.
3. Jos akun toiminta-aika lyhenee merkittävästi, lopeta akun käyttö. Seurauksena voi olla ylikuumeneminen, palovammoja tai jopa räjähdys.
4. Jos akkuneustettä pääsee silmiin, huuhtele puhtaalla vedellä ja hakeudu välittömästi lääkärin hoitoon. Akkuneuste voi aiheuttaa sokeutumisen.
5. Älä saata akkua oikosulkuun.

1. Älä koske akun napoihin millään sähköä johtavalla materiaalilla.
2. Älä säilytä akkua yhdessä muiden metallisineiden, kuten naulojen, kolikoiden yms. kanssa.
3. Älä aseta akkua alttiiksi vedelle tai sateelle. Akun oikosulku voi aiheuttaa voimakkaan sähkövirran, palovammoja ja jopa laitteen rikkoutumisen.
6. Älä säilytä työkalua ja akkua paikassa, jossa lämpötila voi nousta 50°C:een tai sitäkin korkeammaksi.
7. Älä hävitä akkua polttamalla, vaikka se olisi pahoin vaurioitunut tai täysin loppuun kulunut. Avotuli voi saada akun räjähtämään.
8. Varo kolhimasta tai pudottamasta akkua.

## SÄILYTÄ NÄMÄ OHJEET

### Vinkkejä akun käyttöiän pidentämiseksi

1. Lataa akku ennen kuin se ehtii purkautua kokonaan. Lopeta työkalun käyttö ja lataa akku aina, kun huomaat tehon heikkenevän.
2. Älä koskaan lataa täynnä olevaa akkua. Ylilataus lyhentää akun käyttöikä.
3. Lataa akku huoneenlämmössä 10 - 40°C. Anna kuumen akku jäähtyä ennen latausta.

## TOIMINTAKUVAUS

### HUOMAUTUS:

- Varmista aina ennen säätöjä ja tarkastuksia, että työkalu on sammutettu ja akku irrotettu.

### Akun kiinnitys ja irrotus (kuva 8)

- Katkaise työkalusta aina virta ennen akun kiinnitystä tai irrotusta.
- Irrota akku vetämällä samalla, kun työnnät kasetin sivussa olevaa painiketta.
- Kiinnitä akku sovitamalla akkukasetin kieleke vaipan uraan ja työnnä paikoilleen. Työnnä akku aina pohjaan asti niin, että kuulet sen napsahdavan paikoilleen. Jos painikkeen yläpuolella näkyy yhtään punaista, akku ei ole lukkiutunut täysin paikoilleen. Työnnä se pohjaan asti, niin että punaista ei enää näy. Jos akku ei ole kunnolla paikoillaan, se voi pudota työkalusta ja aiheuttaa vammoja joko sinulle tai sivullisille.
- Älä käytä voimaa, kun kiinnität akkua paikoilleen. Jos akku ei mene paikoilleen helposti, se on väärässä asennossa.

### Sahaussyvyyden säätö (kuva 9)

### HUOMAUTUS:

- Kiristä syvyystukki aina sahaussyvyyden säätämisen jälkeen.

Löysää takakahvan sivussa olevaa tulkkia ja siirrä alustan ylös- tai alaspäin. Kun olet säätänyt sahaussyvyyden sopivaksi, lukitse alusta kiristämällä tulkki.

Aseta syvyys niin, että vain yksi terän hammas ulottuu työkappaleen alapinnan ulkopuolelle, jolloin sahausjäljestä tulee siisti ja itse sahaus on turvallisempaa. Oikea sahausryvyys vähentää vammautumisiriskin aiheuttavan TAKAPOTKUN vaaraa.

## Viistesahaus (kuva 10 & 11)

Löysää alustan etuosassa olevan asteikkolevyn vipua. Aseta haluttu kulma (0 - 50°) kääntämällä ja kiristä vipu. Jos haluat sahata täsmälleen 45° asteen viisteitä, käytä 45° rajoitinta. Käännä rajoitin äärimmilleen vastapäivään, kun haluat tehdä 0 - 45° asteen viistosahauksia ja myötäpäivään, kun haluat sahata viisteitä asteikolla 0 - 50°.

## Suuntaaminen (kuva 12)

Kun haluat sahata suoraan, kohdista alustan piste A sahauslinjaan. Kun haluat tehdä 45° viistosahausta, kohdista piste B sahauslinjaan.

## Kytkimen toiminta (kuva 13)

### HUOMAUTUS:

- Tarkista aina ennen akun kiinnittämistä sahaan, että liipaisinkytkin kytketty oikein ja palaa OFF-asentoon, kun se vapautetaan.
- Älä paina liipaisinkytkintä kovaa painamatta samaan aikaan lukitusvipua. Kytkin voi rikkoutua.

Laitteessa on lukitusvipu, joka estää liipaisinkytkimen painamisen vahingossa. Käynnistä työkalu painamalla ensin lukitusvipua ja sitten liipaisinkytkintä. Kone pysäytetään vapauttamalla liipaisinkytkin.

### VAROITUS:

- Käyttäjän turvallisuuden vuoksi sahassa on lukitusvipu, joka estää sahan käynnistämisen vahingossa. ÄLÄ koskaan käytä työkalua, jos se käynnistyy pelkästä liipaisinkytkimestä niin, että lukitusvipua ei tarvitse painaa. Toiminta saha MAKITA-huoltoon korjattavaksi ennen käytön jatkamista.
- ÄLÄ koskaan teippaa tai ohita lukitusvipua.

## Lampun syyttäminen

### HUOMAUTUS:

- Älä katso suoraan lamppuun tai valonlähteeseen.

Paina liipaisinkytkintä ilman, että painat lukitusvipua, vain silloin, kun haluat syyttää lampun. Lamppu syytetään ja saha käynnistetään painamalla lukitusvipua ja liipaisinkytkintä samaan aikaan.

### HUOMAUTUS:

- Pyyhi lika pois lampun linssistä kuivalla liinalla. Älä naarmuta lampun linssiä, ettei valoteho laske.
- Älä käytä bensiniä, tinneriä tai vastaavaa lampun puhdistukseen. Nämä aineet voivat vahingoittaa linssiä.

## KOKOONPANO

### HUOMAUTUS:

- Varmista aina ennen mitään sahalle tehtäviä toimenpiteitä, että työkalu on sammutettu ja akku irrotettu.

## Sahanterän irrotus ja kiinnitys

### HUOMAUTUS:

- Varmista, että terä on asennettu siten, että hampaat sahan etuosassa osoittavat ylöspäin.
- Käytän terän irrottamiseen ja kiinnittämiseen vain Makitan kuusioavainta.

Terä irrotetaan painamalla karalukitusta niin, että terä ei pääse pyörimään ja löysäämällä sitten kuusioruuvia kiertämällä vastapäivään kuusioavaimella. Irrota sitten kuusioruuvi, ulkoloippa ja terä. **(kuva 14)**

Terä kiinnitetään päinvastaisessa järjestyksessä. MUISTA KIRISTÄÄ KUUSIORUUVI TIUKASTI.

Teränvaihdon yhteydessä muista puhdistaa ylä- ja alasuojus niihin kertyneestä sahanpurusta. Näistä toimenpiteistä huolimatta tarkista aina alasuojuksen toiminta ennen jokaista käyttökertaa. **(kuva 15)**

## Kuusioavaimen säilytys (kuva 16)

Säilytä kuusioavainta kuvan osoittamassa paikassa, ettei se pääse katoamaan.

## Pölynimurin liitäntä (kuva 17 & 18)

Jos haluat tehdä sahaustyön siististi, kytkte sahaan Makita-pölynimuri. Asenna pölysuutin työkaluun käyttäen ruuvia. Kytke sitten pölynimurin letku pölysuuttimeen kuvan mukaisesti.

## KÄYTTÖ (kuva 19)

### HUOMAUTUS:

- Työnnä akku pohjaan asti, niin että se napsahtaa paikoilleen. Jos painikkeen yläpuolella näkyy yhtään punaista, akku ei ole lukkiutunut täysin paikoilleen. Työnnä se pohjaan asti, niin että punaista ei enää näy. Jos akku ei ole kunnolla paikoillaan, se voi pudota työkalusta ja aiheuttaa vammoja joko sinulle tai sivullisille.
- Työnnä sahaa kevyesti suoraan eteenpäin. Sahan pakottaminen tai vääntäminen johtaa moottorin ylikuumentumiseen ja voi aiheuttaa vaarallisen takapotkun ja vakavia vammoja.
- Jos sahaa käytetään jatkuvasti niin pitkään, että akku tyhjenee, anna sahan seistä 15 minuuttia ennen kuin jatkat työskentelyä uudella akulla.

Ota sahasta tukeva ote. Laitteessa on sekä etu- että takakahva.

Tartu sahaan molemmista. Jos pidät sahasta molemmin käsin, et voi loukata käsiä terään. Aseta sahan alusta sahattavan työkappaleen päälle ilman, että terä ottaa työkappaleeseen. Käynnistä sitten saha ja odota, kunnes terä pyörii täydellä nopeudella. Ala nyt työntää sahaa työkappaleen pinnalla tasaisesti eteenpäin siten, että alusta lepää suorassa työkappaleen päällä.

Siistin sahausjäljen saat, kun etenet suoraan linjaa tasaista vauhtia. Jos sahaus menee vinoon, älä yritä vääntää tai pakottaa sahaa oikeaan linjaan. Terä voi vääntyä ja aiheuttaa vaarallisen takapotkun ja mahdollisesti vammoja. Vapauta liipaisinkytkin, odota, kunnes terä pysähtyy ja nosta sen jälkeen saha urasta. Suuntaa saha uuden sahauslinjan mukaan ja aloita uudelleen. Yritä asettua sellaiseen kohtaan, jossa et joudu alltiiksi sahasta

lentävälle purulle ja lastuille. Käytä vammojen välttämiseksi suojalaseja.

## Halkaisuohjain (ohjaustulkki) (kuva 20)

Kätevän halkaisuohjaimen (ohjaustulkin) avulla voit sahata erityisen suoraan. Siirrä ohjaustulkki tiukasti kiinni työkappaleen reunaan ja kiristä se paikoilleen alustan etuosassa olevalla ruuvilla. Näin voit myös sahata useita saman levyisiä kappaleita.

## HUOLTO

### HUOMAUTUS:

- Varmista aina ennen tarkastusta tai huoltoa, että saha on sammutettu ja akku irrotettu.

## Tarkkuussäätö 90° ja 45° (suora ja 45° viiste) (kuva 21 & 22)

Kulmat on säädetty tehtaalla. Jos säädöt muuttuvat, säädä kulmat säätöruuveilla käyttäen kuusioavainta ja tarkastamalla 90 ja 45 asteen kulmat kolmiolla, suorakulmalla tms.

## Hiiliharjojen vaihtaminen

Irrota ja tarkasta hiiliharjat säännöllisesti. Vaihda harjat, kun ne ovat kuluneet merkkiviivaan asti. Pidä hiiliharjat puhtaina ja varmista, että ne pääsevät liukumaan vapaasti pidikkeissään. Molemmat hiiliharjat on vaihdettava yhtä aikaa. Käytä vain identtisiä hiiliharjoja. **(kuva 23)**

Irrota harjanpidikkeiden kuvut ruuvitaltalla. Irrota kuluneet hiiliharjat, asenna uudet, ja kiinnitä pidikkeiden kuvut.

### **(kuva 24)**

Tuotteen TURVALLISUUDEN ja LUOTETTAVUUDEN takaamiseksi korjaukset, muut huoltotyöt ja säädöt on teetettävä Makitan valtuutetussa huoltopisteessä Makitan varaosia käyttäen.

## LISÄVARUSTEET

### HUOMAUTUS:

- Seuraavia lisävarusteita tai -laitteita suositellaan käytettäväksi tässä ohjeessa kuvatun Makita-työkalun kanssa. Muiden lisävarusteiden tai -laitteiden käyttö voi aiheuttaa vammautumisriskin. Käytä lisävarustetta tai -laitetta vain ilmoitettuun käyttötarkoitukseen.

Jos tarvittavat lisätiedot näistä lisävarusteista, ota yhteys paikalliseen Makita-huoltopisteeseen.

- Sahanterät
- Halkaisuohjain (ohjaustulkki)
- Kuusioavain 5
- Erilaisia alkuperäisiä Makita-akkuja ja latureita
- Pölysuutin

## ΕΛΛΗΝΙΚΑ

### Περιγραφή γενικής όψης

- |                       |                              |                                       |
|-----------------------|------------------------------|---------------------------------------|
| 1. Κόκκινο τμήμα      | 11. Εξαγωνικό άλεν           | 21. Μπροστινή λαβή                    |
| 2. Κουμπί             | 12. Εσωτερική φλάντζα        | 22. Βίδα σύσφιξης                     |
| 3. Μπαταρία           | 13. Δίσκος                   | 23. Οδηγός κομματιού (Οδηγός χάρακας) |
| 4. Μοχλός             | 14. Εξωτερική φλάντζα        | 24. Βίδα ρύθμισης για 45°             |
| 5. Στοπ               | 15. Εξαγωνικό μπουλόνι       | 25. Βίδα ρύθμισης για 90°             |
| 6. Βάση               | 16. Στόμιο σκόνης (αξεσουάρ) | 26. Γεωμετρικό τρίγωνο                |
| 7. Γραμμή κοπής       | 17. Βίδα                     | 27. Ένδειξη ορίου                     |
| 8. Σκανδάλη-διακόπτης | 18. Εύκαμπτος σωλήνας        | 28. Καπάκι υποδοχέα για το καρβουνάκι |
| 9. Μοχλός ασφάλισης   | 19. Ηλεκτρική σκούπα         | 29. Κατσαβίδι                         |
| 10. Κλειδωμα άξονα    | 20. Πίσω λαβή                |                                       |

## ΤΕΧΝΙΚΑ ΧΑΡΑΚΤΗΡΙΣΤΙΚΑ

Μοντέλο	BSS610	
Διάμετρος δίσκου	165 mm	
Μέγιστο βάθος κοπής	στις 90°	57 mm
	στις 45°	40 mm
	στις 50°	36 mm
Ταχύτητα χωρίς φορτίο (min <sup>-1</sup> )	3.700	
Ολικό μήκος	347 mm	
Καθαρό βάρος	3,2 kg	
Ονομαστική τάση	D.C. 18V	

- Λόγω του συνεχόμενου προγράμματος που εφαρμόζουμε για έρευνα και ανάπτυξη, τα τεχνικά χαρακτηριστικά στο παρόν έντυπο υπόκεινται σε αλλαγή χωρίς προειδοποίηση.
- Παρατήρηση: Τα τεχνικά χαρακτηριστικά μπορεί να διαφέρουν από χώρα σε χώρα.

### Προοριζόμενη χρήση

Το εργαλείο προορίζεται για την εκτέλεση ευθειών κοπών κατά μήκος και κατά πλάτος και λοξών κοπών με κλίση σε ξύλο, ενώ βρίσκεται σε σταθερή επαφή με το τεμάχιο εργασίας.

## ΕΙΔΙΚΟΙ ΚΑΝΟΝΕΣ ΑΣΦΑΛΕΙΑΣ

**ΜΗΝ επιτρέψετε στη βολικότητα ή στην εξοικειώσή σας με το προϊόν (που αποκτήθηκε από επανειλημμένη χρήση) να αντικαταστήσει την αυστηρή προσήλωση στους κανόνες ασφάλειας του δισκοπριονίου. Αν χρησιμοποιήσετε το εργαλείο αυτό με ανασφαλές ή λανθασμένο τρόπο, μπορεί να υποστείτε σοβαρό προσωπικό τραυματισμό.**

### ΚΙΝΔΥΝΟΣ:

1. **Να κρατάτε τα χέρια σας μακριά από την περιοχή κοπής και το δίσκο. Να κρατάτε με το άλλο σας χέρι τη βοηθητική λαβή ή το περίβλημα του μοτέρ.** Αν κρατάτε το δισκοπρίονο και με τα δύο χέρια, δεν είναι δυνατό να κοπούν από το δίσκο.
2. **Μην πιάνετε από κάτω το τεμάχιο εργασίας.** Το προστατευτικό δεν σας παρέχει προστασία από το δίσκο κάτω από το τεμάχιο εργασίας. Μην επιχειρήσετε να μετακινήσετε το υλικό κοπής ενώ ο δίσκος κινείται.  
ΠΡΟΣΟΧΗ: Ο δίσκος περιστρέφεται ελεύθερα μετά το σβήσιμο. Περιμένετε μέχρι να ακινητοποιηθεί πριν πιάσετε το υλικό κοπής.
3. **Ρυθμίστε το βάθος κοπής ανάλογα με το πάχος του τεμαχίου εργασίας.** Δεν θα πρέπει να είναι ορατά ολόκληρα τα δόντια του δίσκου κάτω από το τεμάχιο εργασίας.
4. **Μην κρατάτε ποτέ το τεμάχιο εργασίας στα χέρια σας και μην το τοποθετείτε επάνω στο πόδι σας. Ασφαλίστε το τεμάχιο εργασίας σε μια σταθερή βάση.** Είναι σημαντικό να στηρίζετε το τεμάχιο

σωστά για να ελαχιστοποιείται η έκθεση του σώματος, η πιθανότητα εμπόδισής της κίνησης του δίσκου από κάποιο αντικείμενο και η απώλεια ελέγχου.

Απεικόνιση της σωστής στήριξης με το χέρι και στήριξη του κομματιού εργασίας. (Εικ. 1)

5. **Να κρατάτε το ηλεκτρικό εργαλείο από τις λαβές με μόνωση όταν εκτελείτε εργασίες κατά τις οποίες το κοπτικό εργαλείο μπορεί να έρθει σε επαφή με κρυμμένα καλώδια ή με το ίδιο του το καλώδιο.** Αν το εργαλείο έρθει σε επαφή με κάποιο ηλεκτροφόρο καλώδιο, τα εκτεθειμένα μεταλλικά μέρη του ηλεκτρικού εργαλείου θα γίνουν κι αυτά ηλεκτροφόρα και θα προκληθεί ηλεκτροπληξία στο χειριστή.
6. **Όταν τεμαχίζετε, να χρησιμοποιείτε πάντα οδηγό κομματιού ή άλλο οδηγό με ευθύγραμμη ακμή.** Έτσι, βελτιώνεται η ακρίβεια κοπής και μειώνεται η πιθανότητα να εμποδιστεί η κίνηση του δίσκου.
7. **Να χρησιμοποιείτε πάντα δίσκους με το σωστό μέγεθος και και το σωστό σχήμα (σχήμα διαμανθίου έναντι στρογγυλού σχήματος) οπών στερέωσης.** Οι δίσκοι που δεν ταιριάζουν με τον εξοπλισμό στερέωσης του πριονιού θα λειτουργούν ιδιόρρυθμα, προκαλώντας την απώλεια του ελέγχου.
8. **Μη χρησιμοποιείτε ποτέ στο δίσκο ροδέλες ή μπουλόνια που είναι κατεστραμμένα ή λανθασμένου μεγέθους.** Οι ροδέλες και τα μπουλόνια του δίσκου είναι ειδικά σχεδιασμένα για το δισκοπρίονο που διαθέτετε, ώστε να παρέχουν βέλτιστη απόδοση και ασφάλεια λειτουργίας.
9. **Αιτίες κλοστήματος και ενέργειες του χειριστή για την αποφυγή του:**

- Το κλότσημα είναι μια ξαφνική αντίδραση όταν ο δίσκος είναι αποκομμένος, πιασμένος ή ευθυγραμμισμένος λάθος, και προκαλεί την ανεξέλεγκτη ανύψωση του πριονιού έξω από το τεμάχιο εργασίας και προς τη μεριά του χειριστή.
- Όταν ο δίσκος είναι αποκομμένος ή πιασμένος σφίχτα από την εγκοπή, μπλοκάρει και η αντίδραση του μοτέρ οδηγεί το εργαλείο με ταχύτητα προς τη μεριά του χειριστή.
- Αν ο δίσκος παραμορφωθεί ή ευθυγραμμιστεί λάθος κατά το κόψιμο, τα δόντια στο πίσω μέρος του δίσκου μπορεί να σκάψουν μέσα στην επάνω επιφάνεια του ξύλου και έτσι ο δίσκος να βγει από την εγκοπή και να αναπηδήσει προς τη μεριά του χειριστή.

Το κλότσημα προκαλείται όταν το δισκοπρίονο χρησιμοποιείται λανθασμένα ή/και όταν οι διαδικασίες ή οι συνθήκες λειτουργίας είναι λανθασμένες. Μπορεί να αποφευχθεί αν ληφθούν οι κατάλληλες προφυλάξεις που αναφέρονται παρακάτω.

- **Να κρατάτε το δισκοπρίονο γερά και με τα δύο χέρια και να τοποθετείτε τους βραχιόνες σας με τρόπο ώστε να αντιστέκονται στη δύναμη του κλοστήματος. Να τοποθετείτε το σώμα σας πλευρικά του δίσκου, αλλά όχι στην ίδια ευθεία με το δίσκο.** Το κλότσημα μπορεί να προκαλέσει την αναπήδηση του δισκοπριονιού, αλλά ο χειριστής μπορεί να ελέγξει το κλότσημα αν λάβει τις κατάλληλες

προφυλάξεις. Απεικόνιση της σωστής στήριξης με το χέρι και στήριξη του κομματιού εργασίας.

- **Όταν εμποδίζεται η κίνηση του δίσκου ή όταν διακόπεται το κόψιμο για οποιοδήποτε λόγο, αφήστε τη σκανδάλη και κρατήστε ακίνητο το δισκοπρίονο μέσα στο υλικό έως ότου ακινητοποιηθεί ο δίσκος. Μη δοκιμάσετε ποτέ να βγάλετε το δισκοπρίονο από το κομμάτι εργασίας ούτε να το τραβήξετε προς τα πίσω όταν ο δίσκος κινείται, επειδή το εργαλείο μπορεί να κλοστήσει.** Διερευνήστε την αιτία που εμποδίζεται η κίνηση του δίσκου και λάβετε διορθωτικά μέτρα.
- **Όταν ξεκινάτε ξανά το πριόνισμα ενός τεμαχίου εργασίας, κεντράρετε το δίσκο στην εγκοπή και ελέγξτε ότι τα δόντια του δίσκου δεν έχουν πιαστεί μέσα στο υλικό.** Αν εμποδίζεται η κίνηση του δίσκου, το εργαλείο μπορεί να αναπηδήσει από το τεμάχιο εργασίας ή να κλοστήσει όταν το θέσετε ξανά σε λειτουργία.
- **Πρέπει να στηρίζετε τις μεγάλες πλάκες για να ελαχιστοποιείτε τον κίνδυνο να πιαστεί ο δίσκος, αλλά και το κλότσημά του.** Οι μεγάλες πλάκες τείνουν να βαθουλώνουν από το ίδιο τους το βάρος. Πρέπει να τοποθετείτε στηρίγματα κάτω από τις πλάκες, και στις δύο πλευρές, κοντά στη γραμμή κοπής και κοντά στην άκρη της πλάκας.

Για να ελαχιστοποιήσετε τον κίνδυνο πιασίματος του δίσκου και το κλότσημα. Όταν η εργασία κοπής απαιτεί να ακουμπάτε το δισκοπρίονο επάνω στο τεμάχιο εργασίας, πρέπει να ακουμπάτε το δισκοπρίονο στο μεγαλύτερο μέρος του αντικειμένου και να κόβετε το μικρότερο.

Για να αποφεύγετε το κλότσημα, να στηρίζετε τη σανίδα ή την πλάκα κοντά στο κόψιμο. (Εικ. 2).

Μη στηρίζετε τη σανίδα ή την πλάκα μακριά από το κόψιμο. (Εικ. 3).

- **Μη χρησιμοποιείτε δίσκους που δεν είναι αιχμηροί ή που είναι κατεστραμμένοι.** Οι δίσκοι που δεν είναι κοφτεροί ή που δεν έχουν ρυθμιστεί σωστά δημιουργούν στενές εγκοπές και προκαλούν μεγάλη τριβή, εμπόδιση της κίνησης του δίσκου και κλότσημα. Να διατηρείτε το δίσκο κοφτερό και καθαρό. Η κόλλα και τα πριονίσματα ξύλου που έχουν ξεραθεί επάνω στους δίσκους επιβραδύνουν το δισκοπρίονο και αυξάνουν την πιθανότητα κλοστήματος. Να καθαρίζετε το δίσκο αφού πρώτα τον βγάλετε από το εργαλείο. Καθαρίστε τον με καθαριστικό για κόλλα και πριονίσματα, ζεστό νερό ή κηροζίνη. Μη χρησιμοποιήσετε ποτέ βενζίνη.
- **Οι μοχλοί ασφάλισης του βάθους δίσκου και της ρύθμισης λοξοτομής πρέπει να είναι σφίχτα και ασφαλισμένοι πριν από το κόψιμο.** Αν η ρύθμιση του δίσκου μετακινηθεί κατά το πριόνισμα, μπορεί να εμποδιστεί η κίνηση του δίσκου και να προκληθεί κλότσημα.
- **Να είστε ιδιαίτερα προσεκτικοί όταν εκτελείτε «βαθιά κοψίματα» σε τοίχους ή άλλες περιοχές για τις οποίες δεν γνωρίζετε τη κρύβουν στο εσωτερικό τους.** Αν ο δίσκος προσέχει, μπορεί να κόψει αντικείμενα που θα προκαλέσουν το

κλότσημά του. Για βαθιά κοψίματα, μαζέψτε το κάτω προστατευτικό με τη βοήθεια της ανασυρόμενης λαβής.

- **Να κρατάτε ΠΑΝΤΑ το εργαλείο καλά και με τα δύο χέρια. ΠΟΤΕ μη τοποθετήσετε το χέρι ή τα δάκτυλά σας πίσω από το δισκοπρίονο.** Αν συμβεί κλότσημα, το δισκοπρίονο μπορεί να πεταχτεί προς τα πίσω επάνω στο χέρι σας με πιθανότητα πρόκλησης σοβαρού τραυματισμού.
  - **Μη ζορίζετε ποτέ το δισκοπρίονο. Αν ζορίζετε το δισκοπρίονο μπορεί να προκληθούν ανομοιόμορφα κοψίματα, απώλεια ακρίβειας και πιθανώς κλότσημα.** Αν στρώχνετε το δισκοπρίονο προς τα μπροστά με τέτοια ταχύτητα ώστε ο δίσκος να κόβει χωρίς να επιβραδύνει. (Εικ. 4).
10. **Ελέγξτε ότι το κάτω προστατευτικό κλείνει σωστά πριν από κάθε χρήση. Μη θέτετε σε λειτουργία το δισκοπρίονο αν το κάτω προστατευτικό δεν κινείται ελεύθερα και δεν κλείνει αμέσως. Μη συγκρατείτε και μη δένετε ποτέ το κάτω προστατευτικό στην ανοιχτή θέση.** Αν το δισκοπρίονο πέσει κατά λάθος, το κάτω προστατευτικό μπορεί να λυγίσει. Σηκώστε το κάτω προστατευτικό με τη βοήθεια της ανασυρόμενης λαβής και βεβαιωθείτε ότι κινείται ελεύθερα και δεν ακουμπά το δίσκο ή κάποιο άλλο μέρος, σε όλες τις γωνίες και βάθη κοπής. Για να ελέγξετε το κάτω προστατευτικό, ανοίξτε το κάτω προστατευτικό με το χέρι και κατόπιν αφήστε το. Παρατηρήστε εάν κλείνει. Επίσης, ελέγξτε ότι δεν ακουμπά η ανασυρόμενη λαβή στο περιβλήμα του εργαλείου. Είναι ΠΟΛΥ ΕΠΙΚΙΝΔΥΝΟ να αφήνετε το δίσκο εκτεθειμένο και μπορεί να οδηγήσει σε σοβαρό τραυματισμό.
  11. **Ελέγξτε τη λειτουργία του ελατηρίου του κάτω προστατευτικού. Αν το προστατευτικό και το ελατήριο δεν λειτουργούν σωστά, πρέπει να επισκευαστούν πριν από τη χρήση.** Το κάτω προστατευτικό μπορεί να λειτουργεί με αργό ρυθμό αν υπάρχουν κατεστραμμένα μέρη, αποθέματα κόλλας ή συσσώρευση ακαθαρσιών.
  12. **Να μαζεύετε το κάτω προστατευτικό με το χέρι μόνο για ειδικά κοψίματα, όπως «βαθιά κοψίματα» και «σύνθετα κοψίματα».** Ανεβάστε το κάτω προστατευτικό με τη βοήθεια της ανασυρόμενης λαβής και, μόλις ο δίσκος εισέλθει στο υλικό, αφήστε το κάτω προστατευτικό. Για κάθε άλλη εργασία πρινίσιατος, το κάτω προστατευτικό πρέπει να λειτουργεί αυτόματα. Για την αποφυγή του κλότσηματος, να στηρίζετε τη σανίδα ή την πλάκα κοντά στο κόψιμο. Μη στηρίζετε τη σανίδα ή την πλάκα μακριά από το κόψιμο.
  13. **Να παρατηρείτε πάντα ότι το κάτω προστατευτικό καλύπτει το δίσκο πριν τοποθετήσετε το δισκοπρίονο σε πάγκο ή στο πάτωμα.** Αν ο δίσκος δεν προστατεύεται και κινείται ελεύθερα, το δισκοπρίονο θα κινηθεί ανάποδα, κόβοντας ότι βρεθεί στο δρόμο του. Έχετε υπόψη σας το χρόνο που χρειάζεται ο δίσκος να ακινητοποιηθεί αφότου αφήσετε το διακόπτη. Πριν τοποθετήσετε κάτω το εργαλείο μετά το τέλος της κοπής, βεβαιωθείτε ότι έκλεισε το κάτω προστατευτικό και ακινητοποιήθηκε τελείως ο δίσκος.
  14. **Προσέχετε ιδιαίτερα όταν κόβετε νωπό ξύλο, ξύλο που έχει υποστεί επεξεργασία με πίεση και**

**ξύλο με κόμπους.** Ρυθμίστε την ταχύτητα του κοψίματος για να μπορείτε να προωθείτε ομαλά το εργαλείο χωρίς να μειώνετε η ταχύτητα του δίσκου.

15. **Να αποφεύγετε την κοπή καρφιών. Ελέγξτε αν υπάρχουν καρφιά και αφαιρέστε όλα τα καρφιά από το ξύλο πριν από το κόψιμο.**
16. **Τοποθετήστε το πλατύτερο τμήμα της βάσης του πριονιού σε εκείνο το τμήμα του τεμαχίου εργασίας που στηρίζεται σταθερά, και όχι στο τμήμα εκείνο που θα πέσει όταν θα εκτελεστεί η κοπή. Ως παραδείγματα, η Εικ. 5 δείχνει το ΣΩΣΤΟ τρόπο για να κόψετε την άκρη μιας σανίδας και η Εικ. 6 τον ΛΑΝΘΑΣΜΕΝΟ τρόπο. Αν το τεμάχιο εργασίας είναι κοντό ή μικρό, στερεώστε το. ΜΗΝ ΠΡΟΣΠΑΘΗΣΕΤΕ ΝΑ ΚΡΑΤΗΣΕΤΕ ΜΙΚΡΑ ΚΟΜΜΑΤΙΑ ΜΕ ΤΑ ΧΕΡΙΑ!**
17. **Ποτέ μη δοκιμάσετε να πριονίσετε όταν το δισκοπρίονο είναι στερεωμένο ανάποδα σε μια μέγκενη. Αυτό είναι εξαιρετικά επικίνδυνο και μπορεί να οδηγήσει σε σοβαρά ατυχήματα. (Εικ. 7)**
18. **Μερικά υλικά περιέχουν χημικές ουσίες που μπορεί να είναι τοξικές. Προσέχετε ώστε να αποφεύγετε την εισπνοή της σκόνης και την επαφή με το δέρμα. Ακολουθείτε τα δεδομένα ασφαλείας υλικού που παρέχονται από τον προμηθευτή.**
19. **Μη σταματάτε τους δίσκους με πλευρική πίεση στο δισκοπρίονο.**
20. **Να χρησιμοποιείτε πάντοτε δίσκους που συνιστώνται στο παρόν εγχειρίδιο. Μη χρησιμοποιείτε οποιοδήποτε λειαντικό δίσκο.**
21. **Να φοράτε προσωπίδα κατά της σκόνης και ωτοασπίδες όταν χρησιμοποιείτε το εργαλείο.**

## ΦΥΛΑΞΤΕ ΑΥΤΕΣ ΤΙΣ ΟΔΗΓΙΕΣ

### ΠΡΟΕΙΔΟΠΟΙΗΣΗ:

Η ΛΑΝΘΑΣΜΕΝΗ ΧΡΗΣΗ ή η αμέλεια να ακολουθήσετε τους κανόνες ασφαλείας που διατυπώνονται στο παρόν εγχειρίδιο οδηγιών μπορεί να προκαλέσει σοβαρό προσωπικό τραυματισμό.

## ΣΗΜΑΝΤΙΚΕΣ ΟΔΗΓΙΕΣ ΑΣΦΑΛΕΙΑΣ ΓΙΑ ΤΗΝ ΜΠΑΤΑΡΙΑ

1. Πριν χρησιμοποιήσετε την μπαταρία, διαβάστε όλες τις οδηγίες και τις ενδείξεις προφύλαξης στο (1) φορτιστή μπαταρίας, (2) την μπαταρία και (3) το προϊόν στο οποίο χρησιμοποιείται η μπαταρία.
2. Μην αποσυναρμολογείτε την μπαταρία.
3. Εάν ο χρόνος λειτουργίας της μπαταρίας είναι υπερβολικά σύντομος, διακόψτε αμέσως τη λειτουργία. Εάν συνεχίσετε, μπορεί να έχει ως αποτέλεσμα κίνδυνο υπερθέρμανσης, πιθανών εγκαυμάτων κι ακόμη έκρηξης.
4. Αν μπει στα μάτια σας ηλεκτρολύτης, ξεπλύνετε με καθαρό νερό και αναζητήστε αμέσως ιατρική βοήθεια. Μπορεί να χάσετε την όρασή σας.
5. Μη βραχυκυκλώνετε την μπαταρία:  
(1) Μην αγγίζετε τους ακροδέκτες με αγώγιμο υλικό.

(2) Μην αποθηκεύετε την μπαταρία σε δοχείο με άλλα μεταλλικά αντικείμενα, όπως καρφιά, νομίσματα, κτλ.

(3) Μην εκθέτετε την μπαταρία σε νερό ή βροχή. Αν βραχυκυκλωθεί η μπαταρία, μπορεί να προκληθεί μεγάλη ροή ηλεκτρικού ρεύματος, υπερθέρμανση, πιθανά εγκαύματα και ακόμη καταστροφή της μπαταρίας.

6. Μην αποθηκεύετε το εργαλείο και την μπαταρία σε μέρη όπου η θερμοκρασία μπορεί να φτάσει ή να ξεπεράσει τους 50°C (122°F).
7. Μην αποτεφρώνετε την μπαταρία ακόμη κι αν παρουσιάζει σοβαρή ζημιά ή είναι εντελώς φθαρμένη. Η μπαταρία μπορεί να εκραγεί σε φωτιά.
8. Να προσέχετε να μη σας πέσει η μπαταρία και να μη συγκρουστεί με κάποιο αντικείμενο.

## ΦΥΛΑΞΤΕ ΑΥΤΕΣ ΤΙΣ ΟΔΗΓΙΕΣ

### Συμβουλές για τη διατήρηση της μέγιστης ζωής της μπαταρίας

1. Να φορτίζετε την μπαταρία πριν αποφορτιστεί εντελώς. Πάντοτε να διακόπτετε τη λειτουργία του εργαλείου και να φορτίζετε την μπαταρία όταν παρατηρείται μειωμένη ισχύς του εργαλείου.
2. Ποτέ μην επαναφορτίζετε μια πλήρως φορτισμένη μπαταρία. Εάν υπερφορτίσετε την μπαταρία, μειώνεται η ωφέλιμη διάρκεια ζωής της.
3. Να φορτίζετε την μπαταρία σε θερμοκρασία δωματίου, δηλαδή στους 10°C έως 40°C (50°F έως 104°F). Αν η μπαταρία είναι θερμή, αφήστε την να ψυχθεί πριν τη φορτίσετε.

## ΠΕΡΙΓΡΑΦΗ ΛΕΙΤΟΥΡΓΙΑΣ

### ΠΡΟΣΟΧΗ:

- Να βεβαιώνετε πάντοτε ότι είναι σβηστό το εργαλείο και αφαιρέσατε την μπαταρία πριν ρυθμίσετε ή ελέγξετε κάποια λειτουργία του εργαλείου.

### Τοποθέτηση ή αφαίρεση της μπαταρίας (Εικ. 8)

- Πάντοτε να σβήνετε το εργαλείο πριν βάλετε ή βγάλετε την μπαταρία.
- Για να βγάλετε την μπαταρία, τραβήξτε την από το εργαλείο καθώς σύρετε το κουμπί στο πλαίσιο της μπαταρίας.
- Για να τοποθετήσετε την μπαταρία, ευθυγραμμίστε τη γλωττίδα στην μπαταρία με την εγκοπή στο περίβλημα και ολισθήστε τη στη θέση της. Πάντοτε να την τοποθετείτε έως το τέρμα, δηλαδή έως ότου ασφαλίσει στη θέση και ακουστεί ένας χαρακτηριστικός ήχος («κλικ»). Εάν φαίνεται το κόκκινο τμήμα στην άνω πλευρά του κουμπιού, δεν είναι πλήρως ασφαλισμένη. Εισάγετε την πλήρως για να μη φαίνεται το κόκκινο τμήμα. Σε αντίθετη περίπτωση, μπορεί να πέσει κατά λάθος από το εργαλείο και να τραυματίσει εσάς ή κάποιον παρευρισκόμενο.

- Μη χρησιμοποιείτε δύναμη όταν τοποθετείτε την μπαταρία. Αν η μπαταρία δεν ολισθαίνει με ευκολία, δεν την εισάγετε σωστά.

## Ρύθμιση του βάθους κοπής (Εικ. 9)

### ΠΡΟΣΟΧΗ:

- Μετά τη ρύθμιση του βάθους κοπής, πάντοτε να σφίγγετε καλά το μοχλό.

Χαλαρώστε το μοχλό στην πλευρά της πίσω λαβής και μετακινήστε τη βάση προς τα πάνω ή προς τα κάτω. Στο επιθυμητό βάθος κοπής, ασφαλίστε τη βάση σφίγγοντας το μοχλό.

Για καλύτερο και ασφαλέστερο κόψιμο, ρυθμίστε το βάθος κοπής ώστε μόνο ένα δόντι του δίσκου να προεξέχει κάτω από το τεμάχιο εργασίας. Η χρήση κατάλληλου βάθους κοπής συμβάλλει στη μείωση της πιθανότητας επικίνδυνου ΚΛΟΤΣΗΜΑΤΟΣ που μπορεί να προκαλέσουν τραυματισμό.

## Λοξοτομή (Εικ. 10 και 11)

Ξεοφίτε το μοχλό στη βαθμολογημένη κλίμακα λοξοτομής που βρίσκεται στην μπροστινή βάση. Ρυθμίστε την επιθυμητή γωνία (0° έως 50°) δίνοντας την κατάλληλη κλίση και έπειτα σφίξτε καλά το μοχλό. Χρησιμοποιήστε το στοπ 45° όταν θέλετε να κάνετε μια κοπή ακριβώς 45°. Γυρίστε το στοπ πλήρως αριστερόστροφα για λοξές κοπές (0° έως 45°) και γυρίστε το δεξιόστροφα για λοξές κοπές 0° έως 50°.

## Επίβλεψη (Εικ. 12)

Για ευθείες κοπές, ευθυγραμμίστε τη θέση Α στο μπροστινό μέρος της βάσης με τη γραμμή κοπής. Για λοξοτομές 45°, ευθυγραμμίστε τη θέση Β με αυτήν.

## Δράση διακόπτη (Εικ. 13)

### ΠΡΟΣΟΧΗ:

- Πριν βγάλετε την μπαταρία στο εργαλείο, πάντοτε να ελέγχετε ότι η σκανδάλη-διακόπτης ενεργοποιείται κανονικά και επιστρέφει στη θέση OFF όταν την αφήνετε.
- Μην τραβάτε τη σκανδάλη με βία χωρίς να πατάτε το μοχλό ασφάλισης. Θα σπάσει ο διακόπτης.

Για να μην πιέζεται η σκανδάλη-διακόπτης κατά λάθος, παρέχεται ένας μοχλός ασφάλισης. Για να ξεκινήσετε τη λειτουργία του εργαλείου, πιέστε το μοχλό ασφάλισης και τραβήξτε τη σκανδάλη διακόπτη. Για να σταματήσετε, αφήστε τη σκανδάλη-διακόπτη.

### ΠΡΟΕΙΔΟΠΟΙΗΣΗ:

- Για την ασφάλεια σας, το εργαλείο αυτό παρέχεται με μοχλό ασφάλισης το οποίο αποτρέπει την εκκίνηση του εργαλείου κατά λάθος. Μη χρησιμοποιείτε ΠΟΤΕ το εργαλείο αν μπορείτε να το θέσετε σε λειτουργία πιέζοντας απλά τη σκανδάλη διακόπτη, χωρίς να τραβάτε και το μοχλό ασφάλισης. Στείλτε το εργαλείο σε κέντρο εξυπηρέτησης της MAKITA για να το επισκευάσουν σωστά PRIN το χρησιμοποιήσετε ξανά.
- ΠΟΤΕ μην κολλάτε το μοχλό ασφάλισης στην πατημένη θέση του και ΠΟΤΕ μην παρακάμπετε το σκοπό του μοχλού ασφάλισης.

## Αναμμα της λάμπας

### ΠΡΟΣΟΧΗ:

- Μην κοιτάτε κατευθείαν μέσα στο φως ή στην πηγή φωτός.

Για να ανάψετε τη λάμπα μόνο, πατήστε τη σκανδάλη-διακόπη χωρίς να πατάτε το μοχλό ασφάλισης. Για να ανάψετε τη λάμπα και να θέσετε σε λειτουργία το εργαλείο, πατήστε το μοχλό ασφάλισης και πατήστε τη σκανδάλη-διακόπη με το μοχλό ασφάλισης πατημένο.

### ΠΑΡΑΤΗΡΗΣΗ:

- Χρησιμοποιήστε ένα στεγνό πανί για να σκουπίσετε τη σκόνη από το φακό της λάμπας. Προσέχετε να μη γρατσουνίσετε το φακό της λάμπας, επειδή μπορεί να μειωθεί η ένταση του φωτισμού.
- Μη χρησιμοποιείτε βενζίνη, νέφτι ή παρόμοια υλικά για να καθαρίσετε το φακό της λάμπας. Αν χρησιμοποιήσετε τέτοιες ουσίες, θα καταστρέψετε το φακό.

## ΣΥΝΑΡΜΟΛΟΓΗΣΗ

### ΠΡΟΣΟΧΗ:

- Να βεβαιώνετε πάντοτε ότι το εργαλείο είναι σβηστό και αποσυνδεδεμένο από το ηλεκτρικό ρεύμα πριν εκτελέσετε οποιαδήποτε εργασία σε αυτό.

## Αφαίρεση ή τοποθέτηση του δίσκου

### ΠΡΟΣΟΧΗ:

- Βεβαιωθείτε ότι ο δίσκος είναι τοποθετημένος με τα δόντια στραμμένα προς τα πάνω στο μπροστινό μέρος του εργαλείου.
- Να χρησιμοποιείτε μόνο το παρεχόμενο κλειδί της Makita για να τοποθετήσετε ή για να αφαιρέσετε το δίσκο.

Για να αφαιρέσετε το δίσκο, πιέστε το κλειδί με άξονα ώστε να μην μπορεί να περιστραφεί ο δίσκος και χρησιμοποιήστε το κλειδί για να χαλαρώσετε το εξαγωνικό μπουλόνι γυρίζοντάς το δεξιόστροφα. Κατόπιν, αφαιρέστε το εξαγωνικό μπουλόνι, την εξωτερική φλάντζα και το δίσκο. **(Εικ. 14)**

Για να τοποθετήσετε το δίσκο, ακολουθήστε τη διαδικασία αφαίρεσης με αντίστροφη σειρά. **ΒΕΒΑΙΩΘΕΙΤΕ ΝΑ ΣΦΙΞΕΤΕ ΚΑΛΑ ΤΟ ΕΞΑΓΩΝΙΚΟ ΜΠΟΥΛΟΝΙ ΓΥΡΙΖΟΝΤΑΣ ΤΟ ΑΡΙΣΤΕΡΟΣΤΡΟΦΑ.**

Όταν αλλάζετε δίσκους, βεβαιωθείτε να καθαρίσετε επίσης το πάνω και κάτω προστατευτικό δίσκου από συσσωρευμένο προνιόδι. Ωστόσο, οι ενέργειες αυτές δεν αντικαθιστούν την ανάγκη να ελέγχετε τη λειτουργία του κάτω προστατευτικού πριν από κάθε χρήση. **(Εικ. 15)**

## Αποθήκευση εξαγωνικού άλεν (Εικ. 16)

Όταν δεν χρησιμοποιείτε το εξαγωνικό άλεν, αποθηκεύστε το, όπως απεικονίζεται, για να μην το χάσετε.

## Σύνδεση ηλεκτρικής σκούπας (Εικ. 17 και 18)

Όταν θέλετε να εκτελέσετε καθαρές κοπές, συνδέστε την ηλεκτρική σκούπα της Makita στο εργαλείο που διαθέτετε. Τοποθετήστε το στόμιο σκόνης στο εργαλείο με τη βοήθεια της βίδας.

Κατόπιν συνδέστε τον εύκαμπο σωλήνα της ηλεκτρικής σκούπας στο στόμιο σκόνης, όπως απεικονίζεται.

## ΛΕΙΤΟΥΡΓΙΑ (Εικ. 19)

### ΠΡΟΣΟΧΗ:

- Να εισάγετε πάντοτε την μπαταρία έως το τέρμα, μέχρι να ασφαλίσει στη θέση της. Εάν φαίνεται το κόκκινο τμήμα στην άνω πλευρά του κουμμπιού, δεν είναι πλήρως ασφαλισμένη. Εισάγετέ την πλήρως για να μη φαίνεται το κόκκινο τμήμα. Σε αντίθετη περίπτωση, μπορεί να πέσει κατά λάθος από το εργαλείο και να τραυματίσει εσάς ή κάποιον παρευρισκόμενο.
- Βεβαιωθείτε να μετακινήτε ομαλά το εργαλείο προς τα μπροστά σε ευθεία γραμμή. Αν πιέσετε ή συστρέψετε το εργαλείο, θα έχει ως αποτέλεσμα την υπερθέρμανση του μοτέρ και επικίνδυνο κλότσημα, που πιθανώς να προκαλέσει σοβαρό τραυματισμό.
- Αν το εργαλείο λειτουργεί συνεχόμενα έως ότου αποφορτιστεί η μπαταρία, αφήστε το εργαλείο σβηστό για 15 λεπτά πριν συνεχίσετε την εργασία με καινούργια μπαταρία.

Να κρατάτε το εργαλείο σταθερά. Το εργαλείο παρέχεται με μπροστινή και πίσω λαβή.

Να χρησιμοποιείτε και τις δύο λαβές για να έχετε καλύτερο κράτημα του εργαλείου. Αν κρατάτε το δισκοπρίονο και με τα δύο χέρια, δεν είναι δυνατό να κοπούν από το δίσκο. Θέστε τη βάση στο τεμάχιο εργασίας που πρόκειται να κοπεί χωρίς ο δίσκος να ακουμπήσει καθόλου. Κατόπιν, ανάψτε το εργαλείο και περιμένετε έως ότου ο δίσκος να αποκτήσει την πλήρη ταχύτητα του. Τώρα, απλά μετακινήστε το εργαλείο προς τα εμπρός πάνω στην επιφάνεια του τεμαχίου εργασίας, κρατώντας το επίπεδο και προωθώντας το ομαλά μέχρι να ολοκληρωθεί η κοπή.

Για να πετύχετε καθαρές κοπές, κρατήστε τη γραμμή κοπής ευθεία και την ταχύτητα προώθησης σταθερή. Αν το κόψιμο δεν ακολουθήσει σωστά την προοριζόμενη γραμμή κοπής, μην επιχειρήσετε να γυρίσετε ή να πιέσετε το εργαλείο ξανά στη γραμμή κοπής. Μπορεί να προκαλέσει το πιάσιμο του δίσκου και να οδηγήσει σε επικίνδυνο κλότσημα και πιθανώς σοβαρό τραυματισμό. Αφήστε το διακόπη, περιμένετε να ακινητοποιηθεί ο δίσκος και κατόπιν αποσύρετε το εργαλείο. Ευθυγραμμίστε ξανά το εργαλείο σε καινούργια γραμμή κοπής και ξεκινήστε ξανά το κόψιμο. Προσπαθήστε να αποφύγετε μια θέση που αφήνει εκτεθειμένο το χεριστόι σε θραύσματα και προνιόδια που εκτοξεύονται από το δισκοπρίονο. Χρησιμοποιήστε προστασία ματιών για την αποφυγή τραυματισμού.

## Οδηγός κομματιού (Οδηγός χάρακας) (Εικ. 20)

Ο πρακτικός οδηγός κομματιού σας επιτρέπει να κάνετε ευθείες κοπές με μεγάλη ακρίβεια. Απλά ολισθήστε τον οδηγό κομματιού εφαρμοστά επάνω στη πλευρά του τεμαχίου εργασίας και ασφαλίστε τον στην κατάλληλη θέση με τη βίδα στο μπροστινό μέρος της βάσης. Αυτό κάνει επίσης δυνατή την επαναλαμβάνόμενη και ομοιόμορφη κοπή κομματιών ίδιου πλάτους.



# ΣΥΝΤΗΡΗΣΗ

## ΠΡΟΣΟΧΗ:

- Να βεβαιώνετε πάντοτε ότι το εργαλείο είναι σβηστό και έχετε αφαιρέσει την μπαταρία πριν εκτελέσετε οποιαδήποτε εργασία ελέγχου ή συντήρησης σε αυτό.

## Ρύθμιση για ακρίβεια κοπής 90° και 45°(κάθετη κοπή και κοπή 45°) (Εικ. 21 και 22)

Αυτή η ρύθμιση έχει γίνει στο εργοστάσιο. Εάν όμως απορρυθμιστεί, μετακινήστε τις βίδες ρύθμισης με τη βοήθεια εξαγωνικού άλεν ενώ ελέγχετε ότι η κλίση μεταξύ της βάσης και του δίσκου είναι 90° ή 45° με τη χρήση γεωμετρικού τριγώνου, τετραγώνου χάρακα κτλ.

## Αλλαγή καρβουνακίων

Να αφαιρείτε και να ελέγχετε τακτικά τα καρβουνάκια. Αντικαταστήστε τα όταν έχουν φθαρεί έως την ένδειξη ορίου. Να διατηρείτε τα καρβουνάκια καθαρά και ελεύθερα για να γλιστρούν στις υποδοχές. Πρέπει να αλλάζετε ταυτόχρονα και τα δύο καρβουνάκια. Να χρησιμοποιείτε μόνο καρβουνάκια ίδιου τύπου. (Εικ. 23)

Με τη βοήθεια ενός κατσαβιδιού, βγάλτε τα καπάκια της υποδοχής για τα καρβουνάκια. Βγάλτε τα φθαρμένα καρβουνάκια, τοποθετήστε τα καινούργια και ασφαλίστε τα καπάκια της υποδοχής για τα καρβουνάκια. (Εικ. 24)

Για να διατηρείται η ΑΣΦΑΛΕΙΑ και η ΑΞΙΟΠΙΣΤΙΑ του προϊόντος, οι εργασίες επισκευής, καθώς και οποιαδήποτε άλλη εργασία συντήρησης ή ρύθμισης, θα πρέπει να εκτελούνται σε εξουσιοδοτημένα κέντρα εξυπηρέτησης της Makita, και πάντοτε με τη χρήση ανταλλακτικών της Makita.

## ΑΞΕΣΟΥΑΡ

### ΠΡΟΣΟΧΗ:

- Συνιστάται η χρήση των παρακάτω αξεσουάρ και εξαρτημάτων με το εργαλείο της Makita μόνο όπως καθορίζεται στο παρόν εγχειρίδιο. Αν χρησιμοποιήσετε άλλα αξεσουάρ ή εξαρτήματα μπορεί να παρουσιαστεί κίνδυνος για πρόκληση ατομικού τραυματισμού. Να χρησιμοποιείτε τα αξεσουάρ και τα εξαρτήματα μόνο για το σκοπό για τον οποίο προορίζονται.

Αν χρειάζεστε κάποια βοήθεια ή περισσότερες πληροφορίες σχετικά με τα αξεσουάρ αυτά, απευθυνθείτε στο πλησιέστερο κέντρο εξυπηρέτησης της Makita.

- Δίσκοι
- Οδηγός κομματιού (Οδηγός χάρακα)
- Εξαγωνικό άλεν 5
- Διάφοροι τύποι γνήσιων μπαταριών και φορτιστών της Makita
- Στόμιο σκόνης

## ENGLISH

### EC-DECLARATION OF CONFORMITY

We declare under our sole responsibility that this product is in compliance with the following standards of standardized documents, EN60745, EN55014 in accordance with Council Directives, 89/336/ EEC, 98/37/EC.

## ITALIANO

### CE-DICHIARAZIONE DI CONFORMITÀ

Si dichiara, sotto la propria diretta responsabilità, la conformità di questo prodotto con i seguenti standard: EN60745, EN55014 in conformità con le direttive del Consiglio, 89/336/ EEC, 98/37/EC.

## FRANÇAIS

### DÉCLARATION DE CONFORMITÉ CE

Nous déclarons, sous notre entière responsabilité, que ce produit répond aux normes suivantes de documents normalisés EN60745, EN55014, conformément aux Directives du Conseil 89/336/CEE et 98/37/CE.

## NEDERLANDS

### EU-VERKLARING VAN CONFORMITEIT

Wij verklaren onder eigen verantwoordelijkheid dat dit product voldoet aan de normen van de volgende documenten, EN60745, EN55014 in overeenstemming met de richtlijnen van de Raad, 89/336/ EEC en 98/37/EC.

## DEUTSCH

### EG-KONFORMITÄTSERKLÄRUNG

Wir erklären unter unserer alleinigen Verantwortlichkeit, dass sich dieses Produkt in Übereinstimmung mit den folgenden Normen der Normdokumente EN60745, EN55014 befindet sowie in Übereinstimmung mit den Ratsverordnungen 89/336/ EEC und 98/37/EC.

## ESPAÑOL

### DECLARACIÓN DE CONFORMIDAD DE LA CE

Declaramos bajo nuestra exclusiva responsabilidad que este producto cumple con los siguientes estándares de documentos estandarizados, EN60745, EN55014 de acuerdo con las directivas del Consejo, 89/336/ EEC, 98/37/EC.

Yasuhiko Kanzaki CE 2005



Director	Amministratore
Directeur	Directeur
Direktor	Director

### MAKITA INTERNATIONAL EUROPE LTD.

Michigan Drive, Tongwell, Milton Keynes,  
Bucks MK15 8JD, ENGLAND

Responsible manufacturer:	Produttore responsabile:
Fabricant responsable :	Verantwoordelijke fabrikant:
Verantwortlicher Hersteller:	Fabricante responsable:

Makita Corporation Anjo Aichi Japan

## PORTUGUÊS

### DECLARAÇÃO DE CONFORMIDADE DA CE

Declaramos, sob a nossa única responsabilidade, que este produto obedece às seguintes normas de documentos normalizados, EN60745, EN55014 de acordo com as Directivas do Conselho, 89/336/ EEC, 98/37/EC.

## DANSK

### EU-ERKLÆRING VEDRØRENDE OVERHOLDELSE AF STANDARDER

Vi erklærer og tager det fulde ansvar for, at produktet overholder følgende standarder i standardiseringsdokumenterne EN60745, EN55014 i overensstemmelse med Rådets direktiver 89/336/EØF, 98/37/EØF.

## SVENSKA

### EG - FÖRSÄKRAN OM ÖVERENSSTÄMMELSE

Vi försäkrar att denna produkt överensstämmer med följande standarder för standardiserade dokument EN60745, EN55014 enligt Rådets direktiv 89/336/ EEC, 98/37/EC.

## NORSK

### EF-SAMSVARSERKLÆRING

Vi tar det hele og fulle ansvar for at dette produktet samsvarer med følgende standarder: EN60745, EN55014 i overensstemmelse med Rådsdirektivene 89/336/EØF og 98/37/EF.

## SUOMI

### EY-VAATIMUSTENMUKAISUUSVAKUUTUS

Vakuutamme omalla vastuullamme, että tämä tuote täyttää standardoitujen asiakirjojen seuraavat normit: EN60745, EN55014 Neuvoston direktiivien 89/336/EY, 98/37/EY mukaisesti.

## ΕΛΛΗΝΙΚΑ

### ΕΕ-ΔΗΛΩΣΗ ΣΥΜΜΟΡΦΩΣΗΣ

Δηλώνουμε υπεύθυνα ότι το προϊόν αυτό συμμορφώνεται με τα ακόλουθα πρότυπα ή τυποποιημένα έγγραφα, EN60745, EN55014 σύμφωνα με τις Οδηγίες της Επιτροπής, 89/336/ΕΟΚ, 98/37/ΕΕ.

Yasuhiko Kanzaki CE 2005



Director  
Direktør  
Direktör

Direktor  
Johtaja  
Διευθυντής

## MAKITA INTERNATIONAL EUROPE LTD.

Michigan Drive, Tongwell, Milton Keynes,  
Bucks MK15 8JD, ENGLAND

Fabricante responsável:  
Ansvarlig fabrikant:  
Ansvarig tillverkare:

Ansvarlig produsent:  
Vastaava valmistaja:  
Υπεύθυνος κατασκευαστής:

Makita Corporation Anjo Aichi Japan

## ENGLISH

### For European countries only

#### Noise and Vibration

The typical A-weighted noise levels are

sound pressure level: 90 dB (A)

sound power level: 101 dB (A)

Uncertainty: 3 dB(A)

- Wear ear protection. -

The typical weighted root mean square acceleration value is not more than 2.5 m/s<sup>2</sup>.

These values have been obtained according to EN60745.

## FRANÇAIS

### Pour l'Europe uniquement

#### Bruit et vibration

Les niveaux de bruit pondérés A typiques sont

niveau de pression sonore : 90 dB (A)

niveau de puissance sonore : 101 dB (A)

Incertitude: 3 dB(A)

- Portez des protections d'oreilles. -

La valeur d'accélération quadratique pondérée typique est 2,5 m/s<sup>2</sup>.

Ces valeurs ont été obtenues selon EN60745.

## DEUTSCH

### Nur für europäische Länder

#### Geräusche und Vibrationen

Die typischen effektiven Geräuschpegel betragen für

Schalldruck: 90 dB (A)

Schalleistung: 101 dB (A)

Die Abweichung beträgt: 3 dB(A)

- Tragen Sie einen Gehörschutz. -

Der typische effektive Beschleunigungswert beträgt höchstens 2,5 m/s<sup>2</sup>.

Diese Werte wurden entsprechend der Norm EN60745 gewonnen.

## ITALIANO

### Solo per i paesi europei

#### Rumore e vibrazioni

I tipici livelli di rumore ponderati "A" sono

livello di pressione sonora: 90 dB (A)

livello di potenza sonora: 101 dB (A)

Variazione: 3 dB(A)

- Indossare una protezione acustica. -

In genere, il valore efficace ponderato dell'accelerazione non supera i 2,5 m/s<sup>2</sup>.

Questi valori sono stati ottenuti in conformità con la norma EN60745..

## NEDERLANDS

### Alleen voor Europese landen

#### Geluid en trillingen

De typische, A-gewogen geluidsniveaus zijn

geluidsdruk-niveau: 90 dB (A)

geluidsvermogen-niveau: 101 dB (A)

Afwijking: 3 dB(A)

- Draag gehoorbescherming. -

De typisch, gewogen, kwadratisch-gemiddelde versnellingswaarde is niet hoger dan 2,5 m/s<sup>2</sup>.

Deze waarden zijn verkregen volgens EN60745.

## ESPAÑOL

### Sólo para los países europeos

#### Ruido y vibración

Los niveles típicos de ruido ponderado A son

nivel de presión sonora: 90 dB (A)

nivel de potencia sonora: 101 dB (A)

Incertidumbre: 3 dB(A)

- Utilice protección para los oídos. -

El valor ponderado de aceleración no es superior a 2,5 m/s<sup>2</sup>.

Estos valores se han obtenido conforme a EN60745.

Yasuhiko Kanzaki CE 2005

Director

Directeur

Direktor

Amministratore

Directeur

Director

## MAKITA INTERNATIONAL EUROPE LTD.

Michigan Drive, Tongwell, Milton Keynes,  
Bucks MK15 8JD, ENGLAND

Responsible manufacturer:

Fabricant responsable :

Verantwortlicher Hersteller:

Produttore responsabile:

Verantwoordelijke fabrikant:

Fabricante responsable:

Makita Corporation Anjo Aichi Japan

## PORTUGUÊS

### Só para os países europeus

#### Ruído e vibração

Os níveis de ruído típicos ponderados A são

nível de pressão sonora: 90 dB (A)

nível de potência sonora: 101 dB (A)

Incerteza: 3 dB(A)

- Use protecções para os ouvidos. -

O valor típico de aceleração de raiz quadrada média ponderada não é superior a  $2,5 \text{ m/s}^2$ .

Estes valores foram obtidos de acordo com a norma EN60745.

## DANSK

### Kun for lande i Europa

#### Støj og Vibration

De typiske A-vægtede støjniveauer er

lydtryksniveau: 90 dB (A)

lydkraftniveau: 101 dB (A)

Usikkerhed: 3 dB(A)

- Bær høreværn. -

Den typiske vægtede effektive accelerationsværdi er ikke over  $2,5 \text{ m/s}^2$ .

Disse værdier er målt i overensstemmelse med EN60745.

## SVENSKA

### Endast för länder i Europa

#### Buller och vibration

Typiska A-vägda bullernivåer är

ljudtrycksnivå: 90 dB (A)

ljudeffektsnivå: 101 dB (A)

Måttolerans: 3 dB(A)

- Använd hörselskydd. -

Typiskt vägt effektivvärde för accelerationen är inte mer än  $2,5 \text{ m/s}^2$ .

Dessa värden är inhämtade i enlighet med EN60745.

## NORSK

### Gjelder bare land i Europa

#### Støy og vibrasjoner

Typisk A-vektede lydtryknivåer er

Lydtryknivå: 90 dB (A)

Lydeffektnivå: 101dB (A)

Usikkerhet: 3 dB(A)

- Bruk hørselvern. -

Typisk vektet kvadratisk middelværdi av akselerasjonen er ikke mer enn  $2,5 \text{ m/s}^2$ .

Disse verdiene er fremkommet i samsvar med EN60745.

## SUOMI

### Vain Euroopan maat

#### Melu ja värinä

Tyypilliset A-painotetut melutasot ovat

äänenpainetaso: 90 dB (A)

äänien tehotoso: 101 dB (A)

Virhemarginaali: 3 dB(A)

- Käytä kuulosuojaimia. -

Tyypillinen painotettu tehollisarvo on korkeintaan  $2,5 \text{ m/s}^2$ .

Nämä arvot on saatu standardin EN60745 mukaisesti.

## ΕΛΛΗΝΙΚΑ

### Για ευρωπαϊκές χώρες μόνο

#### Θόρυβος και κραδασμός

Το σύνηθες σταθμισμένο επίπεδο θορύβου είναι

επίπεδο ηχητικής πίεσης: 90 dB (A)

επίπεδο ηχητικής πίεσης: 101 dB (A)

Αβεβαιότητα: 3 dB(A)

- Να φοράτε ωτοασπίδες. -

Η συνηθής σταθμισμένη μέση τετραγωνική ρίζα της τιμής επιτάχυνσης δεν υπερβαίνει τα  $2,5 \text{ m/s}^2$ .

Οι τιμές αυτές έχουν ληφθεί σύμφωνα με το πρότυπο EN60745.

Yasuhiko Kanzaki CE 2005

Director

Direktør

Direktör

Direktor

Johtaja

Διευθυντής

## MAKITA INTERNATIONAL EUROPE LTD.

Michigan Drive, Tongwell, Milton Keynes,  
Bucks MK15 8JD, ENGLAND

Fabricante responsável::

Ansvarlig fabrikant:

Ansvarig tillverkare:

Ansvarlig produsent:

Vastaava valmistaja:

Υπεύθυνος κατασκευαστής:

Makita Corporation Anjo Aichi Japan





Makita Corporation  
Anjo, Aichi, Japan

884641A995